

# Automated lights

## **SL BEAM 500fx**

Pumping up the performance of the SL BEAM range, the Showline SL BEAM 500fx is a superb moving-head luminaire that delivers an exceptional output from its 37 RGBW LEDs. Just like its partner in this category, the SL BEAM 500fx is fast and quiet and extremely versatile.

The effective precision optical design allows the SL BEAM 500fx to function as a beam and as a wash luminaire. However, where the luminaire really stands out is through its individual pixel mapping and animation, together with a rotating front lens for multi-beam effects.

# Product data



## Features and benefits

- 15,500 lumens of output.
- Crisp tightly collimated beam.
- Powerful blended washes of color.
- Large aperture front lens with 37 fused optics.
- Create entrancing fluid lighting effects with the rotating lens and effects wheel.
- Configure remotely via RDM, or locally through the comprehensive Showline LCD menu system.
- Choice of DMX512-A control via 5 pin XLRs or over Ethernet.
- Pattern mode with 32 dynamic moving animations
- Two year limited warranty.

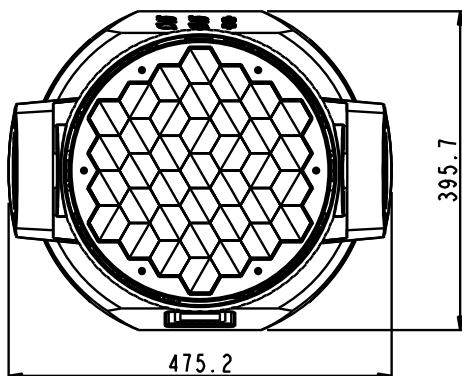
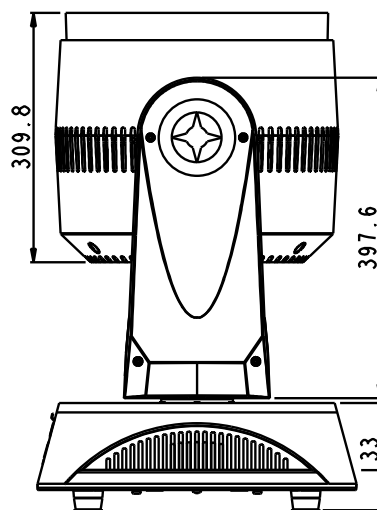
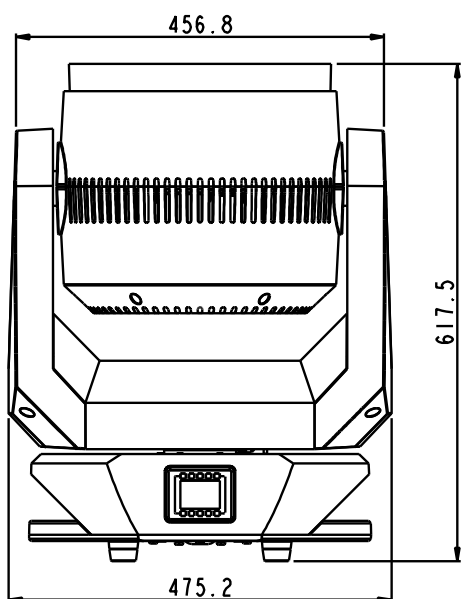
Source	RGBW LED
Qty of LED cells	37
Lumen output (max.)	15,500
Wattage	1200W
Color temperature	2700-5800K
CRI	>90
Color mixing	RGBW
Beam angle	5-36°
Pan / tilt	540° / 220°
Controls	DMX512-A / RDM, Art-Net™, master / slave
Pixel / zone control	Pixel control
DMX modes	HSIC, simple 8-bit RGBW, 8-bit RGBW, 16-bit RGBW, pattern
Dimming	Electronic 8 and 16-bit
Macro effects	Pre-set filter colors, color chases, strobe and duration control
Accessories	–
Operating voltage	100-240VAC
IP rating	IP20
Operating temperature	-20-40°C
Construction	Metal frame and engineering plastic covers
Finish	Black
Dimensions L x H x W	475 x 605 x 396mm (18.7 x 23.8 x 15.6in)
Hanging centers	620mm (24.4in)
Weight	29.0kg (64.0lb)
Warranty	2 years

# Product data

## Philips Showline SL BEAM 500fx

Color temp	CRI	Wattage	Beam	Overall dimensions W x H x D	Weight	Order Code
RGBW LED	>90	1200W	5-36°	475 x 605 x 396mm (18.7 x 23.8 x 15.6in)	29.0kg (64.0lb)	88-095-6902-36

# Dimensional drawing





© Philips Lighting Holding B.V. 2017. All rights reserved. Philips reserves the right to make changes in specification and/or to discontinue any product at any time without notice or obligation and will not be liable for any consequences resulting from the use of this publication.

04/2017

Data subject to change. All measurements quoted primarily in millimeters.

[philips.com/showline](http://philips.com/showline)