

**PHILIPS**

# Strand Lighting

300S Softlight 3100K/5600K  
LED Luminaire



# Strand Lighting Offices

Philips Strand Lighting - Dallas  
10911 Petal Street  
Dallas, TX 75238  
Tel: 214-647-7880  
Fax: 214-647-8031

Philips Strand Lighting - Auckland  
19-21 Kawana Street  
Northcote, Auckland 0627  
New Zealand  
Tel: +64 9 481 0100  
Fax: +64 9 481 0101

Philips Strand Lighting - New York  
267 5th Ave, 4th Floor  
New York, NY 10016  
Tel: 212-213-8219  
Fax: 212-532-2593

Philips Strand Lighting - Europe  
Marssteden 152  
Enschede 7547 TD  
The Netherlands  
Tel: +31 53 4500424  
Fax: +31 53 4500425

Philips Strand Lighting - Asia Limited  
Room 6-10, 20/F Delta House 3 On Yiu Street  
Shatin, N.T. Hong Kong  
Tel: + 852 2757 3033  
Fax: + 852 2757 1767

Website :  
[www.strandlighting.com](http://www.strandlighting.com)

The material in this manual is for information purposes only and is subject to change without notice. Strandlighting assumes no responsibility for any errors or omissions which may appear in this manual. For comments and suggestions regarding corrections and/or updates to this manual, please contact your nearest Strandlighting office.

El contenido de este manual es solamente para información y está sujeto a cambios sin previo aviso. Strandlighting no asume responsabilidad por errores o omisiones que puedan aparecer. Cualquier comentario, sugerencia o corrección con respecto a este manual, favor de dirijirlo a la oficina de Strandlighting más cercana.

Der Inhalt dieses Handbuchs ist nur für Informationszwecke gedacht, Aenderungen sind vorbehalten. Strandlighting uebernimmt keine Verantwortung für Fehler oder Irrtuemer, die in diesem Handbuch auftreten. Für Bemerkungen und Verbesserungsvorschlaege oder Vorschlaege in Bezug auf Korrekturen und/oder Aktualisierungen in diesem Handbuch, moechten wir Sie bitten, Kontakt mit der naechsten Strandlighting-Niederlassung aufzunehmen.

Le matériel décrit dans ce manuel est pour information seulement et est sujet à changements sans préavis. La compagnie Strandlighting n'assume aucune responsabilité sur toute erreur ou omission inscrite dans ce manuel. Pour tous commentaires ou suggestions concernant des corrections et/ou les mises à jour de ce manuel, veuillez s'il vous plait contacter le bureau de Strandlighting le plus proche.

---

## Notes:

1. Information contained in this document may not be duplicated in full or in part by any person without prior written approval of Strandlighting. its sole purpose is to provide the user with conceptual information on the equipment mentioned. The use of this document for all other purposes is specifically prohibited.
  2. If the external flexible cable or cord of this luminaire is damaged, it shall be replaced by a special cord or cord exclusively available from the manufacturer or his service agent.
  3. The light source contained in this luminaire shall only be replaced by the manufacturer or his service agent or a similar qualified person.
  4. For controllable luminaires the classification of insulation that has been maintained between LV supply and control conductors shall be provided. E.g. basic insulation, reinforced insulation.
  5. Terminal block not included. Installation may require advice from a qualified person.
- 

Document Number: **300S Softlight LED Luminaires Users**

Version as of: 24-004-3801-01 Rev1.1

300S Softlight LED Luminaire Installation & User's Manual

©2016 Philips Group. All rights reserved.

# IMPORTANT INFORMATION

## Warnings and Notices

When using electrical equipment, basic safety precautions should always be followed including the following:



**a. READ AND FOLLOW ALL SAFETY INSTRUCTIONS**

- b. Do not use outdoors.
- c. Do not mount near gas or electric heaters.
- d. Equipment should be mounted in locations and at heights where it will not readily be subjected to tampering by unauthorized personnel.
- e. The use of accessory equipment not recommended by the manufacturer may cause an unsafe condition.
- f. Do not use this equipment for other than intended use.
- g. Refer service to qualified personnel.

**SAVE THESE INSTRUCTIONS.**



**WARNING:** You must have access to a main circuit breaker or other power disconnect device before installing any wiring. Be sure that power is disconnected by removing fuses or turning the main circuit breaker off before installation. Installing the device with power on may expose you to dangerous voltages and damage the device. A qualified electrician must perform this installation.

**WARNING:** Refer to National Electrical Code® and local codes for cable specifications. Failure to use proper cable can result in damage to equipment or danger to personnel.

**WARNING:** This equipment is intended for installation in accordance with the National Electric Code® and local regulations. It is also intended for installation in indoor applications only. Before any electrical work is performed, disconnect power at the circuit breaker or remove the fuse to avoid shock or damage to the control. It is recommended that a qualified electrician perform this installation.



**WARNING!** Remove all power from luminaire before installing lamp or performing any service. **THE LUMINAIRE PRODUCES EXTREME HEAT AND CAN BURN IF TOUCHED WITH BARE HANDS.** Allow unit to cool before servicing. Only use specified / approved lamps at the correct voltage with luminaire.

## Additional Resources for DMX512

For more information on installing DMX512 control systems, the following publication is available for purchase from the United States Institute for Theatre Technology (USITT), "Recommended Practice for DMX512: A Guide for Users and Installers, 2nd edition" (ISBN: 9780955703522). USITT Contact Information:

**USITT**  
**6443 Ridings Road**  
**Syracuse, NY 13206-1111 USA**  
**1-800-93USITT**  
**www.usitt.org**

## Philips Strand Lighting Limited Two-Year Warranty

Philips Strand Lighting offers a two-year limited warranty of its luminaires against defects in materials or workmanship from the date of delivery. A copy of Philips Strand Lighting two-year limited warranty containing specific terms and conditions can be obtained from the Philips Strand Lighting web site at [www.strandlighting.com](http://www.strandlighting.com) or by contacting your local Philips Strand Lighting office.

# TABLE OF CONTENTS

Safety Information .....	Inside Front Cover
<b>IMPORTANT INFORMATION</b>	
Warnings and Notices.....	1
<b>TABLE OF CONTENTS</b>	
<b>PREFACE</b>	
About this Manual .....	3
Product Descriptions.....	3
300S Softlight LED Luminaires.....	3
ACCESSORIES.....	3
<b>300S Softlight LED LUMINAIRE OVERVIEW</b>	
Major Components.....	4
<b>300S Softlight LED LUMINAIRE LCD Display/Menu System</b>	
LCD Display/Menu System.....	5
<b>INSTALLATION AND SET UP</b>	
Power Requirements.....	6
Connecting Power.....	6
Connecting 300S Softlight LED Luminaires to AC Power .....	7
Connecting to the DMX512 Network.....	8
Mounting Luminaires.....	9
<b>OPERATION AND PROGRAM</b>	
LCD Display and Menu System .....	10
LCD Display and Menu System Operation .....	10
Menu Structure .....	11
Button Functions .....	12
Dimming Curve Selection.....	13
<b>DMX Control</b>	
Simplify 8-bit .....	14
Basic 8-bit .....	14
Basic 16-bit .....	14
<b>300S Softlight LED Luminaire RDM Parameter IDs</b>	
300S 5600k LED Luminaire RDM Parameter IDs .....	15
300S 3100k LED Luminaire RDM Parameter IDs .....	19
<b>MAINTENANCE AND CARE</b>	
Special Cleaning Care Instruction .....	23
Front Diffusers Cleaning .....	23
Service and Maintenance .....	23
Accessories .....	24
Installation of Accessories .....	25
<b>FEATURES AND SPECIFICATIONS</b>	
300S Softlight Technical Specification .....	26
300S Softlight Dimensions .....	27

# PREFACE

## 1. About this Manual

The document provides installation and operation instructions for the following products:

- 300S SOFTLIGHT 3100K AC100-240V/DC23-36V MO
- 300S SOFTLIGHT 3100K AC100-240V/DC23-36V PO
- 300S SOFTLIGHT 5600K AC100-240V/DC23-36V MO
- 300S SOFTLIGHT 5600K AC100-240V/DC23-36V PO

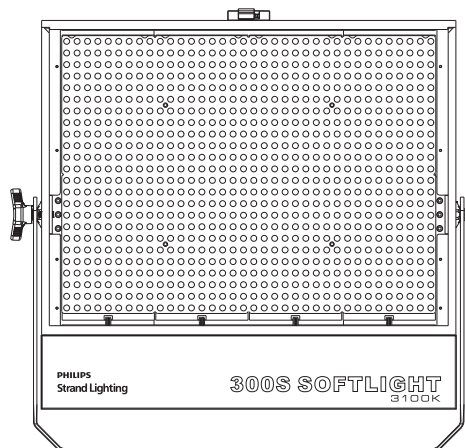
Please read all instructions before installing or using this product. Retain this manual for future reference. Additional product information and descriptions may be downloaded at [www.strandlighting.com](http://www.strandlighting.com).

## 2. Product Descriptions

This manual covers the following 300S SOFTLIGHT LED Luminaire models:

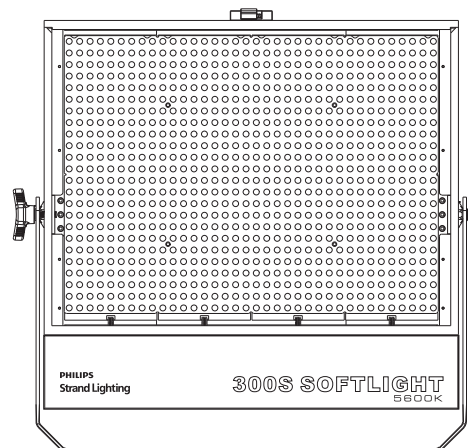
**300S SOFTLIGHT 3100K with MO Yoke**

**300S SOFTLIGHT 3100K with PO Yoke**



**300S SOFTLIGHT 5600K with MO Yoke**

**300S SOFTLIGHT 5600K with PO Yoke**



## 3. Accessories

- User Manual(this document)
- 1.5m PowerCon Powercord with bare end

# 300S Softlight LED LUMINAIRE OVERVIEW

## 1. 300S Softlight LED Luminaire Components

### Major Luminaire Components

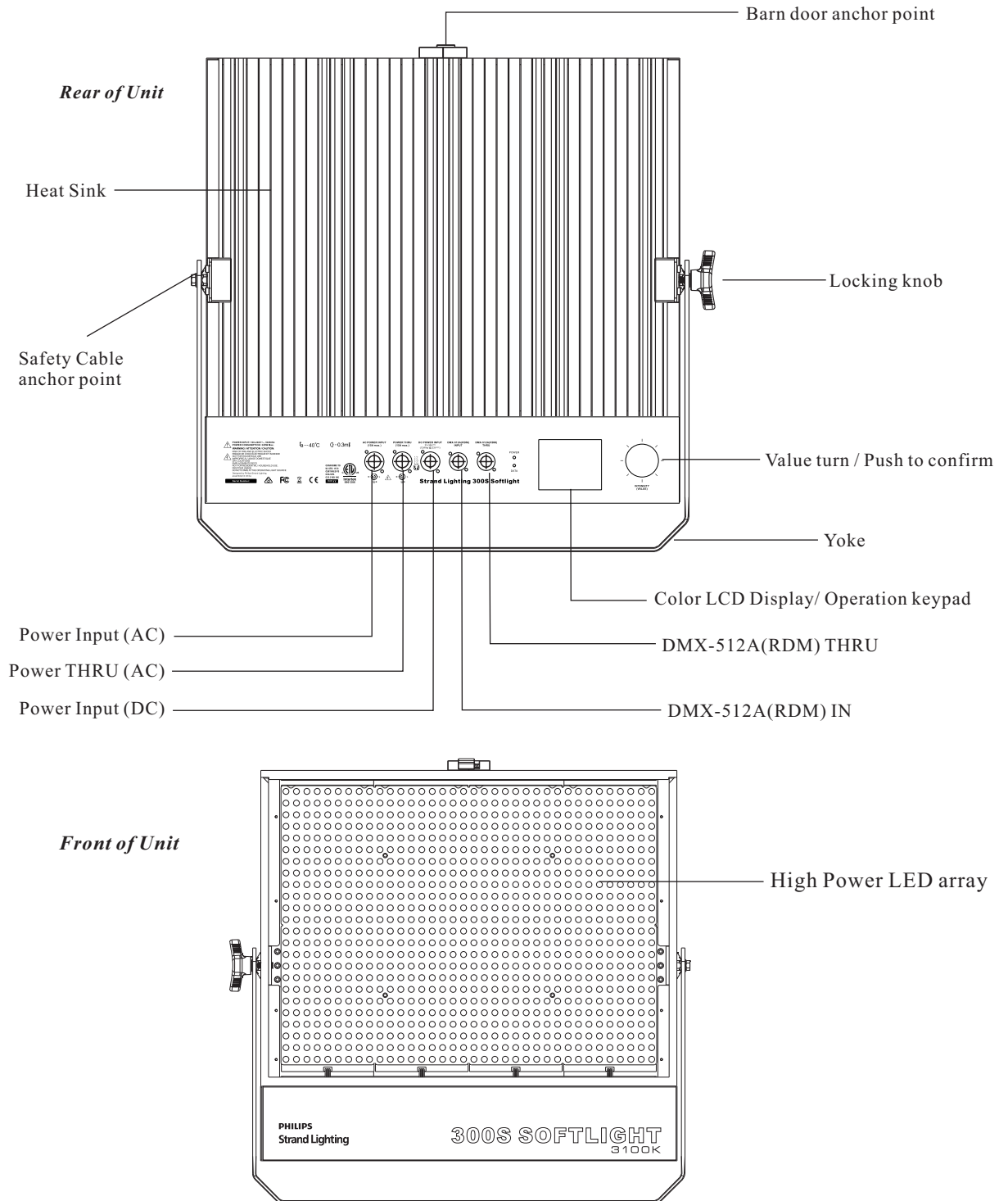


Figure 1: 300S Softlight LED Luminaire Components

## LCD Display/Menu System

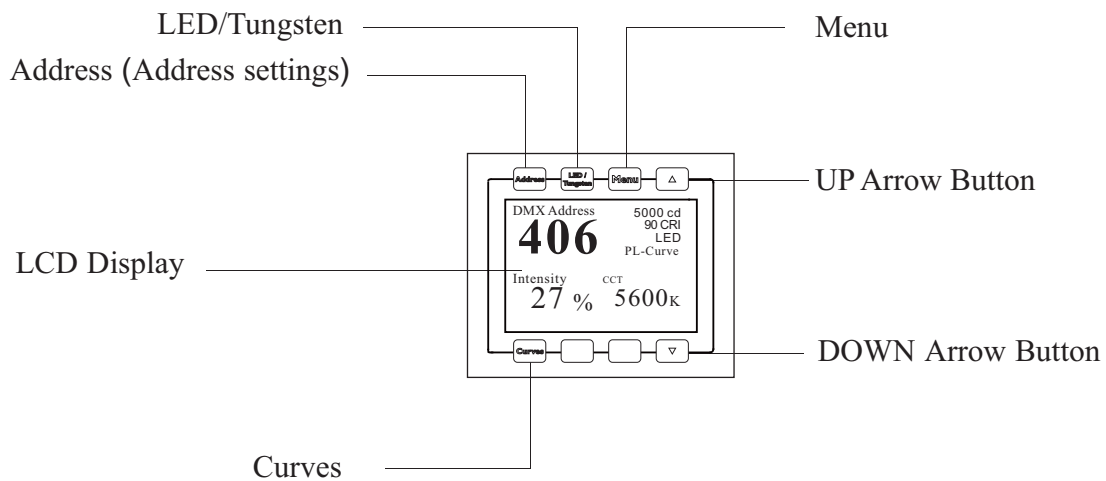


Figure 2: 300S Softlight LED Luminaire LCD Display/Menu System

# INSTALLATION AND SET UP

## 1. Power Requirements

The 300S Softlight LED Luminaire operates on AC input voltages from 100 to 240VAC or 23 to 36 VDC.



**WARNING!** This unit does not contain an ON/OFF switch. Always disconnect power input cable to completely remove power from unit when not in use.

### AC Power Operation

When connected to an AC source, the unit operates on 100 to 240 volts AC (+/- 10%, auto-ranging). The luminaire contains an auto-ranging power supply. Each luminaire can draw up to 320 Watts.



**WARNING!** Maximum 3 units in 100 - 120VAC or 8 units of 220 - 240VAC operation can be connected.

**Table 1: 300S Softlight LED Luminaire Voltage (VAC) vs. Current\***

Voltage (AC)	Total Current (A)	Voltage (AC)	Total Current (A)
100	3.20A	180	1.78A
110	2.90A	190	1.69A
120	2.67A	200	1.60A
130	2.46A	210	1.53A
140	2.29A	220	1.46A
150	2.14A	230	1.40A
160	2.00A	240	1.34A
170	1.88A		

**Note:** For wiring of AC input connector, refer to ["Connecting 300S Softlight LED Luminaires to AC Power" on page 7.](#)

## 2. Connecting Power

Units can be powered in one of two ways:

- Direct connection to a AC power source using an AC input cable. For wiring of AC input connector, refer to ["Connecting 300S Softlight LED Luminaires to AC Power" on page 7.](#)
- Connection from the AC output of another 300S Softlight LED Luminaire. When using this method, it is very important not to connect any other type of equipment device.
- Connection from the DC power source using a DC input cable.



**WARNING!** Power THRU connect is only for next 300S Softlight devices loop though.



### 3. Connecting 300S Softlight LED Luminaires to AC Power

The unit is supplied with an AC input cable in bare end. Input connector is a user-supplied accessory to fit your application.

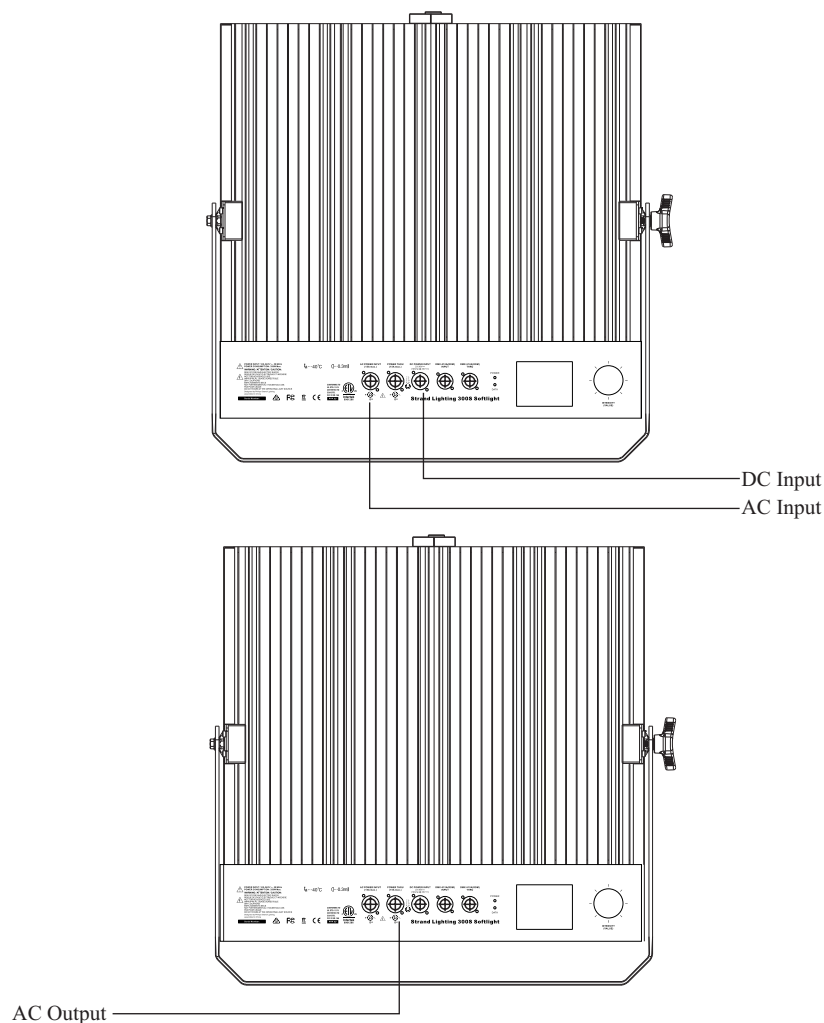
Table 2 describes how to connect power to your 300S Softlight LED Luminaire. Field wiring of the 300S Softlight LED Luminaire is straight forward. A total of 3 wires/conductors is supplied from the unit.

The following wiring scheme is used:

**Table 2:** 300S Softlight LED Luminaire (IP20 Rated Models) AC Input Connections

Wire Color	Purpose
Brown	Main/ LIVE (100 to 240VAC)
Blue	Neutral
Green/Yellow	Ground (Earth)

*Rear of Unit*

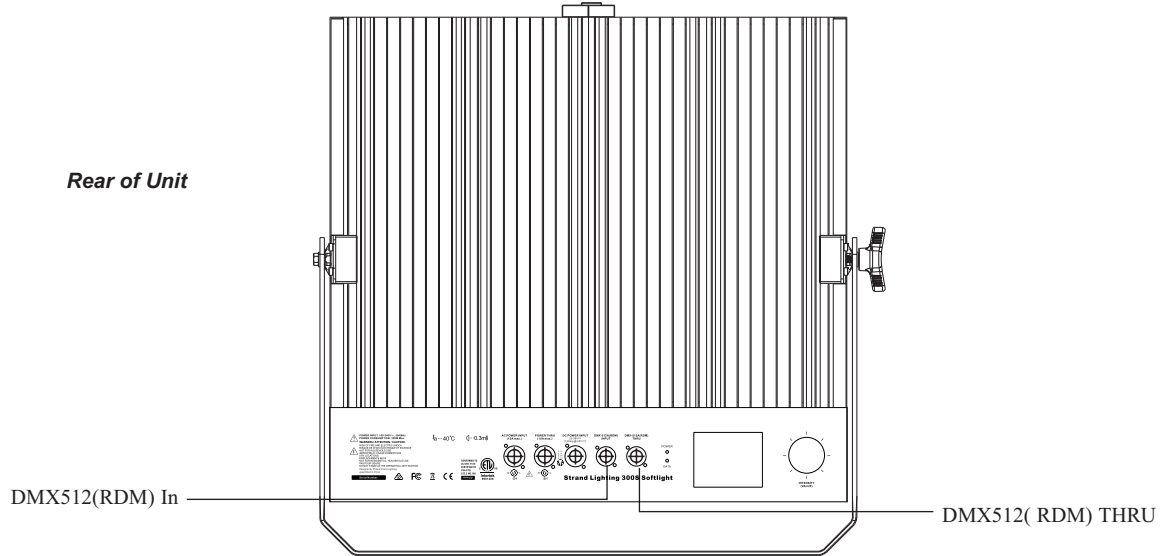


**Figure 3:** 300S Softlight LED Luminaire AC Input & Output Connections

**CAUTION:** In the event the AC input cable of this luminaire is damaged, it must be replaced with an approved cable through an Authorized Strandlighting Dealer or Service Center.

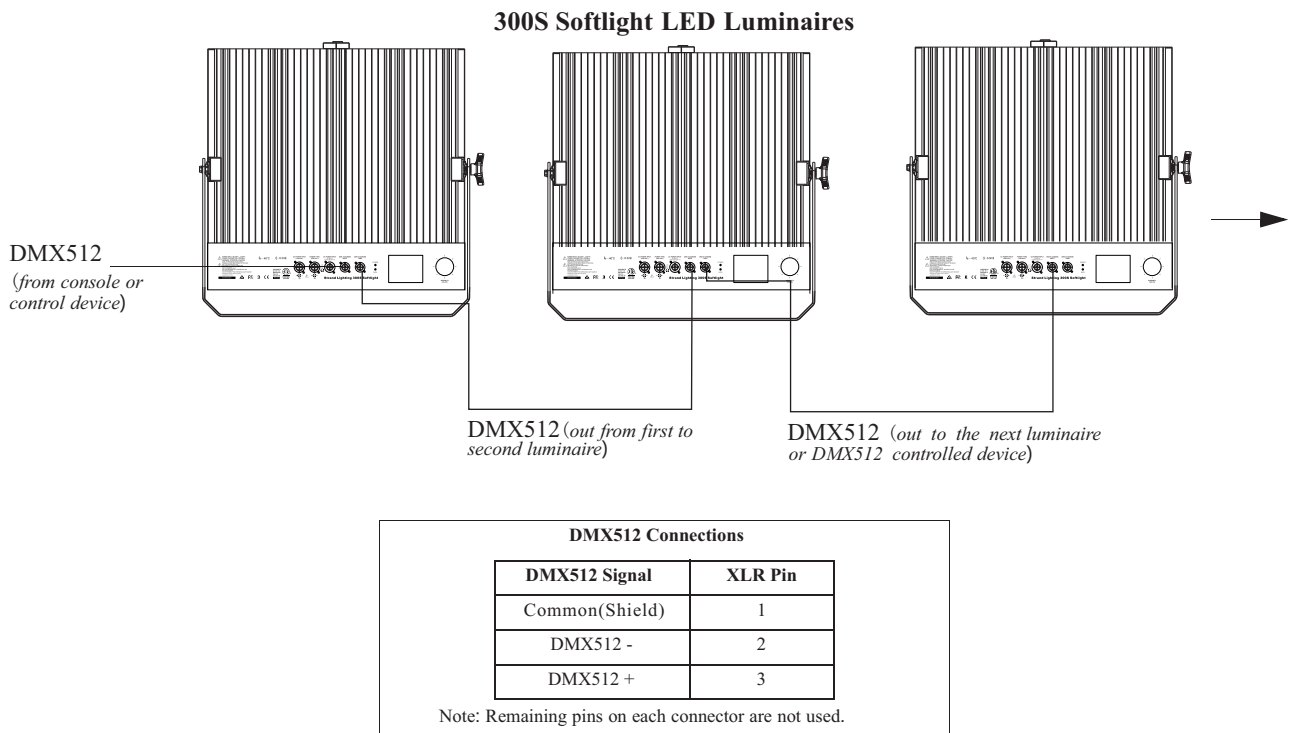
## 4. Connecting to the DMX512 Network

DMX-512 network allow maximum of 32 units of 300S Softlight on a single segment of DMX-512 cables loop though in daisy - chain. A cable runs from the control console (or DMX512 control source) to the DMX connector on the first 300S Softlight LED Luminaire. Another cable runs from the other DMX connector first unit to a DMX connector on the next 300S Softlight LED Luminaire.



**Figure 4: 300S Softlight LED Luminaire DMX512 Input / Output Connections**

**Note:** For more information on DMX512 networking and systems, refer to [“Additional Resources for DMX512”](#) on page 1. For 300S Softlight LED Luminaire DMX Mapping, refer to [“DMX CONTROL”](#) on page 14.

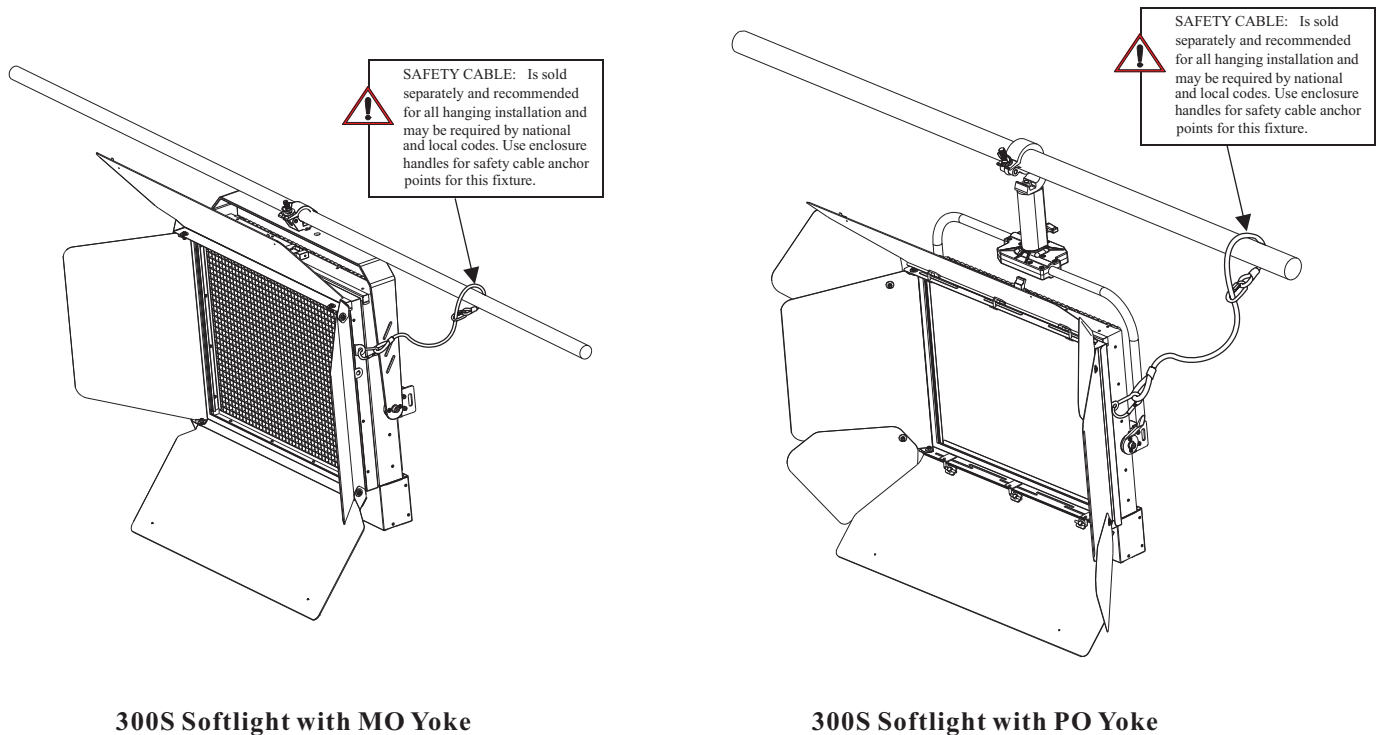


**Figure 5: 300S Softlight LED Luminaire - DMX512 Connections**

## 5. Mounting Luminaire

The 300S Softlight is provided with one mount and two safety cable anchor points, with one on the body and the other on the barn door assembly. The luminaire is designed to accept a variety of mounting hooks, clamps, etc. Simply attach hook, clamp, etc. to the 300S Softlight LED Luminaire mount assembly in the M13 hole.

Refer to **Figure 6** for detailed mounting information.




---

*Note: All optional accessories including the honeycomb and barn door are sold separately. please refer to the detail on page 24 of this manual.*

---

**Figure 6: Mounting Luminaire - Hanging Applications**

# OPERATION AND PROGRAMMING

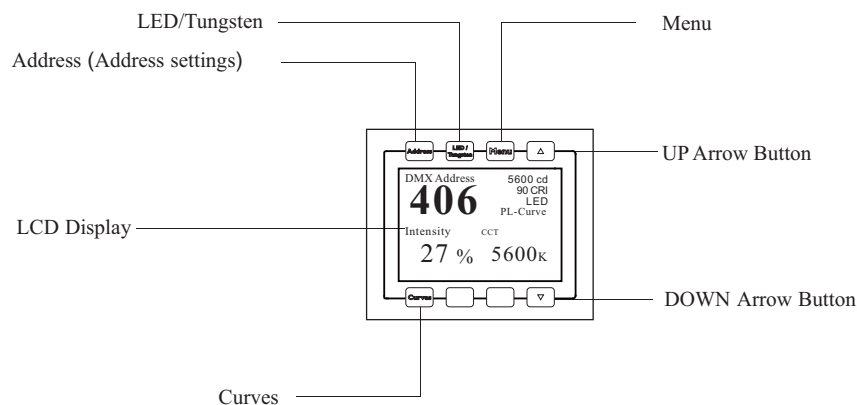
## 1. LCD Display and Menu System

The 300S Softlight LED Luminaire's LCD Display and Menu System provides local control for accessing the following fixture's settings:

- Auto Lock
- Intensity Format
- Fixture Control
- DMX Map
- When No DMX
- Set Factory Default
- Firmware Version
- RDM UID

**Note:** If there are multiple luminaires in a system, changes would need to be made at each LCD Menu as desired.

Upon power up, the LCD will display the main screen. If DMX is enabled, the programmed address will appear after power up.



**Figure 7: LCD Display and Menu System**

## 2. LCD Display and Menu System Operation

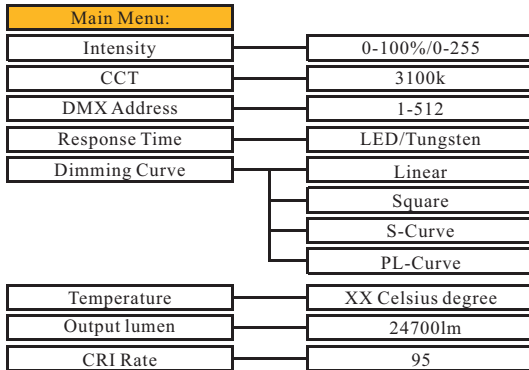
The LCD Display Menu system consists of several categories. Use the Menu Buttons to access and make changes to the menu items. When the desired menu item is reached, press the desired Menu Button to display the menu options and to navigate and configure the menu options as required.

**To navigate and access menu settings/selections:**

- Step 1. Make sure unit is powered and turned on.
- Step 2. Press the desired button (as shown in **Figure 7**) to access menu categories.
- Step 3. Use UP | DOWN arrow buttons to navigate through the various options and settings.
- Step 4. Make changes as desired via the Function Toggle.
- Step 5. Press the Function Toggle button to accept changes.

### 3. Menu Structure

#### 300S Softlight 3100K



#### 300S Softlight 5600K

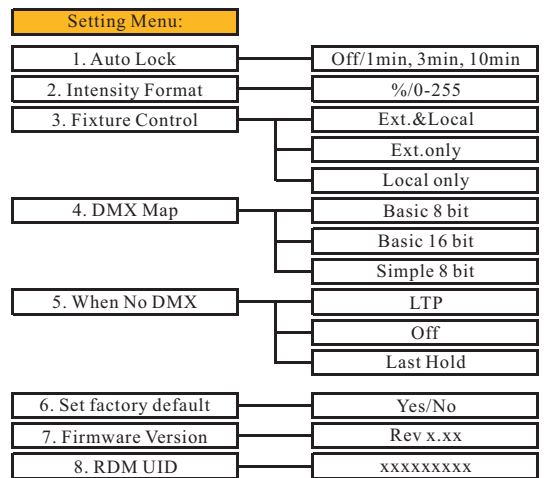
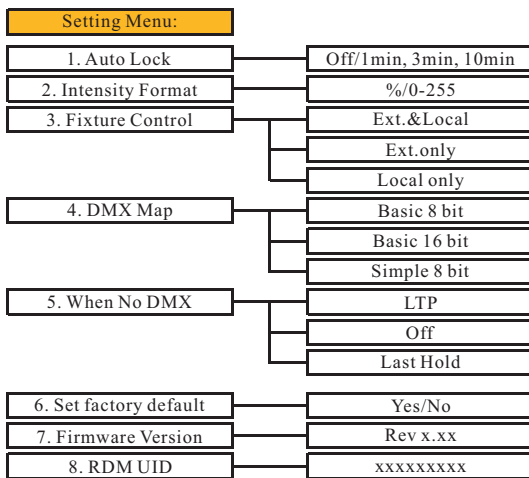
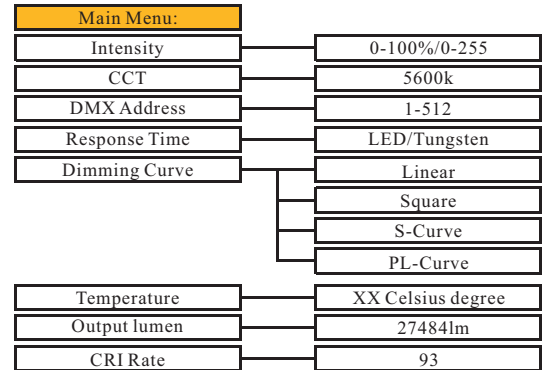


Figure8: 300S Softlight LED Luminaire Menu Structure

## 4 Button Functions

When in Manual Mode, the 300S Softlight LED Luminaire's features can be accessed via the on-board LCD menu system or via the select buttons:

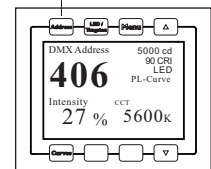
- Address
- LED/Tungsten
- Curves
- G+/-M(NULL)

### Address Button

**To edit and save an Address:**

- Step 1. Press Address button.
- Step 2. Rotate the Value Turn to increase/decrease the value.
- Step 3. Once at desired Address, push the Value Turn to confirm.
- Step 4. Address is now saved.

Address Setting

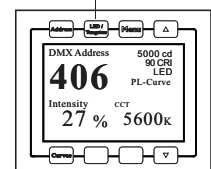


### LED/Tungsten Button

**To edit and save LED/Tungsten:**

- Step 1. Press LED/Tungsten button.
- Step 2. Use the Value Turn to choose between LED or Tungsten.
- Step 3. Once the choice is made, push the Value Turn to confirm.
- Step 4. LED/Tungsten choice is now saved.

Choose between  
LED/Tungsten

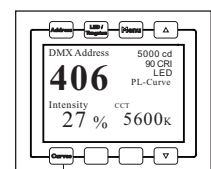


### Curves Button

**To edit and save a Curve:**

- Step 1. Press Curves button.
- Step 2. Rotate the Value Turn to choose the curve between PL-Curve, S-Curve, Square and Linear.
- Step 3. Once the choice is made, push the Value Turn to confirm.
- Step 4. Curves choice is now saved.

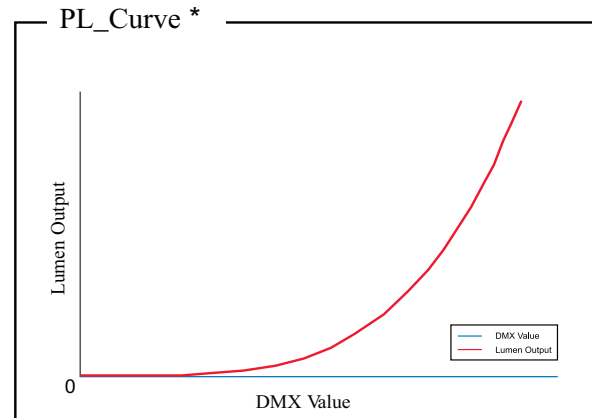
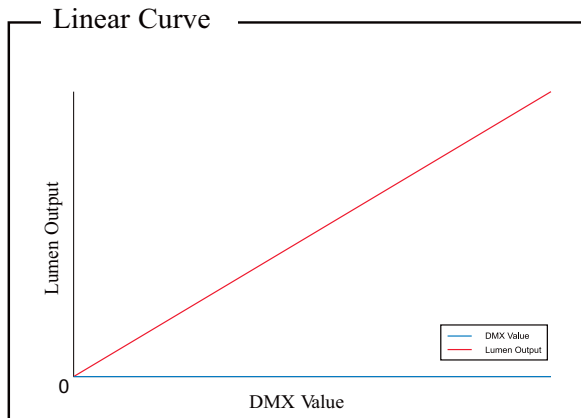
Curve Selection



## 5. Dimming Curve Selection

Through the menu, you are able to select one of four dimming curves:

- Linear Curve
- PL\_Curve
- S\_Curve
- Square Curve



\*PL Curve follows the dimming curve of Philips Selecon PL series LED luminaires.

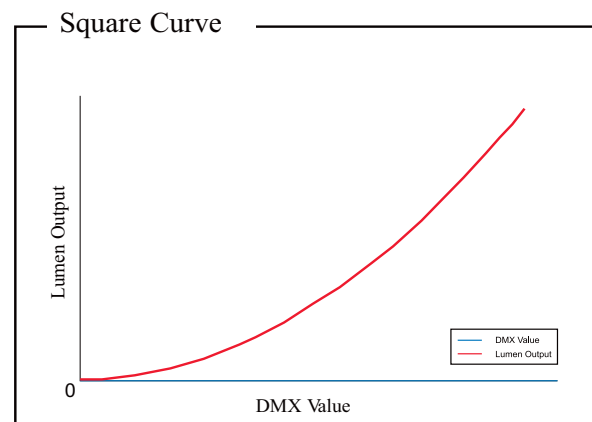
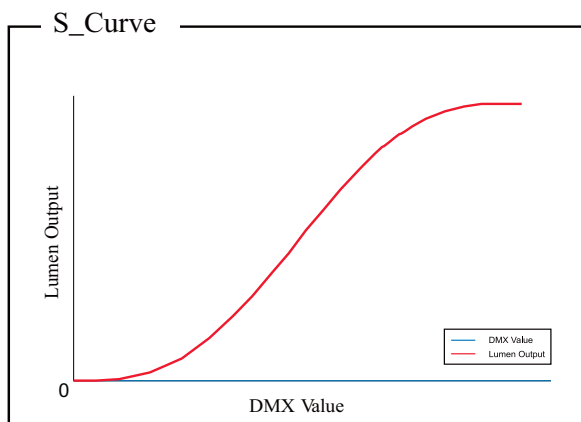


Figure 9: 300S Softlight LED Luminaire Dimmer Curves

## DMX CONTROL

This section contains information for operating the luminaire using DMX control in Simplify 8-bit, Basic 8-Bit, or Basic 16-bit modes. For Menu options and detailed information, see "LCD Display and Menu System" on page 10.

### 1. Simplify 8-bit

Table 3 provides DMX channel mapping of all DMX512 control values when the 300S Softlight LED Luminaire is in Simple 8-bit mode (as set by the luminaire's menu system).

**Table 3: 300S Softlight LED Luminaire DMX Channel Mapping (8-Bit Mode)**

DMX Channel	Parameter	Range DMX	Range%	Default	Description
1	Intensity	0-255	0-100%	0	8 bit control for Intensity of LED settings

### 2. Basic 8-bit

Table 4 provides DMX channel mapping of all DMX512 control values when the 300S Softlight LED Luminaire is in Basic 8-bit mode (as set by the luminaire's menu system).

**Table 4: 300S Softlight LED Luminaire DMX Channel Mapping (Basic 8-Bit Mode)**

DMX Channel	Parameter	Range DMX	Range%	Default	Description
1	Intensity	0-255	0-100%	0	8 bit control for Intensity of LED settings
2	Timing	0-255	0-100%	0	Timing control of intensity, CCT, and preset. 0% (Instant) 1% (1 sec) 2% (2 sec) 3% (3 sec) ... 100% (100 sec)

### 3. Basic 16-bit

Table 5 provides DMX channel mapping of all DMX512 control values when the 300S Softlight LED Luminaire is in Basic 16-bit mode (as set by the luminaire's menu system).

**Table 5: 300S Softlight LED Luminaire DMX Channel Mapping (Basic 16-Bit Mode)**

DMX Channel	Parameter	Range DMX	Range%	Default	Description
1 2	Intensity High Intensity Low	0-65535	0-100%	0	16 bit control for Intensity of LED settings
3	Timing	0-255	0-100%	0	Timing control of intensity, CCT, and preset. 0% (Instant) 1% (1 sec) 2% (2 sec) 3% (3 sec) ... 100% (100 sec)



## 8. 300S Softlight 5600K LED Luminaire RDM Parameter IDs

The following tables outline and describe all the RDM parameters IDs associated with 300S Softlight 5600K LED Luminaires.

Table 6, "300S Softlight 5600K LED Luminaire RDM Product Parameters IDs "

Table 7, "300S Softlight 5600K LED Luminaire RDM UID "

Table 8, "300S Softlight 5600K LED Luminaire RDM Parameters IDs ," on page 16

Table 9, "300S Softlight 5600K LED Luminaire RDM Manufacturer Specific PIDs for Root Device," on page 18

**Table 6: 300S Softlight 5600K LED Luminaire RDM Product Parameters Ids**

Model ID	Manufacturer	Model Description	Product Category
0x1110	Philips Strand Lighting Ltd.	300S 5600K	0x0509

**Table 7: 300S Softlight 5600K LED Luminaire RDM UID**

UID					
MSB of ESTA 73H	LSB of ESTA 6CH	MSB of Unique Seq.	MSB of Unique Seq.	MSB of Unique Seq.	LSB of Unique Seq.

Table 8: 300S Softlight 5600K LED Luminaire RDM Parameters Ids

Get Allowed	Set Allowed	RDM Parameter IDs	Value	Comment	Implemented
<i>Category - Network Management</i>					
		DISC_UNIQUE_BRANCH	0x0001		■
		DISC_MUTE	0x0002		■
		DISC_UN_MUTE	0x0003		■
■		PROXIED_DEVICES	0x0010		
■		PROXIED_DEVICES_COUNT	0x0011		
■	■	COMMS_STATUS	0x0015		
<i>Category - Status Collection</i>					
■		QUEUED_MESSAGE	0x0020		■
■		STATUS_MESSAGES	0x0030		■
■		STATUS_ID_DESCRIPTION	0x0031		■
	■	CLEAR_STATUS_ID	0x0032		■
■	■	SUB_DEVICE_STATUS_REPORT_THRESHOLD	0x0033		
<i>Category - RDM Information</i>					
■		SUPPORTED_PARAMETERS	0x0050	* Support required only of supporting Parameters beyond the minimum required set	■
■		PARAMETER_DESCRIPTION	0x0051	- Support required for Manufacturer-Specific PIDs exposed in SUPPORTED_PARAMETERS message.	■
<i>Category - Product Information</i>					
■		PARAMETER_DESCRIPTION	0x0060		■
■		PRODUCT_DETAIL_ID_LIST	0x0070		
■		DEVICE_MODEL_DESCRIPTION	0x0080		■
■		MANUFACTURER_LABEL	0x0081		■
■	■	DEVICE_LABEL	0x0082		■
■	■	FACTORY_DEFAULTS	0x0090		■
■		LANGUAGE_CAPABILITIES	0x00A0		
■	■	LANGUAGE	0x00B0		
■		SOFTWARE_VERSION_LABEL	0x00C0		■
■		BOOT_SOFTWARE_VERSION_ID	0x00C1		
■		BOOT_SOFTWARE_VERSION_LABEL	0x00C2		
<i>Category - DMX512 Setup</i>					
■	■	DMX_PERSONALITY	0x00E0		■
■		DMX_PERSONALITY_DESCRIPTION	0x00E1		■
■	■	DMX_START_ADDRESS	0x00F0	* Required if device uses a DMX Slot	■
■		SLOT_INFO	0x0120		■
■		SLOT_DESCRIPTION	0x0121		■
■		DEFAULT_SLOT_VALUE	0x0122		

Table 8: 300S Softlight 5600K LED Luminaire RDM Parameters Ids

Get Allowed	Set Allowed	RDM Parameter IDs	Value	Comment	Implemented
<i>Category - Sensors 0x02xx</i>					
■		SENSOR_DEFINITION	0x0200		■
■	■	SENSOR)VALUE	0x0201		■
	■	RECORD_SENSORS	0x0202		
<i>Category - Dimmer Settings 0x03xx Future</i>					
<i>Category - Power/Lamp Settings 0x04xx</i>					
■	■	DEVICE_HOURS	0x0400		
■	■	LAMP_HOURS	0x0401		
■	■	LAMP_STRIKES	0x0402		
■	■	LAMP_STATE	0x0403		
■	■	LAMP_ON_MODE	0x0404		
■	■	DEVICE_POWER_CYCLES	0x0405		
<i>Category - Display Settings 0x05xx</i>					
■	■	DISPLAY_INVERT	0x0500		
■	■	DISPLAY_LEVEL	0x0501		
<i>Category - Configuration 0x06xx</i>					
■	■	PAN_INVERT	0x0600		
■	■	TILT_INVERT	0x0601		
■	■	PAN_TILT_SWAP	0x0602		
■	■	REAL_TIME_CLOCK	0x0603		
<i>Category - Control 0x10xx</i>					
■	■	IDENTIFY_DEVICE	0x1000		■
	■	RESET_DEVICE	0x1001		
■	■	POWER_STATE	0x1010		
■	■	PERFORM_SELFTEST	0x1020		
■		SELF_TEST_DESCRIPTION	0x1021		
	■	CAPTURE_PRESET	0x1030		
■	■	PRESET_PLAYBACK	0x1031		

Table 9: 300S Softlight 5600K LED Luminaire RDM Manufacturer Specific PIDs for Root Device

Get Allowed	Set Allowed	RDM Parameter IDs	Type	Length	Unit	Prefix	Min	Max	Default	Description
<i>Category - Manufacturer Defined PIDs - Range is 0x8000-0xffff (See ANSI E1.20-2010 Standard, Table A-3)</i>										
■	■	0x8106	U8	1	None	None	0	2	0	Fixture Control
■	■	0x810A	U8	1	None	None	0	1	0	Intensity Format
■	■	0x8A00	U8	1	None	None	0	100	100	Dimmer
■	■	0x8A0C	U8	1	None	None	0	2	2	DMX FAIL MODE
■	■	0x8A41	U8	1	None	None	0	1	0	Auto Lock
■	■	0x8A42	U8	1	None	None	0	1	0	Response Time
■	■	0x8AA1	U8	1	None	None	0	3	3	Dimming Curve

## 9. 300S Softlight 3100K LED Luminaire RDM Parameter IDs

The following tables outline and describe all the RDM parameters IDs associated with 300S Softlight 3100K LED Luminaires.

Table 10, "300S Softlight 3100K LED Luminaire RDM Product Parameters IDs "

Table 11, "300S Softlight 3100K LED Luminaire RDM UID "

Table 12, "300S Softlight 3100K LED Luminaire RDM Parameters IDs ," on page 20

Table 13, "300S Softlight 3100K LED Luminaire RDM Manufacturer Specific PIDs for Root Device," on page 22

**Table 10: 300S Softlight 3100K LED Luminaire RDM Product Parameters Ids**

Model ID	Manufacturer	Model Description	Product Category
0x1111	Philips Strand Lighting Ltd.	300S 3100K	0x0509

**Table 11: 300S Softlight 3100KLED Luminaire RDM UID**

UID					
MSB of ESTA 73H	LSB of ESTA 6CH	MSB of Unique Seq.	MSB of Unique Seq.	MSB of Unique Seq.	LSB of Unique Seq.

Table 12: 300S Softlight 3100K LED Luminaire RDM Parameters Ids

Get Allowed	Set Allowed	RDM Parameter IDs	Value	Comment	Implemented
<i>Category - Network Management</i>					
		DISC_UNIQUE_BRANCH	0x0001		■
		DISC_MUTE	0x0002		■
		DISC_UN_MUTE	0x0003		■
■		PROXIED_DEVICES	0x0010		
■		PROXIED_DEVICES_COUNT	0x0011		
■	■	COMMS_STATUS	0x0015		
<i>Category - Status Collection</i>					
■		QUEUED_MESSAGE	0x0020		■
■		STATUS_MESSAGES	0x0030		■
■		STATUS_ID_DESCRIPTION	0x0031		■
	■	CLEAR_STATUS_ID	0x0032		■
■	■	SUB_DEVICE_STATUS_REPORT_THRESHOLD	0x0033		
<i>Category - RDM Information</i>					
■		SUPPORTED_PARAMETERS	0x0050	* Support required only of supporting Parameters beyond the minimum required set	■
■		PARAMETER_DESCRIPTION	0x0051	- Support required for Manufacturer-Specific PIDs exposed in SUPPORTED_PARAMETERS message.	■
<i>Category - Product Information</i>					
■		PARAMETER_DESCRIPTION	0x0060		■
■		PRODUCT_DETAIL_ID_LIST	0x0070		
■		DEVICE_MODEL_DESCRIPTION	0x0080		■
■		MANUFACTURER_LABEL	0x0081		■
■	■	DEVICE_LABEL	0x0082		■
■	■	FACTORY_DEFAULTS	0x0090		■
■		LANGUAGE_CAPABILITIES	0x00A0		
■	■	LANGUAGE	0x00B0		
■		SOFTWARE_VERSION_LABEL	0x00C0		■
■		BOOT_SOFTWARE_VERSION_ID	0x00C1		
■		BOOT_SOFTWARE_VERSION_LABEL	0x00C2		
<i>Category - DMX512 Setup</i>					
■	■	DMX_PERSONALITY	0x00E0		■
■		DMX_PERSONALITY_DESCRIPTION	0x00E1		■
■	■	DMX_START_ADDRESS	0x00F0	* Required if device uses a DMX Slot	■
■		SLOT_INFO	0x0120		■
■		SLOT_DESCRIPTION	0x0121		■
■		DEFAULT_SLOT_VALUE	0x0122		

Table 12: 300S Softlight 3100K LED Luminaire RDM Parameters Ids

Get Allowed	Set Allowed	RDM Parameter IDs	Value	Comment	Implemented
<i>Category - Sensors 0x02xx</i>					
■		SENSOR_DEFINITION	0x0200		■
■	■	SENSOR)VALUE	0x0201		■
	■	RECORD_SENSORS	0x0202		
<i>Category - Dimmer Settings 0x03xx Future</i>					
<i>Category - Power/Lamp Settings 0x04xx</i>					
■	■	DEVICE_HOURS	0x0400		
■	■	LAMP_HOURS	0x0401		
■	■	LAMP_STRIKES	0x0402		
■	■	LAMP_STATE	0x0403		
■	■	LAMP_ON_MODE	0x0404		
■	■	DEVICE_POWER_CYCLES	0x0405		
<i>Category - Display Settings 0x05xx</i>					
■	■	DISPLAY_INVERT	0x0500		
■	■	DISPLAY_LEVEL	0x0501		
<i>Category - Configuration 0x06xx</i>					
■	■	PAN_INVERT	0x0600		
■	■	TILT_INVERT	0x0601		
■	■	PAN_TILT_SWAP	0x0602		
■	■	REAL_TIME_CLOCK	0x0603		
<i>Category - Control 0x10xx</i>					
■	■	IDENTIFY_DEVICE	0x1000		■
	■	RESET_DEVICE	0x1001		
■	■	POWER_STATE	0x1010		
■	■	PERFORM_SELFTEST	0x1020		
■		SELF_TEST_DESCRIPTION	0x1021		
	■	CAPTURE_PRESET	0x1030		
■	■	PRESET_PLAYBACK	0x1031		

Table 13: 300S Softlight 3100K LED Luminaire RDM Manufacturer Specific PIDs for Root Device

Get Allowed	Set Allowed	RDM Parameter IDs	Type	Length	Unit	Prefix	Min	Max	Default	Description
<i>Category - Manufacturer Defined PIDs - Range is 0x8000-0xffff (See ANSI E1.20-2010 Standard, Table A-3)</i>										
■	■	0x8106	U8	1	None	None	0	2	0	Fixture Control
■	■	0x810A	U8	1	None	None	0	1	0	Intensity Format
■	■	0x8A00	U8	1	None	None	0	100	100	Dimmer
■	■	0x8A0C	U8	1	None	None	0	2	2	DMX FAIL MODE
■	■	0x8A41	U8	1	None	None	0	1	0	Auto Lock
■	■	0x8A42	U8	1	None	None	0	1	0	Response Time
■	■	0x8AA1	U8	1	None	None	0	3	3	Dimming Curve



# CLEANING AND CARE

---



**WARNING!** All cleaning should be performed with power completely removed from the luminaire. Never remove protective covers when luminaire is powered. Wear appropriate protective eye wear and gloves when cleaning the fixture. All service and maintenance, other than described herein, should be performed by a qualified technician or Authorized Service Center.

---

## 1. Special Cleaning and Care Instructions

Being a solid-state fixture, and unlike most fixtures, the 300S Softlight LED Luminaire requires very little routine maintenance by the user. This section covers portions of the luminaire that can be removed for cleaning.

The 300S Softlight LED Luminaire special care when it comes to cleaning front lens assembly. Additional care needs to be taken with the plastic components because they are much easier to scratch or damage than glass.

The following is a list of cleaning materials required to care for your 300S Softlight LED Luminaire:

- Lint free lens tissue
- Lint or powder free gloves
- Reagent grade isopropyl alcohol\*
- A mild soap solution.

**Note:** \*Reagent grade isopropyl alcohol is good to use on the 300S Softlight LED Luminaire plastic optics with anti-reflection coatings.

---

if the lens is still dirty after using isopropyl alcohol, for instance if fingerprints or oil is just redistributed and not cleaned off the optic, then a mild soap and water solution can be used to gently wash the lens. Repeat the cleaning with isopropyl alcohol to eliminate streaks and soap residue.

---



**WARNING!** Under no circumstances should ammonia-based cleaners, acetone, or other harsh solvents be used on or near the 300S Softlight LED Luminaire. These types of cleaners or solvents can permanently damage the optics or housings of the fixture.

---

If you have any questions regarding the use or care of your 300S Softlight LED Luminaire, please contact Strandlighting technical support or your local Authorized Dealer.

## 2. Front Diffusers Cleaning

**To clean the front diffusers:**

- Step 1. Disconnect luminaire from power and allow to cool completely.
- Step 2. Apply a small amount of reagent grade isopropyl alcohol to lint-free lens tissue.
- Step 3. Wipe all debris, dirt, fingerprints, etc. from diffusers.
- Step 4. Using a second lint-free lens tissue, wipe off any alcohol residue.

## 3. Service and Maintenance

For all other service and maintenance issues, please contact your local Strandlighting office or an Authorized Service Center.

---

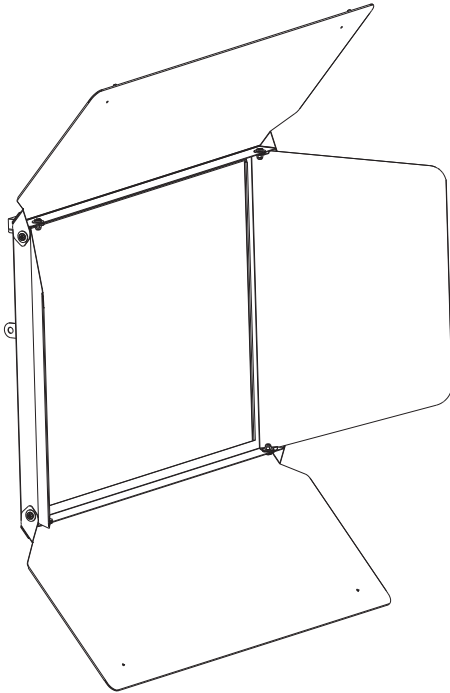


**WARNING!** Disassembly (other than as described herein), alterations, unauthorized service, etc. will void the product warranty. Contact your local Strandlighting office or an Authorized Service Center for technical support and service.

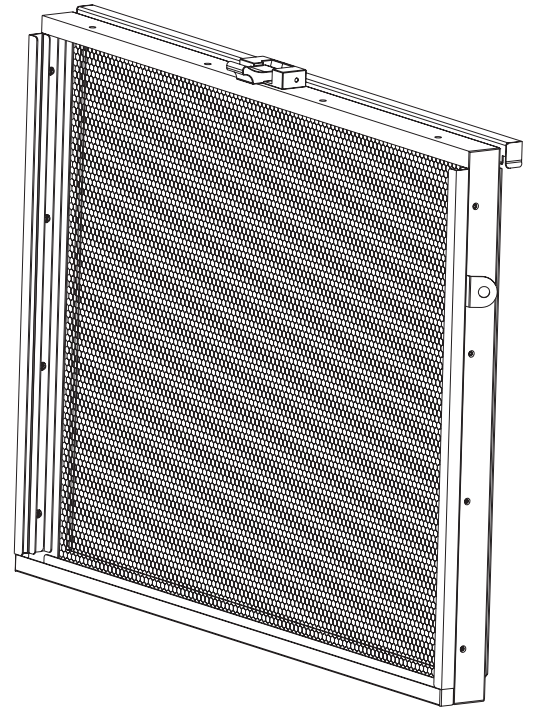
---

## 4. Accessories

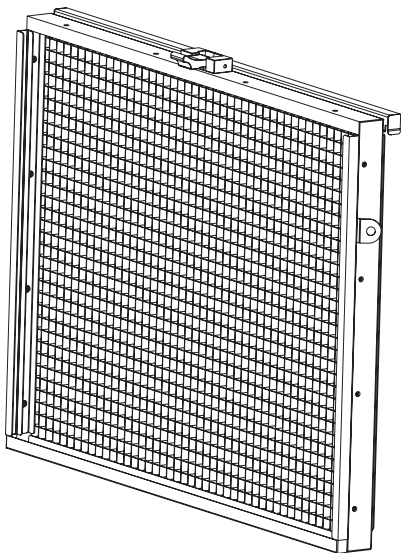
The 300S Softlight series will have 3 optional accessories including a barndoor with filter clip, a 20 degree honeycomb, and a 36 degree honeycomb. All these accessories can be equipped with the luminaire solely or via a combination. For example, a 20 degree honeycomb and the barndoor and a 36 degree honeycomb plus the barndoor. See illustration as below for more information.



***Barndoor***



***20 degree Honeycomb***



***36 degree Honeycomb***

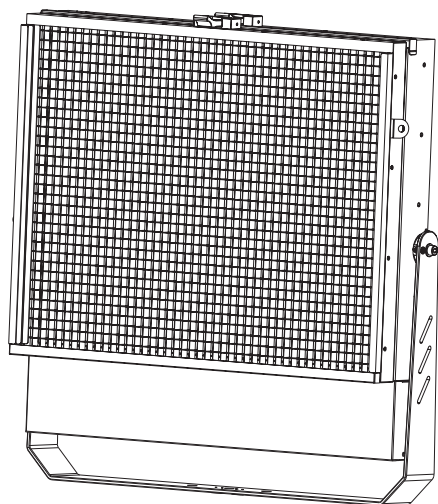
---

***Note: All these accessories will be sold separately***

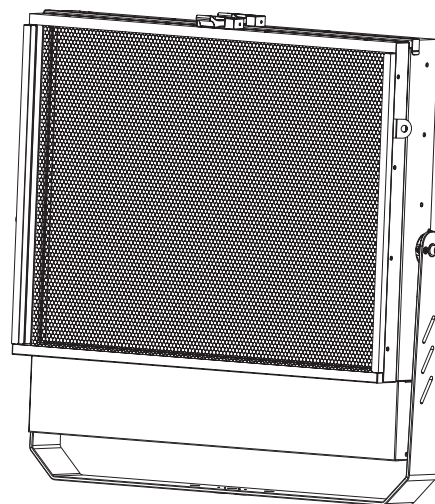
---

## 5. Installation of the accessories

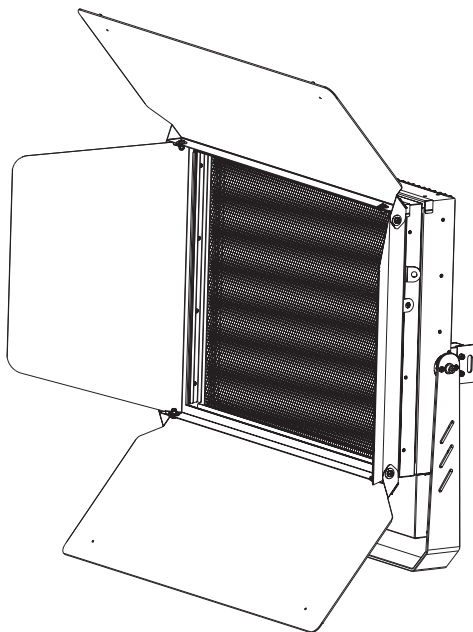
All accessories can be equipped to the 300S Softlight luminaire, whether individually or a combination. See the illustration below for more information.



*300S Softlight with 36 degree honeycomb on*



*300S Softlight with 20 degree honeycomb on*



*300S Softlight with 20 degree honeycomb and the barndoor on*

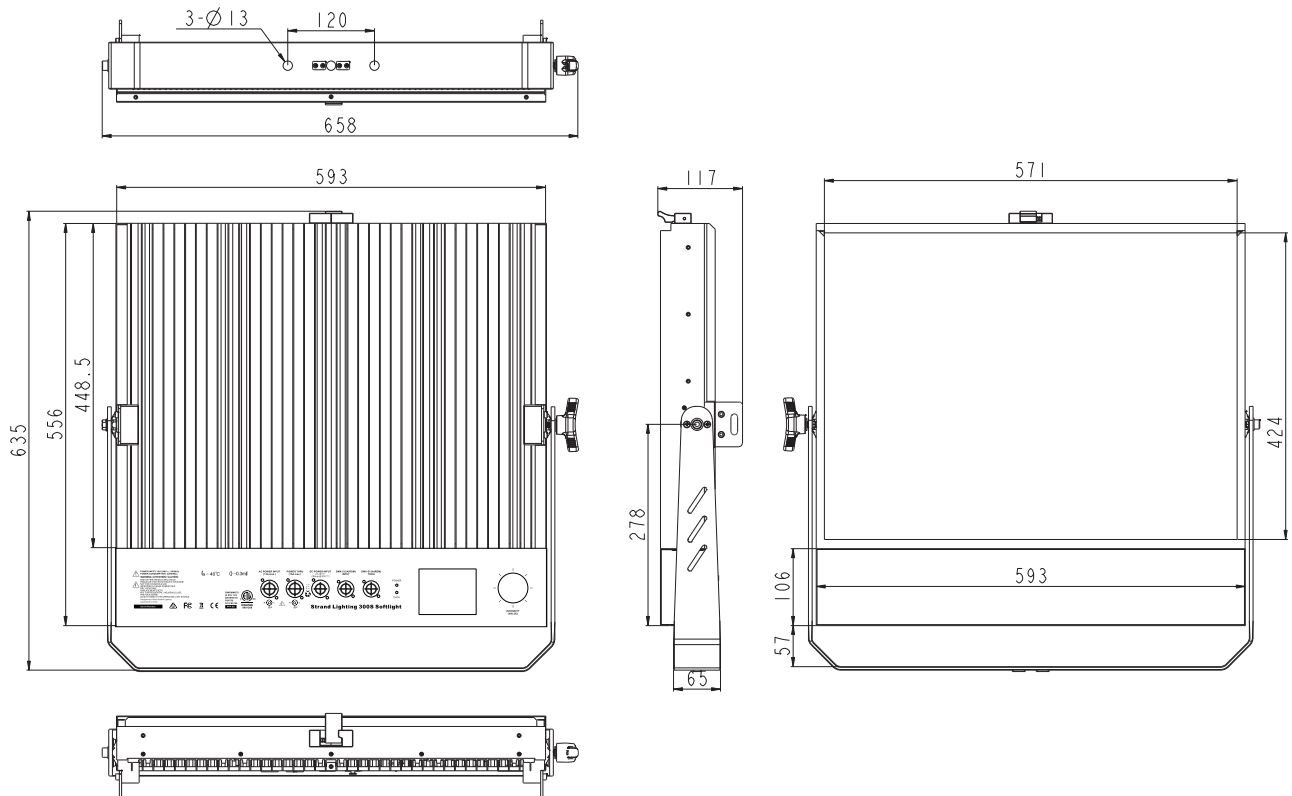
# TECHNICAL SPECIFICATIONS

## 1. 300S Softlight LED Luminaire Operational Specifications

Beam Angle:	50 Degrees
Light Output:	24700 lumens for 3100K 27,484 lumens for 5600K
Color Temperature:	3100K+/-100K 5600K+/-300K
Input Voltage(AC):	100V to 240V (+/- 10%, auto-ranging)
Input Voltage(DC):	23V to 36V (+/- 10%, auto-ranging)
Current (AC):	1.5 Amps (100V) / 0.63 Amps (240V)
Frequency:	50/60Hz
Control:	DMX512 (1990) / DMX512A (RDM) / On-Board Menu
Ambient Temperature:	-20 to 40 Degrees C (-4 to 104 Degrees F)
Humidity:	5%-95% Non condensing
Weight:	11.7 kg(25.74 lbs) - Luminaire only (no accessories)
Housing:	Aluminum Extrusion with Powder Coat
IP Rating:	IP20
Listing:	CE/cETL

**Note:** Common model specifications shown. For specific model specifications, features, and accessories, refer to the product specification sheet for more details.

## 2. 300S Softlight LED Luminaire Dimensions



NOTE

---

**PHILIPS**

# Strand Lighting

Strand Lighting  
Dallas  
10911 Petal Street  
Dalls, TX 75238  
Tel: 214-647-7880  
Fax: 214-647-8031

Strand Lighting  
New York  
267 5th Ave, 4th Floor,  
New York, NY 10016  
Tel: 212-213-8219  
Fax: 212-532-2593

Strand Lighting Asia Limited  
Unit C, 14/F, Roxy Industrial Centre  
No.41-49 Kwai Cheong Road  
Kwai Chung, N.T., Hong Kong  
Tel: +852 2796 9786  
Fax: +852 2798 6545

Strand Selecon  
Auckland  
19-21 Kawana Street  
Northcote, Auckland 0627  
New Zealand  
Tel: +64 9 481 0100  
Fax: +64 9 481 0101

Strand Lighting  
Europe  
Marssteden 152  
Enschede 7547 TD  
The Netherlands  
Tel: +31 53 4500424  
Fax: +31 53 4500425

[www.strandlighting.com](http://www.strandlighting.com)