

PHILIPS

Ledinaire

LED range



Second rate or **simply great?**

Real professionals count on Philips Ledinaire:
great quality LED at an affordable price.

**REAL
PROs**
**REAL
QUALITY**

The Philips **Ledinaire** range of LED luminaires



**Ledinaire batten
BN060C/BN012C**



**Ledinaire waterproof
WT060C**



Pentura mini LED



**Ledinaire panel
RC065B/RC066B**



**Ledinaire recessed
RC060C**



**Ledinaire surface-
mounted SM060C**



**Ledinaire wall-mounted
WLO60V**



**Ledinaire downlight
DN060B**



**Ledinaire slim downlight
DN065B**



Ledinaire Zadora LED



Ledinaire ClearAccent



**Ledinaire floodlight
mini/maxi/with sensor**

Different product ranges to meet your needs

Each range has different specifications so you can choose the product that suits you.

	Ledinaire	CoreLine
Range	Selective range of popular types	Complete range, a solution for every application
Lumen maintenance of luminaires typically	30,000 hrs	50,000 hrs
Reliability level: driver failure rate	< 1.5% at 5,000 hrs	< 1% at 5,000 hrs
Warranty	3 years	3 + 2 years at registration
Design	Standard, robust design	Robust design with ease of installation in mind
Projects specifications available	<ul style="list-style-type: none"> • basic range and specifications only • non-office compliant • fixed output only. 	<ul style="list-style-type: none"> • Office compliant UGR<19 • Dali connectable • emergency lighting • different flux packages.

Switching to LED has never been simpler

The Philips Ledinaire range features a selection of popular LED luminaires that are energy efficient and reliable, at a price you can afford. We keep our prices competitive by focusing on those runner types that are most in demand, while keeping the packaging and service straightforward. Evidently you can be sure the product reliability achieves our high quality standards.

Great quality at a price you can afford



Affordable lighting
from the leading
name in LED



A range of popular
energy-saving
LED luminaires,
available off the
shelf



Quality you can
trust - you get
exactly what you
see on the box

Ledinaire batten BN060C /BN012C

Designed for general lighting and cove lighting applications.

Features:

- one-lamp 1600 lm and two-lamp 3200 lm version
- Philips CorePro LEDtube included (4000 K)
- light line up to ten battens
- mounting accessories included.

Benefits:

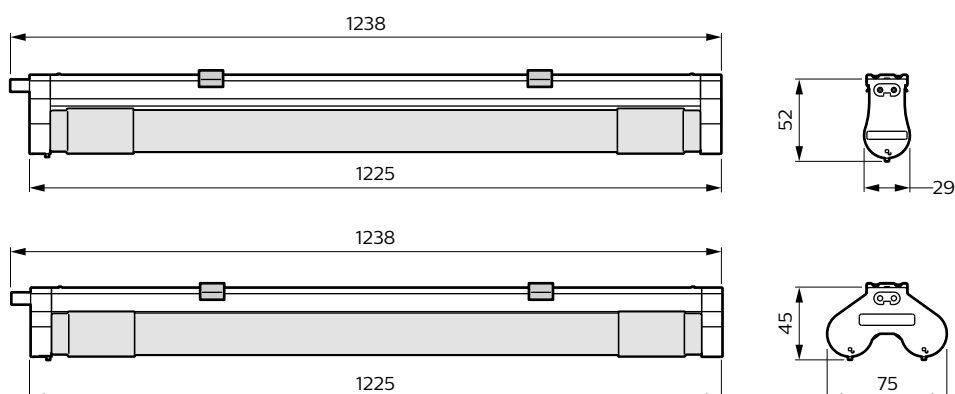
- Philips quality and reliability
- energy saving
- compact design.



Producttype	Light output	Power	CCT	EOC
	lm	W	K	
BN060C 1xTLED16/840 L1200	1600	18	4000	07007999
BN060C 2xTLED16/840 L1200	3200	36	4000	07009399
BN012C LED10S/840 L600	1000	10	4000	08822599
BN012C LED20S/840 L1200	2000	20	4000	08822499

Technical specifications

Mains voltage	220-240 V / 50-60 Hz
Lifetime	30,000 hrs L70B50
CRI	> 80
Connection	Flying leads/wires
IP rating	IP20
Power factor	0.9
Safety class	Class II
Housing material	Aluminum
Color	WH White



Ledinaire waterproof WT060C

Professional quality waterproof LED luminaire for use in a multitude of project applications.

Features:

- robust and waterproof luminaire
- 1200 mm & 1500 mm length
- mounting bracket can be positioned over full length of luminaire.

Benefits:

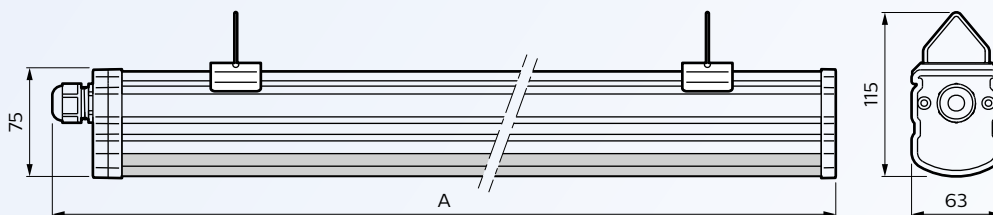
- Philips quality and reliability
- energy saving
- diffuse comfortable light.



Producttype	Light output	Power	CCT	Length	EOC
	lm	W	K	mm	
WT060C LED36S/840 PSU L1200	3600	36	4000	1180	06965399
WT060C LED56S/840 PSU L1500	5600	56	4000	1480	06967799

Technical specifications

Mains voltage	220-240 V / 50-60 Hz
Lifetime	30,000 hrs L70B50
CRI	> 80
Connection	Screw connection block
IP rating	IP65
IK rating	IK08
Glow wire test	850°
Power factor	0.9
Safety class	Class I
Housing material	Polycarbonate
Color	GR Grey (RAL7035)



Pentura mini LED

The ultimate integrated LED mini batten.

Features:

- ultra-slim LED batten
- available in 300, 600, 900 and 1200 mm lengths
- 3000 K & 4000 K versions
- non-trunkable version with on/off switch available.

Benefits:

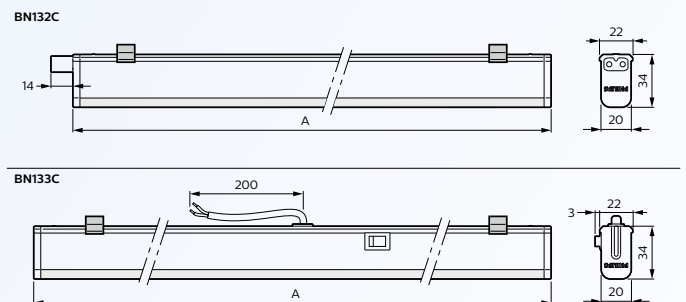
- Philips quality and reliability
- energy saving
- compact design.



Producttype	Light output	Power	CCT	Length	EOC
	lm	W	K	mm	
BN132C LED12S/840 PSU L1200	1250	14	4000	1184	07243199
BN132C LED12S/830 PSU L1200	1250	14	3000	1184	07244899
BN132C LED9S/840 PSU L900	950	10	4000	884	07245599
BN132C LED9S/830 PSU L900	950	10	3000	884	07246299
BN132C LED6S/840 PSU L600	650	7	4000	584	07247999
BN132C LED6S/830 PSU L600	650	7	3000	584	07248699
BN132C LED3S/840 PSU L300	350	4	4000	324	07249399
BN132C LED3S/830 PSU L300	350	4	3000	324	07250999
BN133C LED6S/840 PSU L600	650	7	4000	584	07251699
BN133C LED6S/830 PSU L600	650	7	3000	584	07252399

Technical specifications

Mains voltage	220-240 V / 50-60 Hz
Lifetime	40,000 hrs L70B50
CRI	> 80
Connection	Flying leads/wires
IP rating	IP40
Power factor	0.9
Safety class	Class II
Housing material	Polycarbonate
Color	WH White



On/off switch BN133C

Ledinaire panel RC065B /RC066B

NEW

Energy efficient, professional luminaire for general lighting applications.

Features:

- accessories for plaster, surface-mounted and suspension available
- 3200 lm light output
- 4000 K version
- modern, unobtrusive design.

Benefits:

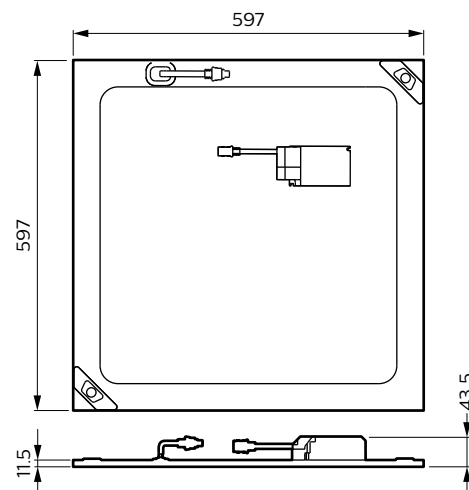
- Philips quality and reliability
- energy saving
- diffuse comfortable light.



Producttype	Light output	Power	CCT	EOC
	lm	W	K	
RC065B LED32S/840 PSU W60L60 NOC	3200	42	4000	07328599
RC065B LED34S/840 PSU W60L60 OC	3400	38	4000	08647499
RC066B LED34S/840 PSU W62L62 OC	3400	38	4000	08649800

Technical specifications

Mains voltage	220-240 V / 50-60 Hz
Lifetime	30,000 hrs L70B50
CRI	> 80
Connection	Push-in with pull-relief
IP rating	IP20
Power factor	0.9
Safety class	Class II
Housing material	Painted steel
Color	WH White (RAL9016)



Available mounting accessories

		EOC
RC125Z SME-2 WH	Suspension	07334699
RC125Z SMB-PLC	Plaster ceiling version (PCV)	07333999
RC125Z SMB W60L60	Surface-mounted (SM)	07330899
RC125Z SC	Safety cable	07335399

Ledinaire recessed RC060B and Ledinaire surface-mounted SM060C

Energy efficient, professional luminaire for general lighting applications.



Recessed



Surface-mounted

Features:

- square and rectangular versions available
- recessed and surface-mounted versions
- 3000 K & 4000 K versions
- 3200 lm light output.

Benefits:

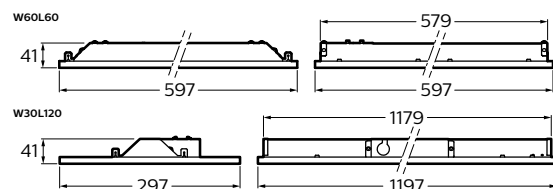
- Philips quality and reliability
- energy saving
- diffuse comfortable light.

Producttype	Light output	Power	CCT	EOC
	lm	W	K	
RC060B LED32S/840 PSU W60L60	3200	36	4000	06958500
RC060B LED32S/830 PSU W60L60	3200	36	3000	06959200
RC060B LED32S/840 PSU W30L120	3200	36	4000	06960800
RC060B LED32S/830 PSU W30L120	3200	36	3000	06961500
SM060C LED32S/840 PSU W20L120	3200	36	4000	06962200
SM060C LED32S/830 PSU W20L120	3200	36	3000	06963900

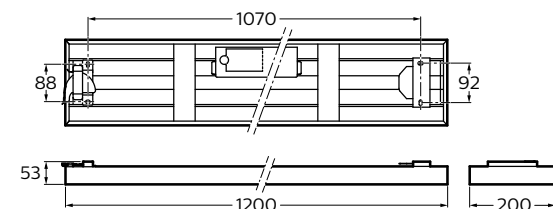
Technical specifications

Mains voltage	220-240 V / 50-60 Hz
Lifetime	30,000 hrs L70B50
CRI	> 80
Connection	Push-in with pull-relief
IP rating	IP20
Power factor	0.9
Safety class	Class I
Housing material	Painted steel
Color	WH White (RAL9003)

Recessed



Surface-mounted



Ledinaire wall-mounted WL060V

Energy efficient, professional wall-mounted luminaire for transportation areas.

Features:

- 1100 lm & 1700 lm light output
- 3000 K & 4000 K versions
- possibility for through wiring
- optional motion detection and daylight sensor.

Benefits:

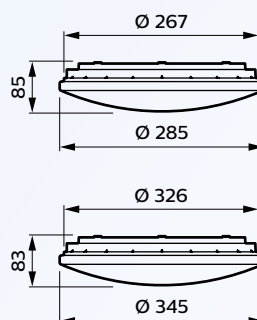
- Philips quality and reliability
- energy saving
- diffuse comfortable light
- easy to install



Producttype	Light output	Power	CCT	EOC
	lm	W	K	
WL060V LED11S/830 PSU II WH	1100	14.5	3000	871869938231599
WL060V LED11S/840 PSU II WH	1100	14.5	4000	871869938232299
WL060V LED17S/830 PSU II WH	1700	22	3000	871869938233999
WL060V LED17S/840 PSU II WH	1700	22	4000	871869938234699
WL060V LED17S/830 PSU MDU II WH	1700	22	3000	871869938235399
WL060V LED17S/840 PSU MDU II WH	1700	22	4000	871869938236099

Technical specifications

Mains voltage	220-240 V / 50-60 Hz
Lifetime	30,000 hrs L70B50
Driver N	Non-dimmable driver (PSU)
CRI	> 80
Connection	Push-in connector
IP rating	IP44
Power factor	0.9
Safety class	Class II
Housing body material	Polycarbonate
Cover material	PMMA
Color	WH White



Ledinaire downlight DN060B

Energy efficient, professional luminaire for general lighting applications.

Features:

- 800 lm & 1800 lm light output
- 3000 K & 4000 K versions
- modern, unobtrusive design.

Benefits:

- Philips quality and reliability
- energy saving
- diffuse comfortable light.

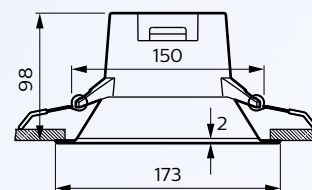
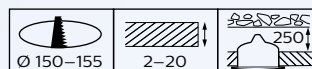


Producttype	Light output	Power	CCT	EOC
	lm	W	K	
DN060B LED8S/830 PSU WH	800	9	3000	30662999
DN060B LED8S/840 PSU WH	800	9	4000	30664399
DN060B LED18S/830 PSU WH	1800	18	3000	30661299
DN060B LED18S/840 PSU WH	1800	18	4000	30663699

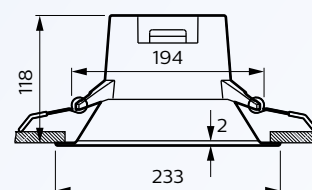
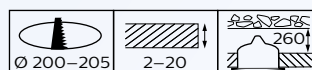
Technical specifications

Mains voltage	220-240 V / 50-60 Hz
Lifetime	30,000 hrs L70B50
Driver	Non-dimmable driver (PSU)
CRI	> 80
Connection	Push-in with pull-relief
IP rating	IP20
Power factor	0.9
Safety class	Class I
Housing body material	Polycarbonate
Reflector material	Steel
Diffuser material	PMMA
Color	WH White (RAL9016)

LED8S



LED18S



Ledinaire slim downlight DN065B

Energy efficient, professional wall-mounted luminaire for general lighting applications.

Features:

- 1000 lm & 2000 lm light output
- 3000 K & 4000 K versions
- modern, unobtrusive design



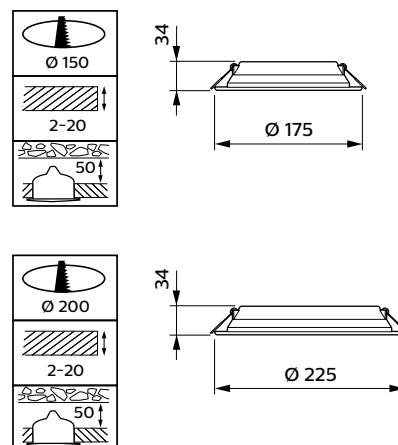
Benefits:

- Philips quality and reliability
- energy saving
- diffuse comfortable light

Producttype	Light output	Power	CCT	EOC
	lm	W	K	
DN065B LED10S/830 PSU II WH	1000	11	3000	38175299
DN065B LED10S/840 PSU II WH	1000	11	4000	38176999
DN065B LED20S/830 PSU II WH	2000	23	3000	38177699
DN065B LED20S/840 PSU II WH	2000	23	4000	38178399

Technical specifications

Mains voltage	voltage 220-240 V / 50-60 Hz
Lifetime	30,000 hrs L70B50
Driver	Non-dimmable driver (PSU)
CRI	> 80
Connection	Fly-wire with screw terminal
IP rating	IP20
Power factor	0.8
Safety class	Class II
Housing body material	Polycarbonate
Diffuser material	PMMA
Color	WH White (RAL9016)



Ledinaire Zadora LED

Recessed spot kit including replaceable LED lamp.

Features:

- WH White or ALU Aluminium finish available
- 2700 K, 3000 K & 4000 K versions
- kits with different LED lamps available.



Benefits:

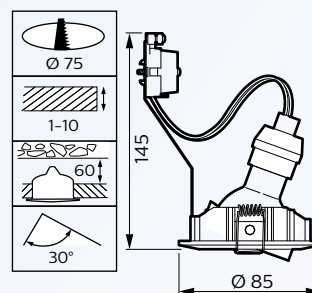
- Philips quality and reliability
- energy saving
- replaceable LED lamps.

Spot name	Lifetime (L70B50)	Beam angle	Dimmable
MASTER LEDspot Value	25,000 hrs	36D	Yes

Producttype	Light output	Power	CCT	EOC
	lm	W	K	
RS049B LED-MS-36-5W-2700-GU10 WH 50W	355	4.9	2700	07012399
RS049B LED-MS-36-5W-3000-GU10 WH 50W	365	4.9	3000	07015499
RS049B LED-MS-36-5W-4000-GU10 WH 50W	380	4.9	4000	07013099
RS049B LED-MS-36-5W-2700-GU10 ALU 50W	355	4.9	2700	07014799
RS049B LED-MS-36-5W-3000-GU10 ALU 50W	365	4.9	3000	07016199

Technical specifications

Mains voltage	220-240 V / 50-60 Hz
Driver	Dimmable on leading and trailing edge dimmers
CRI	> 80
Connection	Screw connection block
IP rating	IP20
Power factor	0.9
Safety class	Class II
Housing material	Polycarbonate
Color	WH White or ALU Aluminium



Ledinaire ClearAccent

LED Luminaire with integrated driver.

Features:

- fixed and adjustable versions available
- 3000 K & 4000 K versions
- 500 lm light output
- modern, unobtrusive design.

Benefits:

- Philips quality and reliability
- energy saving
- faceted reflector look and feel
- easy installation with driver on-board.

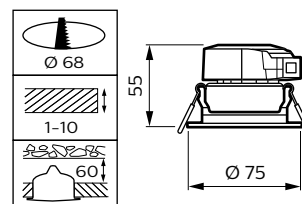


Producttype	Light output	Power	CCT	EOC
	lm	W	K	
RS060B LED5-36-/830 PSR II WH	500	6	3000	07267799
RS060B LED5-36-/840 PSR II WH	500	6	4000	07268499
RS061B LED5-36-/830 PSR II WH	500	6	3000	07269199
RS061B LED5-36-/840 PSR II WH	500	6	4000	07270799

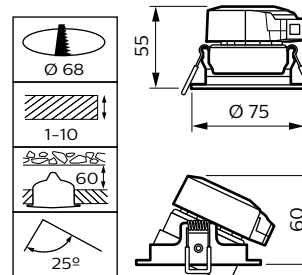
Technical specifications

Mains voltage	220-240 V / 50-60 Hz
Lifetime	25,000 hrs L70B50
Beam angle	36 degrees
Driver	Dimmable driver (PSR)
CRI	> 80
Connection	Screw connection block
IP rating	IP20
Power factor	0.9
Safety class	Class II
Housing material	Aluminium
Color	WH White (RAL9010)

RS060B



RS061B



Ledinaire floodlight mini

Energy efficient, professional floodlight for outdoor residential, commercial and industrial areas.

Features:

- robust LED floodlights range, 1 to 1 replacement of Halogen / HID
- 10W / 30W / 50W versions
- IP65 / IK07
- symmetrical beam
- 35 khrs L70B50
- prewired connection



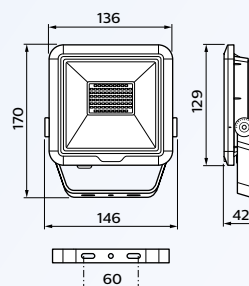
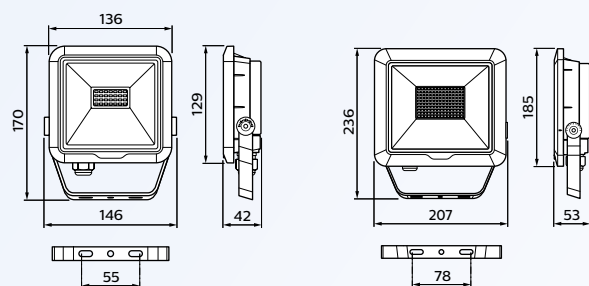
Benefits:

- Philips quality and reliability
- energy saving
- easy installation

Family name	12NC	Product description	EOC
Ledinaire floodlight mini	912401483116	BVP105 LED9/840 PSU VWB100	871869938411199
Ledinaire floodlight mini	912401483117	BVP105 LED25/840 PSU VWB100	871869938412899
Ledinaire floodlight mini	912401483118	BVP105 LED45/840 PSU VWB100	871869938413599

Technical specifications

Mains voltage	220-240 V / 50-60 Hz
Lifetime	35.000 hrs L70B50
CRI	> 80
Connection	flying leads/wires
IP rating	IP65
IK rating	IK07
Power factor	0,98
Safety class	Class I
Housing material	Aluminium / Polycarbonate
Color	Dark Grey



Ledinaire floodlight maxi

Energy efficient, professional floodlight for outdoor general areas.

Features:

- robust LED floodlights range, 1 to 1 replacement of HID
- 100W & 200W versions
- IP65/IK08
- symmetrical beam
- 50 Khrs L70B50
- prewired connection



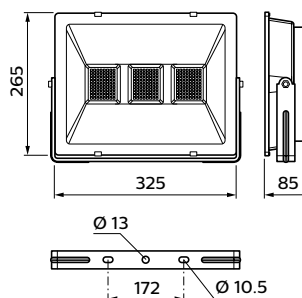
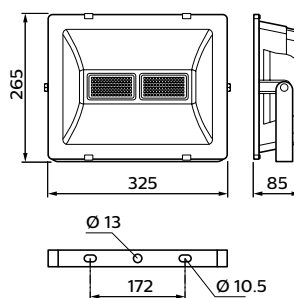
Benefits:

- Philips quality and reliability
- energy saving
- easy installation

Family name	12NC	Product description	EOC
Ledinaire floodlight maxi	912401483114	BVP106 LED100/740 PSU VWB100	871869938406799
Ledinaire floodlight maxi	912401483115	BVP106 LED200/740 PSU VWB100	871869938408100

Technical specifications

Mains voltage	220-240 V / 50-60 Hz
Lifetime	50,000 hrs L70B50
CRI	> 70
Connection	flying leads/wires
IP rating	IP65
IK rating	IK08
Power factor	0,95
Safety class	Class I
Housing material	Aluminium / Glass
Color	Dark Grey



NEW

Ledinaire floodlight with motion sensor

Energy efficient, professional outdoor floodlight range with motion sensor for general areas.

Features:

- 1:1 halogen / HID Robust LED floodlights range
- 10W / 30W / 50W versions
- IP65 / IK07
- symmetrical beam
- 35 khrs L70B50
- prewired connection
- motion sensor

Benefits:

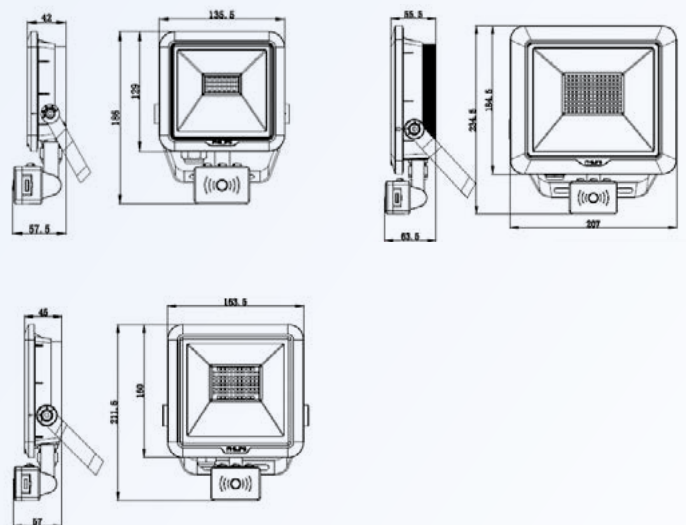
- Philips quality and reliability
- energy saving
- easy installation



Family name	12NC	Product description	EOC
Ledinaire floodlight with motion sensor	912401483141	BVP105 LED9/840 PSU VWB100 MDU	871869938486999
Ledinaire floodlight with motion sensor	912401483142	BVP105 LED25/840 PSU VWB100 MDU	871869938488399
Ledinaire floodlight with motion sensor	912401483143	BVP105 LED45/840 PSU VWB100 MDU	871869938490699

Technical specifications

Mains voltage	220-240 V / 50-60 Hz
Lifetime	35 khrs L70B50
CRI	> 80
Connection	flying leads/wires
IP rating	IP65
IK rating	IK07
Power factor	0,98
Safety class	Class I
Housing material	Aluminium / Polycarbonate
Color	Dark Grey
Controls	motion sensor





©2018 Philips Lighting Holding B.V. All rights reserved. This document contains information relating to Philips Lighting product portfolio. Note that the information provided is subject to change. Philips Lighting does not give any representation or warranty as to the accuracy or completeness of the information included herein and shall not be liable for any action in reliance thereon. The information presented in this document is not intended as any commercial offer and does not form part of any quotation or contract. Trademarks are the property of Koninklijke Philips N.V., Philips Lighting Holding B.V. or their respective owners.

www.philips.com/ledinaire