

# TV and location lights **150S**

A slimline LED studio softlight designed specifically for TV broadcast lighting. Higher than 90 CRI and consistent cool white 5600K and warm white 3100K, in a soft even output. Conventional cooling without fans to offer a quiet operation environment during TV program recording.

A large illuminance output area, 50° beam angle for a smooth even output to a far distant object. High performance optical system formed by a high quality PMMA convex lens and frost panel filter. With on board full color LCD display, all necessary data such as DMX address, intensity, Cd value, CRI, LED/tungsten mode, curve type, CCT and internal temperature can be viewed at all times. With the simple “touch and turn” design, all parameters can be easily adjusted.

# Product data



## Features and benefits

- Fixed stable color temperature.
- High TLCI.
- No fans - silent cooling.
- Real time intensity display.
- Selectable LED or “tungsten” response.
- Color LCD display.
- Easy “touch & turn” operation.
- Local and DMX control.
- RDM setup.
- powerCON AC and 5 pin DMX in & thru connectors.
- Two year limited warranty.

Source	LED
Wattage	150W
Color temperature	3100K 5600K
TLCI	94 96
Beam angle	50°
Lens size	–
Color filter size	585 x 238mm (23 x 9.4in)
Dimming	Local DMX 8 or 16-bit
Operating voltage	220-240VAC (auto-ranging)
Frequency	50/60Hz
Current draw	0.68A
Power consumption	150W (max)
Ambient temperature	0-40°C
Cooling	Natural convection
Humidity	5-95% non-condensing
IP rating	IP20
Finish	Black
Construction	Aluminium extrusion and sheet
Dimensions H x W x D	593 x 327 x 117mm (23.35 x 12.87 x 4.6in) Manual operation 735 x 327 x 117mm (28.94 x 22.05 x 9.33in) Pole operation
Weight	8.4kg (18.52lb) Manual operation 9.5kg (20.94lb) Pole operation
Warranty	2 years

# Product data

## Philips Strand 150S

Type	Color temp	TLCI	Wattage	Beam	Overall dimensions W x H x D	Weight	Order Code
Manual operation	3100K	94	150W	50°	593 x 327 x 117mm (23.35 x 12.87 x 4.6in)	8.4kg (18.52lb)	150S3100K
Manual operation	5600K	96	150W	50°	593 x 327 x 117mm (23.35 x 12.87 x 4.6in)	8.4kg (18.52lb)	150S5600K
Pole operation	3100K	94	150W	50°	735 x 560 x 137mm (28.94 x 22.05 x 9.33in)	9.5kg (20.94lb)	150S3100KPO
Pole operation	5600K	96	150W	50°	735 x 560 x 137mm (28.94 x 22.05 x 9.33in)	9.5kg (20.94lb)	150S5600KPO

## Accessories

	Order Code
20° honeycomb	150SHC20
36° honeycomb	150HC36
8 leaf barndoor	150SBD8L

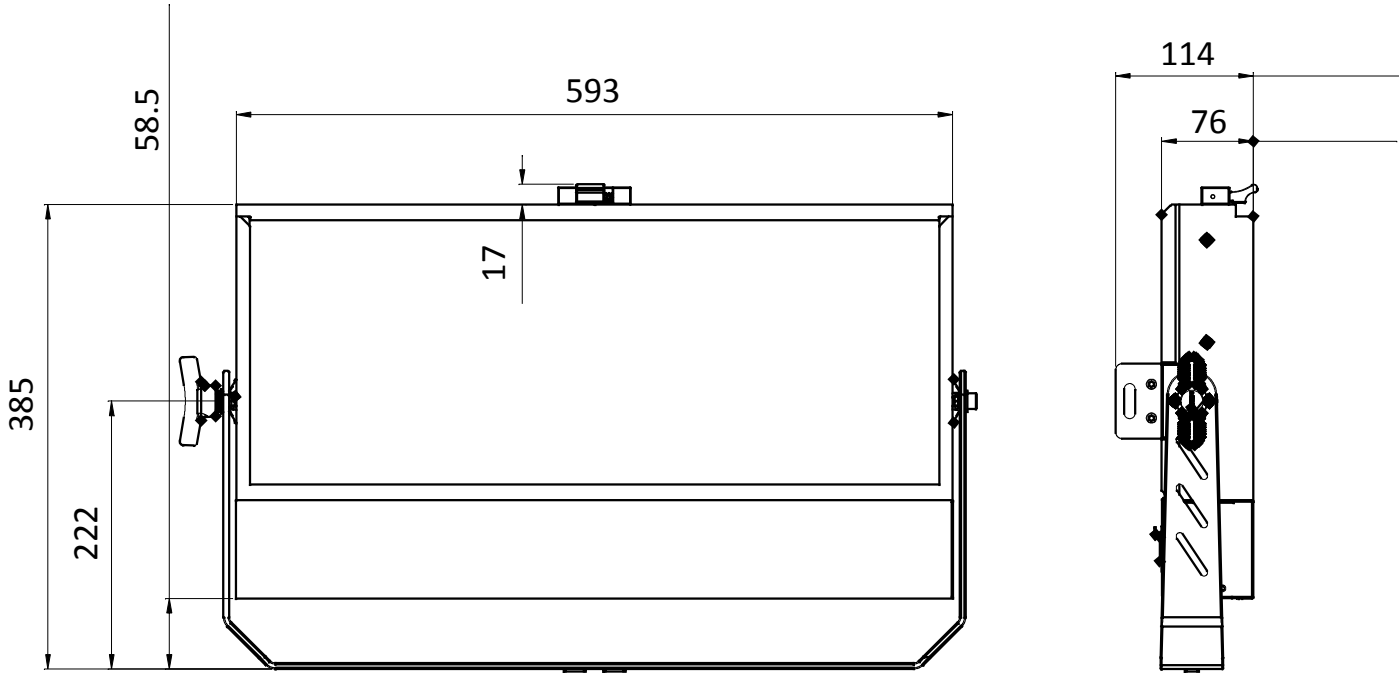
# Photometry

Ambient temperature: 25°C

	Stand alone	20° honeycomb	36° honeycomb
Beam angle	50°	20°	36°
Field angle	88°	39°	67°
Central intensity	12000Cd	7000Cd (loss 41.7%)	9850Cd (loss 18%)
Illuminance @ 5m	580lx	320lx	480lx

# Dimensional drawing

Manual operation version





© Philips Lighting Holding B.V. 2016. All rights reserved. Philips reserves the right to make changes in specification and/or to discontinue any product at any time without notice or obligation and will not be liable for any consequences resulting from the use of this publication.

[www.strandlighting.com](http://www.strandlighting.com)

01/2017

Data subject to change.