

# LEKO LITE

## Fixed and Variable Beam Angle Luminaires

Engineered with the needs of designers everywhere in mind, LEKO LITE Luminaires offer a wide range of rugged and dependable lights for the entertainment industry. These luminaires provide exceptional performance at an affordable price.

LEKO LITE luminaires offer excellent light output, superb distribution and the smoothest soft edge while maintaining beam size for sharp gobo, edge and shutter focus.

LEKO LITE luminaires are affordable, safe, and easy to use general-purpose stage lights. Whether your needs are for a small theatre, studio, display lighting, church, school, or a Broadway production, LEKO LITE luminaires provide designers with the tools needed to create the perfect look.

LEKO LITE lens and lamp housings are interchangeable with our previous SL ranges.

### Features

- Precision optical system with high-light output
- Multi-faceted dichroic glass reflector for maximum output performance
- X, Y, and Z axis beam peak/flat field adjustment for optimum performance
- Available in six fixed beam or two variable beam angle models
- Fixed beam models available in 5°, 10°, 19°, 26°, 36°, and 50° beam angles
- Variable beam models available in 15° to 32° and 23° to 50°
- Easy lamp change, using Philips FastFit technology, with out the use of tools
- Lamp options - 575W, 750W (115V) or 800W (230V) Philips Hi-Brite, FastFit lamps
- Consumes significantly less energy while providing more light than most conventional 1000W/1200W spotlights
- Easy access gobo/iris holders with two slots for gobo and iris
- Wide gate will fit 2 gobo holders, including glass gobo holder, drop-in iris or rotating gobo holder
- Three plane, four independent beam shutters for triangular shutter cuts
- Smooth 360° body rotation for quick and easy gobo and shutter positioning
- Tilt adjustment and positioning without the need for tools
- Large rear handle for easy positioning
- Quick and easy tool-less standard or short yoking.
- 120V or 230V operation
- ETL/cETL Listed and CE Marked



LEKO LITE Fixed Beam Angle Luminaires



LEKO LITE Variable Beam Angle Luminaires

**PHILIPS**  
**Strand Lighting**

### SPECIFICATION SUBMITTAL

CONSULTANT: <input type="text"/>	PROJECT NAME: <input type="text"/>	MODEL NUMBER   QUANTITY: <input type="text"/> <input type="text"/> <input type="text"/> <input type="text"/> <input type="text"/> <input type="text"/>
DATE: <input type="text"/>	PROJECT NUMBER: <input type="text"/>	APPROVED BY: <input type="text"/>

**360-Degree Body Rotation**



All LEKO LITE luminaires feature 360-degree body rotation to allow for any template or shutter angle. An easy-to-use lock of mechanism provides secure adjustment for any position.

**Quick and Easy Lamp Change**



Changing a lamp has never been easier. Designed using Philips FastFit lamp technology, lamps can be changed with one hand while on a ladder. Our new precision lamps align precisely. LEKO LITE luminaires have a smooth, easy-to-use field adjustment mechanism to easily adjust for peak and flat fields.

**Featuring Philips FastFit Lamps**



Philips FastFit lamps deliver superior light output and ease of use. The dichroic glass reflectors in LEKO LITE luminaires are optimized for the unique compact filament design for optimum performance. The unique twist lock socket design makes lamp changes easier than ever.

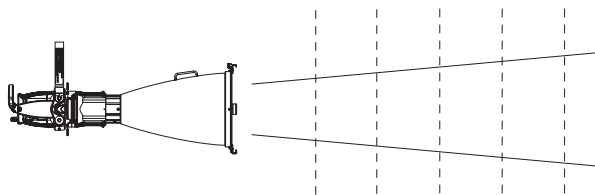


Fixed Beam Angle LEKO LITE Luminaire



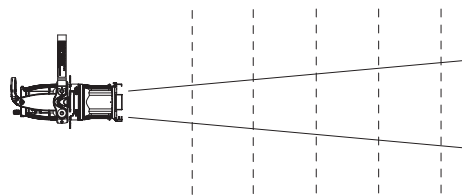
Variable Beam Angle LEKO LITE Luminaire

**Photometric Data (Fixed Beam Angle Luminaires)**



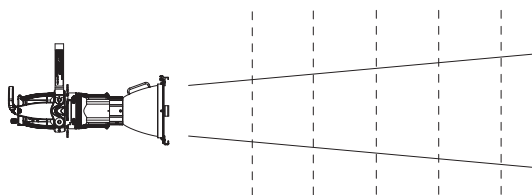
**11500C, 5° Fixed Angle Beam**

Distance (m)	5	10	15	20	25
Distance (ft)	16	32	48	64	80
Beam Ø (m)	0.4	0.9	1.3	1.7	2.2
Beam Ø (ft - in)	1 - 3	3 - 0	4 - 0	5 - 6	7 - 0
Illum (lux) 575W (LL)	37857	9464	4206	2366	1514
Illum (fc) 575W (LL)	3518	880	391	220	141
Illum (lux) 575W	50352	12588	5595	3147	2014
Illum (fc) 575W	4680	1170	520	292	187
Illum (lux) 750W	55972	13993	6219	3498	2239
Illum (fc) 750W	5202	1300	578	325	208
Illum (lux) 800W	42502	10625	4722	2656	1700
Illum (fc) 800W	3950	987	439	247	158



**11520C, 19° Fixed Angle Beam**

Distance (m)	5	10	15	20	25
Distance (ft)	16	32	48	64	80
Beam Ø (m)	1.7	3.4	5.0	6.7	8.4
Beam Ø (ft - in)	5 - 6	11 - 0	16 - 0	22 - 0	27 - 6
Illum (lux) 575W (LL)	5263	1316	585	329	211
Illum (fc) 575W (LL)	489	122	54	31	20
Illum (lux) 575W	7467	1867	830	467	299
Illum (fc) 575W	694	174	77	43	28
Illum (lux) 750W	8824	2206	980	552	353
Illum (fc) 750W	820	205	91	51	33
Illum (lux) 800W	7060	1765	784	441	282
Illum (fc) 800W	656	164	73	41	26



**11510C, 10° Fixed Angle Beam**

Distance (m)	5	10	15	20	25
Distance (ft)	16	32	48	64	80
Beam Ø (m)	0.9	1.8	2.6	3.5	4.4
Beam Ø (ft - in)	3 - 0	5 - 10	8 - 6	11 - 6	14 - 6
Illum (lux) 575W (LL)	13186	3297	1465	824	527
Illum (fc) 575W (LL)	1225	306	136	77	49
Illum (lux) 575W	18893	4723	2099	1181	756
Illum (fc) 575W	1756	439	195	110	70
Illum (lux) 750W	20328	5082	2259	1271	813
Illum (fc) 750W	1889	472	210	118	76
Illum (lux) 800W	17271	4318	1919	1079	691
Illum (fc) 800W	1605	401	178	100	64

**11530C, 26° Fixed Angle Beam**

Distance (m)	5	10	15	20	25
Distance (ft)	16	32	48	64	80
Beam Ø (m)	2.3	4.6	6.9	9.2	11.6
Beam Ø (ft - in)	7 - 6	15 - 0	23 - 0	30 - 0	38 - 0
Illum (lux) 575W (LL)	4369	1092	485	273	175
Illum (fc) 575W (LL)	406	102	45	25	16
Illum (lux) 575W	5710	1428	634	357	228
Illum (fc) 575W	531	133	59	33	21
Illum (lux) 750W	7366	1841	818	460	295
Illum (fc) 750W	685	171	76	43	27
Illum (lux) 800W	6572	1643	730	411	263
Illum (fc) 800W	611	153	68	38	24

**11540C, 36° Fixed Angle Beam**

Distance (m)	5	10	15	20	25
Distance (ft)	16	32	48	64	80
Beam Ø (m)	3.3	6.5	9.8	13.0	16.3
Beam Ø (ft - in)	11 - 0	21 - 0	32 - 0	42 - 6	53 - 6
Illum (lux) 575W (LL)	2304	576	256	144	92
Illum (fc) 575W (LL)	214	54	24	13	9
Illum (lux) 575W	2910	728	323	182	116
Illum (fc) 575W	270	68	30	17	11
Illum (lux) 750W	3832	958	426	240	153
Illum (fc) 750W	356	89	40	22	14
Illum (lux) 800W	3491	873	388	218	140
Illum (fc) 800W	324	81	36	20	13

**11550C, 50° Fixed Angle Beam**

Distance (m)	5	10	15	20	25
Beam Ø (m)	4.7	9.3	14.0	18.7	23.3
Beam Ø (ft - in)	15 - 6	30 - 6	46 - 0	61 - 0	76 - 6
Illum (lux) 575W (LL)	1062	265	118	66	42
Illum (fc) 575W (LL)	99	25	11	6	4
Illum (lux) 575W	1343	336	149	84	54
Illum (fc) 575W	125	31	14	8	5
Illum (lux) 750W	1671	418	186	104	67
Illum (fc) 750W	155	39	17	10	6
Illum (lux) 800W	1472	368	164	92	59
Illum (fc) 800W	137	34	15	9	5

**For beam diameter at any distance for the following fixtures:**

- 11500C, 5° Fixed Beam Angle - multiply 0.087 x distance
- 11510C, 10° Fixed Beam Angle - multiply 0.175 x distance
- 11520C, 19° Fixed Beam Angle - multiply 0.335 x distance
- 11530C, 26° Fixed Beam Angle - multiply 0.462 x distance
- 11540C, 36° Fixed Beam Angle - multiply 0.650 x distance
- 11550C, 50° Fixed Beam Angle - multiply 0.933 x distance

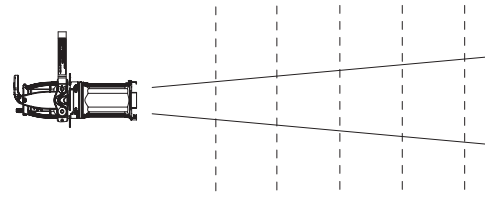
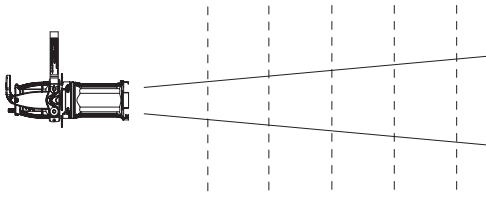
**Beam Diameter Example Calculations:**

- A 36° Fixed Beam Angle at 35-foot throw distance is 35 feet x 0.650 = 22 feet, 9 inch beam diameter
- A 36° Fixed Beam Angle at 10-meter throw distance is 10 meters x 0.650 = 6.50 meter beam diameter

**Note:**

(LL) designates 575W Long Life lamp.  
Some measurements, data rounded for clarity.

**Photometric Data (Variable Beam Angle Luminaires)**



**11430C, 15° to 32° Variable Angle Beam at 15°**

Distance (m)	5	10	15	20	25
Distance (ft)	16	32	48	64	80
Beam Ø (m)	1.3	2.6	3.9	5.3	6.6
Beam Ø (ft - in)	4 - 3	8 - 6	12 - 9	17 - 6	21 - 6
Illum (lux) 575W (LL)	6376	1594	708	399	255
Illum (fc) 575W (LL)	593	148	66	37	24
Illum (lux) 575W	8522	2131	947	533	341
Illum (fc) 575W	792	198	88	50	32
Illum (lux) 750W	9099	2275	1011	569	364
Illum (fc) 750W	846	211	94	53	34
Illum (lux) 800W	7831	1958	870	489	313
Illum (fc) 800W	728	182	81	45	29

**11440C, 23° to 50° Variable Angle Beam at 23°**

Distance (m)	5	10	15	20	25
Distance (ft)	16	32	48	64	80
Beam Ø (m)	2.0	4.1	6.1	8.1	10.2
Beam Ø (ft - in)	6 - 6	13 - 6	20 - 0	26 - 0	33 - 6
Illum (lux) 575W (LL)	3899	975	433	244	156
Illum (fc) 575W (LL)	362	91	40	23	15
Illum (lux) 575W	4789	1197	532	299	192
Illum (fc) 575W	445	111	49	28	18
Illum (lux) 750W	6429	1607	714	402	257
Illum (fc) 750W	597	149	66	37	24
Illum (lux) 800W	5921	1480	658	370	237
Illum (fc) 800W	550	138	61	34	22

**11430C, 15° to 32° Variable Angle Beam at 26°**

Distance (m)	5	10	15	20	25
Distance (ft)	16	32	48	64	80
Beam Ø (m)	2.3	4.6	6.9	9.2	11.6
Beam Ø (ft - in)	7 - 6	15 - 0	22 - 6	30 - 0	38 - 0
Illum (lux) 575W (LL)	4215	1054	468	263	169
Illum (fc) 575W (LL)	392	98	44	24	16
Illum (lux) 575W	5541	1385	616	346	222
Illum (fc) 575W	515	129	57	32	21
Illum (lux) 750W	6808	1702	756	426	272
Illum (fc) 750W	633	158	70	40	25
Illum (lux) 800W	5997	1499	666	375	240
Illum (fc) 800W	557	139	62	35	22

**11440C, 23° to 50° Variable Angle Beam at 35°**

Distance (m)	5	10	15	20	25
Distance (ft)	16	32	48	64	80
Beam Ø (m)	3.2	6.3	9.5	12.6	15.8
Beam Ø (ft - in)	10 - 6	20 - 6	31 - 0	41 - 0	52 - 0
Illum (lux) 575W (LL)	2066	516	230	129	83
Illum (fc) 575W (LL)	192	48	21	12	8
Illum (lux) 575W	2496	624	277	156	100
Illum (fc) 575W	232	58	26	15	9
Illum (lux) 750W	3479	870	387	217	139
Illum (fc) 750W	323	81	36	20	13
Illum (lux) 800W	3262	815	362	204	130
Illum (fc) 800W	303	76	34	19	12

**11430C, 15° to 32° Variable Angle Beam at 32°**

Distance (m)	5	10	15	20	25
Distance (ft)	16	32	48	64	80
Beam Ø (m)	2.9	5.7	8.6	11.5	14.3
Beam Ø (ft - in)	9 - 6	18 - 6	28 - 0	37 - 6	47 - 0
Illum (lux) 575W (LL)	2345	586	261	147	94
Illum (fc) 575W (LL)	218	54	24	14	9
Illum (lux) 575W	3533	883	393	221	141
Illum (fc) 575W	328	82	37	21	13
Illum (lux) 750W	4506	1127	501	282	180
Illum (fc) 750W	419	105	47	26	17
Illum (lux) 800W	3937	984	437	246	157
Illum (fc) 800W	266	91	41	23	15

**11440C, 23° to 50° Variable Angle Beam at 50°**

Distance (m)	5	10	15	20	25
Distance (ft)	16	32	48	64	80
Beam Ø (m)	4.7	9.3	14.0	18.7	23.3
Beam Ø (ft - in)	15 - 6	30 - 6	46 - 0	61 - 0	76 - 6
Illum (lux) 575W (LL)	968	242	108	61	39
Illum (fc) 575W (LL)	90	23	10	6	4
Illum (lux) 575W	1078	269	120	67	43
Illum (fc) 575W	100	25	11	6	4
Illum (lux) 750W	1629	407	181	102	65
Illum (fc) 750W	151	38	17	10	6
Illum (lux) 800W	1522	380	169	95	61
Illum (fc) 800W	141	35	16	9	6

**For beam diameter at any distance for the 11430 fixture:**

- At 15° Beam Angle - multiply 0.263 x distance
- At 26° Beam Angle - multiply 0.462 x distance
- At 32° Beam Angle - multiply 0.573 x distance

**For beam diameter at any distance for the 11440 fixture:**

- At 23° Beam Angle - multiply 0.407 x distance
- At 35° Beam Angle - multiply 0.631 x distance
- At 50° Beam Angle - multiply 0.933 x distance

**Beam Diameter Example Calculations:**

- A 26° Beam Angle at 35-foot throw distance is 35 feet x 0.462 = 16 feet, 2 inch beam diameter
- A 26° Beam Angle at 10-meter throw distance is 10 meters x 0.462 = 4.62 meter beam diameter

**Notes:**

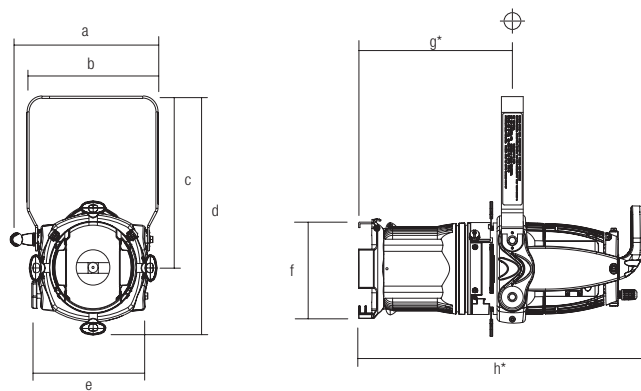
(LL) designates 575W Long Life lamp.  
Some measurements, data rounded for clarity.

**Dimensions**

**Models: 11520C, 11530C, 11540C, 11550C**

Model	LEKO LITE Luminaire Body					f	g*	h*
	a	b	c	d	e			
11520C	11.23 (285.2)	9.96 (253.0)	10.39 (263.9)	16.38 (416.1)	8.81 (223.8)	6.95 (176.5)	13.61 (345.7)	23.05 (585.5)
11530C	11.23 (285.2)	9.96 (253.0)	10.39 (263.9)	16.38 (416.1)	8.81 (223.8)	6.95 (176.5)	13.61 (345.7)	23.05 (585.5)
11540C	11.23 (285.2)	9.96 (253.0)	10.39 (263.9)	16.38 (416.1)	8.81 (223.8)	6.95 (176.5)	13.61 (345.7)	23.05 (585.5)
11550C	11.23 (285.2)	9.96 (253.0)	10.39 (263.9)	16.38 (416.1)	8.81 (223.8)	6.95 (176.5)	13.61 (345.7)	23.05 (585.5)

Note: \* Dimension shown is with lens fully extended. Lens travel is 2.5-inches (63.5 mm).

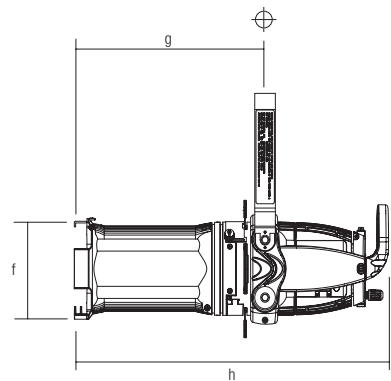


**LEKO LITE Luminaire Body**  
(Same for all models)

Note, lens not shown for clarity.

**Models: 11430C, 11440C**

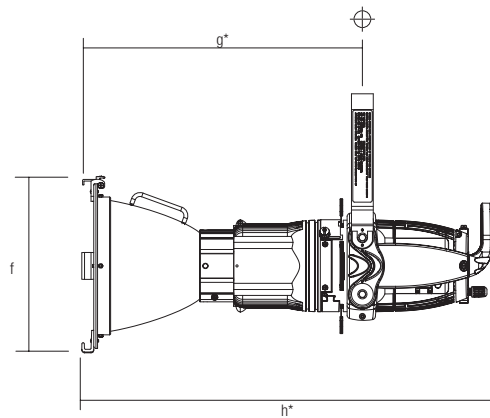
Model	LEKO LITE Luminaire Body					f	g	h
	a	b	c	d	e			
11430C	11.23 (285.2)	9.96 (253.0)	10.39 (263.9)	16.38 (416.1)	8.81 (223.8)	6.95 (176.5)	12.90 (327.7)	22.34 (567.4)
11440C	11.23 (285.2)	9.96 (253.0)	10.39 (263.9)	16.38 (416.1)	8.81 (223.8)	6.95 (176.5)	14.57 (370.1)	24.01 (609.9)



**Models: 11510C**

Model	LEKO LITE Luminaire Body					f	g*	h*
	a	b	c	d	e			
11510C	11.23 (285.2)	9.96 (253.0)	10.39 (263.9)	16.38 (416.1)	8.81 (223.8)	12.48 (317.0)	20.35 (516.9)	29.77 (756.2)

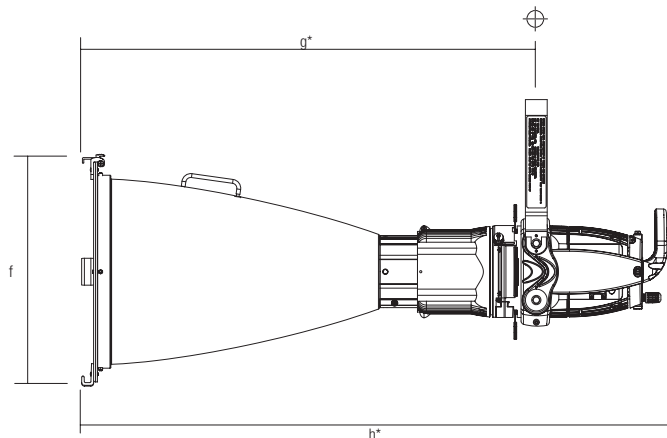
Note: \* Dimension shown is with lens fully extended. Lens travel is 2.5-inches (63.5 mm).



**Models: 11500C**

Model	LEKO LITE Luminaire Body					f	g*	h*
	a	b	c	d	e			
11500C	11.23 (285.2)	9.96 (253.0)	10.39 (263.9)	16.38 (416.1)	8.81 (223.8)	16.46 (418.1)	33.37 (847.6)	42.81 (1,087.4)

Note: \* Dimension shown is with lens fully extended. Lens travel is 2.5-inches (63.5 mm).



Note: All dimensions shown are in inches (mm).

<b>Technical Specifications</b>		Gobo Size:	B Size
Operating Voltages:	120V or 230V, 50/60 Hz	Color Frame Sizes:	6-1/4" x 6-1/4" (models: 11430C, 11440C, 11520C, 11530C, 11540C, 11550C)
Ratings:	Up to 800W		12" x 12" (models: 11510C)
AC Supply Cable:	39-inches (1 meter)		16" x 16" (models: 11500C)
Standards Compliance:	ETL/cETL Listed to UL1573 and CE Marked	Shutters:	Included, four independent shutters on three planes
Operating Temperature:	113°F (45°C) max. ambient	Lenses:	Crown glass coated aspheric lens
<b>Mechanical Data</b>		Reflector:	Multi-faceted, dichroic glass reflector
Construction:	Die cast aluminum housing with black epoxy powder coat. Stainless steel shutters.		
Gate:	Plated steel		
Weight:	11430C: 20.4 lbs / 9.3 kg		
	11440C: 20.2 lbs / 9.2 kg		
	11500C: 23.5 lbs / 10.7 kg		
	11510C: 19.7 lbs / 8.9 kg		
	11520C: 18.9 lbs / 8.6 kg		
	11530C: 18.9 lbs / 8.6 kg		
	11540C: 18.9 lbs / 8.6 kg		
	11550C: 18.9 lbs / 8.6 kg		



**Ordering Information**

**Cat. No. Description**

LEKO LITE Variable Beam Luminaires		Accessories	
<b>11430C</b>	15° to 32° Variable Beam Angle LEKO LITE Luminaire	<b>NPA</b>	Hi-Brite, FastFit, 575W 115V Long Life Lamp
<b>11440C</b>	23° to 50° Variable Beam Angle LEKO LITE Luminaire	<b>GRS</b>	Hi-Brite, FastFit, 750W 115V Lamp
<b>LEKO LITE Fixed Beam Luminaires</b>		<b>NPC</b>	Hi-Brite, FastFit, 800W 230V Lamp
<b>11500C</b>	5° Fixed Beam Angle LEKO LITE Luminaire	<b>GR</b>	15A NEMA 5-15P Male Edison Connector
<b>11510C</b>	10° Fixed Beam Angle LEKO LITE Luminaire	<b>GP</b>	20A, Male Stage Pin Connector
<b>11520C</b>	19° Fixed Beam Angle LEKO LITE Luminaire	<b>GTL</b>	20A, NEMA L5-20P Male Twist-Lock Connector
<b>11530C</b>	26° Fixed Beam Angle LEKO LITE Luminaire	<b>SC</b>	C-Clamp for 3/4-inch to 1-1/2-inch Pipe
<b>11540C</b>	36° Fixed Beam Angle LEKO LITE Luminaire	<b>82003</b>	Safety Cable
<b>11550C</b>	50° Fixed Beam Angle LEKO LITE Luminaire	<b>18045</b>	B-Size Gobo Holder
		<b>18145</b>	B-Size Gobo Holder, Glass
		<b>18049</b>	Iris (18 Leaf)
		<b>18114</b>	Color Frame
		<b>18115</b>	High Hat
		<b>18136</b>	5-Degree Color Frame
		<b>18137</b>	10-Degree Color Frame
		<b>18139</b>	10-Degree High Hat
		<b>18143</b>	Donut
		<b>18147</b>	5-inch Gel Frame Extender

Note: All LEKO LITE luminaires are supplied with 360° rotation mounting yoke, color frame, C-Clamp (SC), and AC power cable.

**Philips Strand Lighting**

**Dallas**  
10911 Petal Street  
Dallas, TX 75238  
Tel: +1 (214) 647-7880  
Fax: +1 (214) 647-8031

**New York**  
267 5th Ave, 4th Floor  
New York, NY 10016  
Tel: +1 (212) 213-8219  
Fax: +1 (212) 532-2593

**www.strandlighting.com**  
© Philips Group 2012  
All rights reserved.  
The Company reserves the right to make any variation in design or construction to the equipment described. E&OE

**Auckland**  
19-21 Kawana Street  
Northcote, Auckland 0627  
New Zealand  
Tel: +64 9 481 0100  
Fax: +64 9 481 0101

**Asia**  
Unit C, 14/F  
Roxy Industrial Centre  
No. 41-49 Kwai Cheong Road  
Kwai Chung, N.T., Hong Kong  
Tel: +852-2796-9786  
Fax: +852-2798-6545

**Europe**  
European Service & Distribution Centre  
Rondweg zuid 85  
Winterswijk 7102 JD  
the Netherlands  
Tel: +31 (0) 543-542516

