

Selecon Display Profile



The Selecon Display Profile is a sophisticated lighting instrument of timeless appearance with accurate beam shaping, two beam angle ranges: 15°-35° and 25°-50°, and precision projection optics.

The Display Profile delivers on Selecon's brand promise for performance (efficient optical system; high quality gobo projections); precision (accurate beam shaping; locking focus adjustments) and simplicity (intuitive operation).

Allen key lock offs and reference scales for all adjustments offers the means to effectively assure the integrity of the original lighting design.

Features

High light output for a fixture of this size, ideal for gobo projection and precise illumination.

Engineered from precision aluminum pressure die-castings.

Two zoom optical systems: 15°-35° and 25°-50°.

All adjustable parameters are lockable using allen key tool, including:

- Pan and tilt
- Rotatable lens tube - +/- 45°
- Zoom lens adjustments
- Shutters

Reference scales for all adjustments.

Internal gobo holder with external image alignment.

Shutters can be clamped in position.

Two front accessory slots for 3.660" diameter colored and UV glass filters; plastic filter holder.

Mounting options

The following mounting options (in colors matching the fixture) are available:

- Global or Lightolier track adapters.
- 5 inch canopy mount.
- Half coupler.
- Unistrut nut.

Approvals

ETL / cETL.

Colors



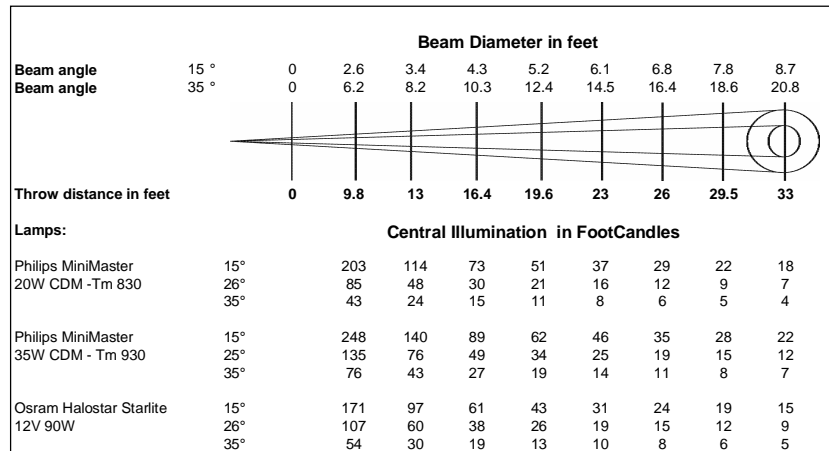
White - PANTONE® 11-4800 - Blanc de Blanc.

SPECIFICATION SUBMITTAL

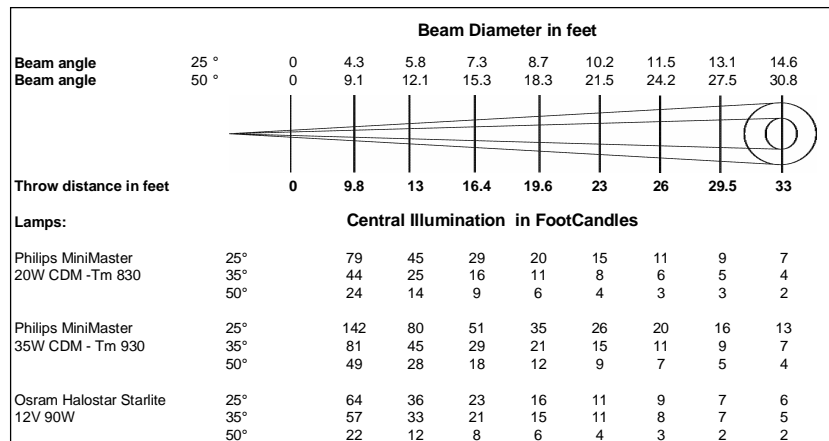
CONSULTANT: <input type="text"/>	PROJECT NAME: <input type="text"/>	MODEL NUMBER QUANTITY: <input type="text"/> <input type="text"/> <input type="text"/> <input type="text"/> <input type="text"/> <input type="text"/>
DATE: <input type="text"/>	PROJECT NUMBER: <input type="text"/>	APPROVED BY: <input type="text"/>

Performance data

SDP 15°-35° model:

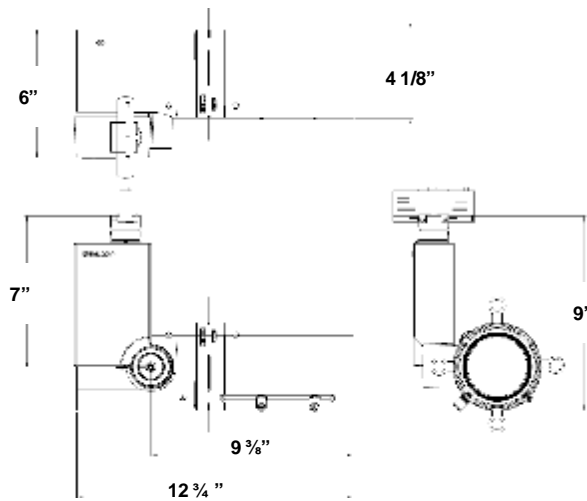


SDP 25°-50° model:



Physical data

Weight: 5lb 8oz.



Ordering information

SDP1535TH01120CAN01 White 15°-35° 12V 90W Tungsten Halogen Display Profile, no lamp, Canopy Mount
SDP1535TH01120TG01 White 15°-35° 12V 90W Tungsten Halogen Display Profile, no lamp, Global Track Adapter
SDP1535TH01120TLOL01 White 15°-35° 12V 90W Tungsten Halogen Display Profile, no lamp, Lightolier Track Adapter
SDP1535TH01120FL White 15°-35° 12V 90W Tungsten Halogen Display Profile, no lamp, Flying Lead**

SDP1535TH03120CAN03 Black 15°-35° 12V 90W Tungsten Halogen Display Profile, no lamp, Canopy Mount
SDP1535TH03120TG03 Black 15°-35° 12V 90W Tungsten Halogen Display Profile, no lamp, Global Track Adapter
SDP1535TH03120TLOL03 Black 15°-35° 12V 90W Tungsten Halogen Display Profile, no lamp, Lightolier Track Adapter
SDP1535TH03120FL Black 15°-35° 12V 90W Tungsten Halogen Display Profile, no lamp, Flying Lead**

SDP2550TH01120CAN01 White 25°-50° 12V 90W Tungsten Halogen Display Profile, Profile, no lamp, Canopy Mount
SDP2550TH01120TG01 White 25°-50° 12V 90W Tungsten Halogen Display Profile, no lamp, Global Track Adapter
SDP2550TH01120TLOL01 White 25°-50° 12V 90W Tungsten Halogen Display Profile, no lamp, Lightolier Track Adapter
SDP2550TH01120FL White 25°-50° 12V 90W Tungsten Halogen Display Profile, no lamp, Flying Lead**

SDP2550TH03120CAN03 Black 25°-50° 12V 90W Tungsten Halogen Display Profile, no lamp, Canopy Mount
SDP2550TH03120TG03 Black 25°-50° 12V 90W Tungsten Halogen Display Profile, no lamp, Global Track Adapter
SDP2550TH03120TLOL03 Black 25°-50° 12V 90W Tungsten Halogen Display Profile, no lamp, Lightolier Track Adapter
SDP2550TH03120FL Black 25°-50° 12V 90W Tungsten Halogen Display Profile, no lamp, Flying Lead**

Notes:

Display Luminaires do not include factory installed lamps. Lamps must be ordered separately and Luminaires must be lamped on site. This Display Luminaire is compatible with Reverse Phase Control (Trailing Edge) dimmers.

*** Please note that "Flying Lead" Display Luminaires ship with a 36 inch flying lead/tail with your choice of Pin Plug (-GP), Twist-Lock (-GTL), Edison (-GR) or Bare End (-BE) and includes a half coupler and standard unistrut channel nut and bolt assembly for pipe or unistrut mounting.*

SDP1535MH3501120CAN01 White 15°-35° 35W Metal Halide Display Profile, no lamp, Canopy Mount
SDP1535MH3501120TG01 White 15°-35° 35W Metal Halide Display Profile, no lamp, Global Track Adapter
SDP1535MH3501120TLOL01 White 15°-35° 35W Metal Halide Display Profile, no lamp, Lightolier Track Adapter
SDP1535MH3501120FL White 15°-35° 35W Metal Halide Display Profile, no lamp, Flying Lead**

SDP1535MH3503120CAN03 Black 15°-35° 35W Metal Halide Display Profile, no lamp, Canopy Mount
SDP1535MH3503120TG03 Black 15°-35° 35W Metal Halide Display Profile, no lamp, Global Track Adapter
SDP1535MH3503120TLOL03 Black 15°-35° 35W Metal Halide Display Profile, no lamp, Lightolier Track Adapter
SDP1535MH3503120FL Black 15°-35° 35W Metal Halide Display Profile, no lamp, Flying Lead**

SDP2550MH3501120CAN01 White 25°-50° 35W Metal Halide Display Profile, no lamp, Canopy Mount
SDP2550MH3501120TG01 White 25°-50° 35W Metal Halide Display Profile, no lamp, Global Track Adapter
SDP2550MH3501120TLOL01 White 25°-50° 35W Metal Halide Display Profile, no lamp, Lightolier Track Adapter
SDP2550MH3501120FL White 25°-50° 35W Metal Halide Display Profile, no lamp, Flying Lead**

SDP2550MH3503120CAN03 Black 25°-50° 35W Metal Halide Display Profile, no lamp, Canopy Mount
SDP2550MH3503120TG03 Black 25°-50° 35W Metal Halide Display Profile, no lamp, Global Track Adapter
SDP2550MH3503120TLOL03 Black 25°-50° 35W Metal Halide Display Profile, no lamp, Lightolier Track Adapter
SDP2550MH3503120FL Black 25°-50° 35W Metal Halide Display Profile, no lamp, Flying Lead**

Notes:

Display Luminaires do not include factory installed lamps. Lamps must be ordered separately and Luminaires must be lamped on site. This Display Luminaire is not suitable for dimming and should be used with a Non-Dim module or Constant Circuit.

*** Please note that "Flying Lead" Display Luminaires ship with a 36 inch flying lead/tail with your choice of Pin Plug (-GP), Twist-Lock (-GTL), Edison (-GR) or Bare End (-BE) and includes a half coupler and standard unistrut channel nut and bolt assembly for pipe or unistrut mounting.*

Ordering information cont.

SDP1535MH2001120CAN01	White 15°-35° 20W Metal Halide Display Profile, no lamp, Canopy Mount
SDP1535MH2001120TG01	White 15°-35° 20W Metal Halide Display Profile, no lamp, Global Track Adapter
SDP1535MH2001120TLOL01	White 15°-35° 20W Metal Halide Display Profile, no lamp, Lightolier Track Adapter
SDP1535MH2001120FL	White 15°-35° 20W Metal Halide Display Profile, no lamp, Flying Lead**

SDP1535MH2003120CAN03	Black 15°-35° 20W Metal Halide Display Profile, no lamp, Canopy Mount
SDP1535MH2003120TG03	Black 15°-35° 20W Metal Halide Display Profile, no lamp, Global Track Adapter
SDP1535MH2003120TLOL03	Black 15°-35° 20W Metal Halide Display Profile, no lamp, Lightolier Track Adapter
SDP1535MH2003120FL	Black 15°-35° 20W Metal Halide Display Profile, no lamp, Flying Lead**

SDP2550MH2001120CAN01	White 25°-50° 20W Metal Halide Display Profile, no lamp, Canopy Mount
SDP2550MH2001120TG01	White 25°-50° 20W Metal Halide Display Profile, no lamp, Global Track Adapter
SDP2550MH2001120TLOL01	White 25°-50° 20W Metal Halide Display Profile, no lamp, Lightolier Track Adapter
SDP2550MH2001120FL	White 25°-50° 20W Metal Halide Display Profile, no lamp, Flying Lead**

SDP2550MH2003120CAN03	Black 25°-50° 20W Metal Halide Display Profile, no lamp, Canopy Mount
SDP2550MH2003120TG03	Black 25°-50° 20W Metal Halide Display Profile, no lamp, Global Track Adapter
SDP2550MH2003120TLOL03	Black 25°-50° 20W Metal Halide Display Profile, no lamp, Lightolier Track Adapter
SDP2550MH2003120FL	Black 25°-50° 20W Metal Halide Display Profile, no lamp, Flying Lead**

Notes:

Display Luminaires do not include factory installed lamps. Lamps must be ordered separately and Luminaires must be lamped on site.

This Display Luminaire is not suitable for dimming and should be used with a Non-Dim module or Constant Circuit.

**** Please note that "Flying Lead" Display Luminaires ship with a 36 inch flying lead/tail with your choice of Pin Plug (-GP), Twist-Lock (-GTL), Edison (-GR) or Bare End (-BE) and includes a color coordinated half coupler and standard unistrut channel nut and bolt assembly for pipe or unistrut mounting.**

Accessories

SDPCF	Selecon Display Profile Color Frame For Plastic Filters
SDPGOBOASSY	Spare Gobo Holder Assembly - Complete for Selecon Display Profile
SDPDEMO120	SDP Demo Kit
SDPSDG	Selecon Display Profile Medium Diffusion Glass
SDPUV	Selecon Display Profile UV Glass Filter
20DHCW	Half Coupler, White
20DHCB	Half Coupler, Black

Gobo size: E

Outside diameter: 1 ½ "

Image area: 1"

To achieve the best results with your gobo projection:

- always use black matt finish gobos as these reduce internal light reflections.
- for custom / text logos please ensure the design is inside the 1" diameter area.

Lamps

SDPELE018	90W, GY6.35, Tungsten Halogen, Capsuline Lamp, 4000 Hours, M180 (ANSI Code)
SDPELE016	20W, PGJ5, CDM, Minimaster CDM-Tm 830 Lamp, 12000 Hours, M175 (ANSI Code)
SDPELE017	35W, PGJ5, CDM, Minimaster CDM-Tm 942 Lamp, 12000 Hours, M179 (ANSI Code)

© Philips Group 2014

All rights reserved.

The Company reserves the right to make any variation in design or construction to the equipment described. E&OE

063010NA

120810NA

072814NA

PHILIPS
Selecon