

# Acclaim Axial Zoomspot



The latest in compact filament lamps is combined with the efficiency of axial reflector systems and Selecon's custom optical design to produce an ellipsoidal fixture with precise beam control necessary for front stage lighting from auditorium positions.

The high quality beam is equally useful for gobo projection. The Acclaim Axial offers efficiency, strength and performance with a choice of two adjustable beam angle ranges.

## Features

Available in 18° - 34° or 24° - 44° beam angles.

Interchangeable lens tray between Medium and Wide versions, no tools required.

Hot mirror technology reduces the heat in the beam to protect gobos and color filters.

Adjustable beam Peak-Flat setting using central planetary gear.

Slot provided for Iris or rotatable (35°) gobo holder.

Cranked yoke with adjustable balance point.

Heat is managed out of the fixture through a combination of controlled infra red reflections; heat sinks and engineered air flow. Heat sensitive components such as the lamp socket and cabling are protected minimizing maintenance costs.

Permanently attached safety cable ensures that this important safety requirement is always on hand.

Integral micro-switch provides automatic disconnection of power to the fixture when opening to relamp, preventing a student or technician inserting a lamp into an electrically live fixture.

Three year warranty.

## Lamps: 115V

**575W GLC**  
15,000 lumens 400hrs average life

**575W GLA**  
13,500 lumens 1500hrs average life

## Ordering Information

**12ACX1834** Acclaim Axial 18°-34° Zoomspot

**12ACX2444** Acclaim Axial 24°-44° Zoomspot

**15ACAX1834LT** Acclaim Axial 18°-34° lens tray  
**15ACAX2444LT** Acclaim Axial 24°-44° lens tray

**15ACIRIS** Acclaim iris  
**15ACSM** Lens safety mesh  
**15ACGSH** Steel gobo holder M size  
**15ACGHGL** Glass gobo holder M size  
**ACCDONUT** Donut  
**20CFMF** Spare color frame  
**SC** Spare US theatrical C-clamp

For connector options please specify the following suffixes when ordering:

**-GR** NEMA 5-15P Grounded Edison  
**-GP** 20A Stage Pin Plug  
**-GTL** NEMA L5-20P Twist-Lock

## Approvals

ETL / cETL listed to UL 1573.

## SPECIFICATION SUBMITTAL

CONSULTANT: <input type="text"/>	PROJECT NAME: <input type="text"/>	MODEL NUMBER   QUANTITY: <input type="text"/> <input type="text"/> <input type="text"/> <input type="text"/> <input type="text"/> <input type="text"/>
DATE: <input type="text"/>	PROJECT NUMBER: <input type="text"/>	APPROVED BY: <input type="text"/>

## Photometric Data

Tests conducted using standard Philips lamps.

		Beam Diameter in ft									
Beam angle in ft	18 °	0.0	2.2	4.1	6.7	8.9	11.1	13.3	15.5	17.7	
Beam angle in ft	34 °	0.0	4.3	7.9	12.8	17.1	21.4	25.7	30.0	34.2	
Beam angle in ft	24 °	0.0	3.0	5.5	8.9	11.9	14.9	17.9	20.8	23.8	
Beam angle in ft	44 °	0.0	5.7	10.5	17.0	22.6	28.3	33.9	39.6	45.3	

		Light Output in Footcandles									
Lamp											
115V GLC 575W	18°	Peak	2694	781	299	168	108	75	55	42	
		Flat	1835	532	204	115	73	51	37	29	
	34°	Peak	1707	495	190	107	68	47	35	27	
		Flat	848	246	94	53	34	24	17	13	
	24°	Peak	1994	578	222	125	80	55	41	31	
		Flat	897	260	100	56	36	25	18	14	
	44°	Peak	938	272	104	59	38	26	19	15	
		Flat	500	145	56	31	20	14	10	8	

For Lux please multiply Fc by 10.7

## Physical Data

**Weight:** 12 lb 5 oz

**Color frame size:** 4 7/8" x 4 7/8"

**Gobo size:** M size

**Gobo holder width:** 3 3/4"

**AC supply cable:** 36"

**Included:** 4x shutters, 1x color frame, 1x safety cable, 1x C-clamp, instruction sheet.

### North America

10911 Petal Street  
Dallas, Texas 75238  
Tel: +1 214 647 7880  
Fax: +1 214 647 8030

267 5th Ave, 4th Floor  
New York, NY 10016  
Tel: +1 212 213 8219  
Fax: +1 212 532 2593

### New Zealand

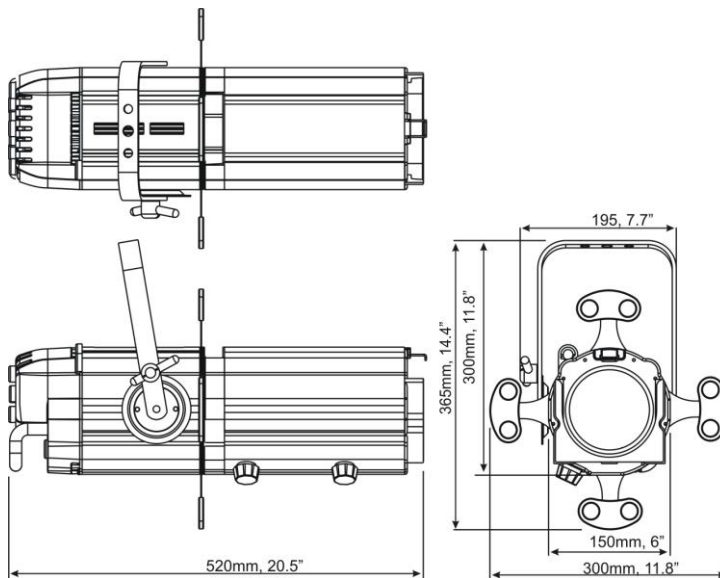
19-21 Kawana Street  
Northcote, Auckland 0627  
Tel: +64 9 481 0100  
Fax: +64 9 481 0101

### Hong Kong

Unit C, Block C 14/F.,  
Roxy Industrial Centre  
No. 41-49 Kwai Cheong Road  
Kwai Chung, N.T.  
Tel: +852 2796 9786  
Fax: +852 2798 6545

### European Service & Distribution Centre

Marssteden 152  
Enschede 7547 TD  
the Netherlands  
Tel: +31 53 450 0424  
Fax: +31 53 450 0425



© Philips Group 2010

All rights reserved.

The Company reserves the right to make any variation in design or construction to the equipment described.  
E&OE

120511NA

**PHILIPS**  
**Selecon**