

Product Specification Sheet

Rama 175 HP 80V Fresnel



The Rama 175 High Performance 80V Fresnel combines the well proven advantages of lower voltage lamps (higher efficiency; whiter light) with the performance advantages of the Rama High Performance Fresnel, viz. an adjustable cone of light with a soft edge that is easily blended with adjacent beams to provide even high illumination.

The Rama 175 High Performance 80V Fresnel produces a beam approaching the visual output of a mains voltage 2.0kW Fresnel. The cool touch features, small size and light weight make this a very operator-friendly luminaire which is available with your choice of either an 80V independent variable output power supply with direct DMX control or a standard 80V power supply for 220-240V dimmer output connection.

Features

Higher colour temperature (3300K) crisp white light, from a compact, lightweight luminaire.

Cool touch design, with operator touch points protected from the heat. Constructed of aluminium extrusion and moulded engineering plastics.

Integrated safety bond rated for the fitting; maximum free length = 670mm.

Adjustable yoke balance point.

Easy access to lamp or cleaning from the 'swing-down' door. Disconnects the power supply on opening.

Smooth 'posi-slide' focus system, no metal to metal contact.

Heat-insulated rear grab

Tilt and focus scales are in real degrees allowing for accurate recording or pre focussing.

Lamp

80V 1200W
37,500 lumens 300 hrs average life

Order Codes

16RAFR17580V
Rama 175 HP 80V Fresnel luminaire only
+ the choice of either

18DMX80VPS
80V Power Supply for direct DMX control
or

18PAC80VPS
80V Power Supply for connection to dimmer output

20BDRA
Rama barndoor

20BDRA8
Rama barndoor – eight leaf

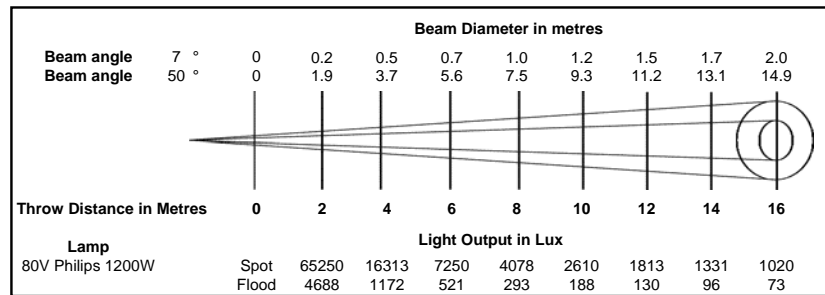
20SM6
Rama lens safety mesh

Approvals

Compliant to CE standards.

Photometric Data

Tests conducted using a standard 80V, 1200W lamp.



Peak candela at 7° - 261,000
Peak candela at 50° - 18,750

Field - 14°
Field - 57°

Physical Data

Weight: 5.3kg + Power Supply

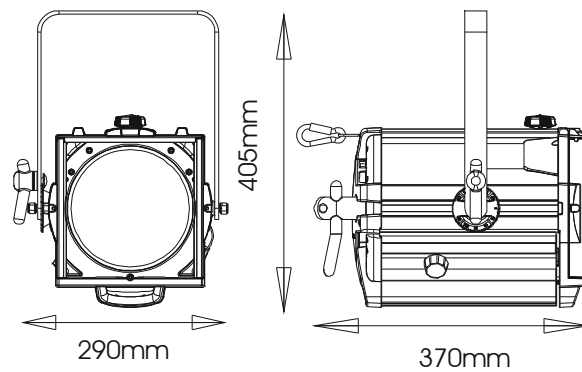
Packed Weight: 6.2kg

Colour Frame Size: 186mm x 190mm

Included: 1 x colour frame, yoke nut & bolt, lens safety mesh, instruction sheet

Power supply can be fitted to the luminaire yoke or mounted adjacent on the lighting bar.

220 – 240V operation only.



Selecon reserves the right to change the specifications without notice (January 2014)