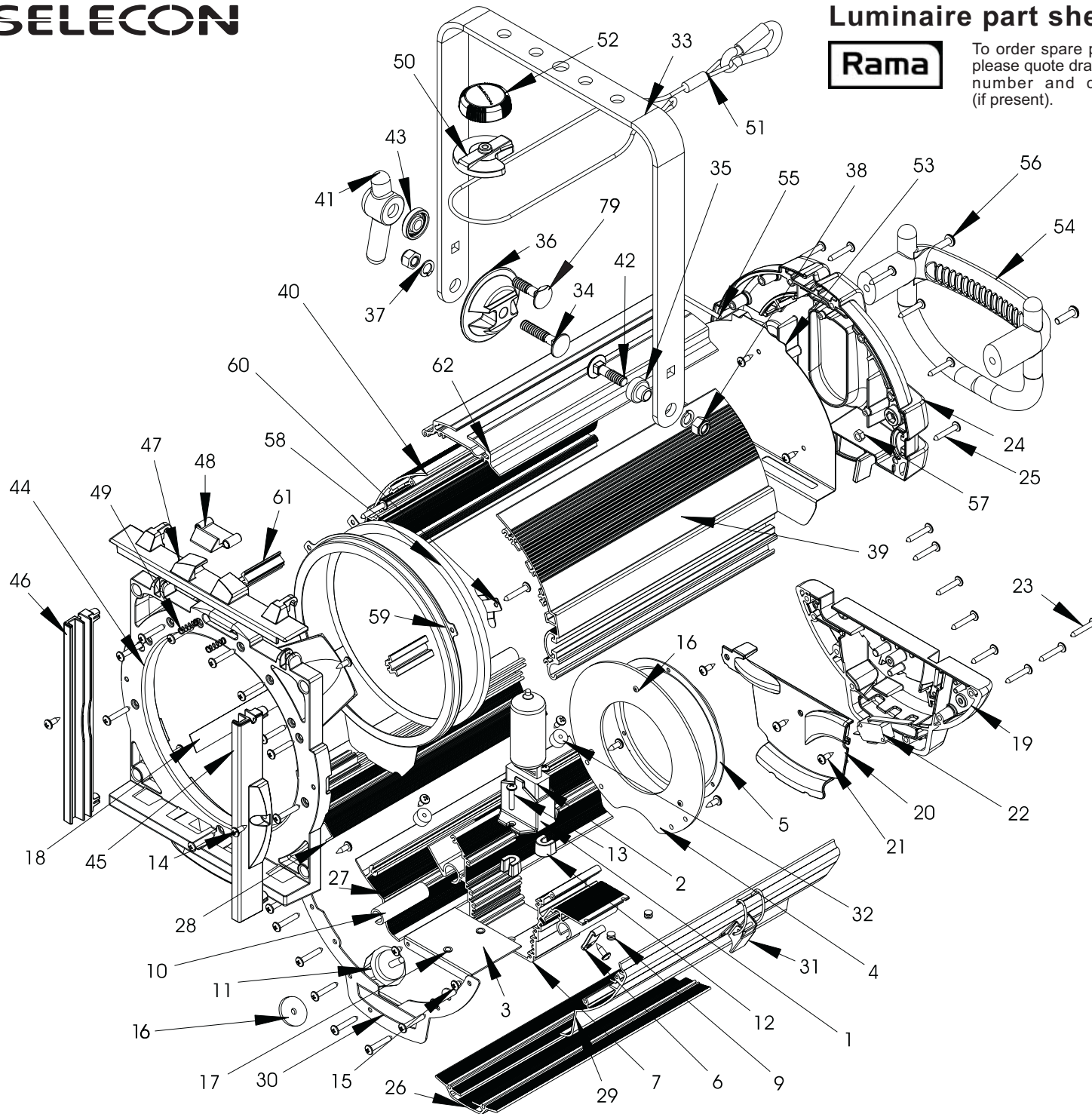


Rama

To order spare parts please quote drawing number and code (if present).



No.	Code	Description
1		Lamp base
2		Lamp
3	RASHT010 for T29/T19 or RASHT012 for P28	Reflector mount plate
4	RASHT002	Reflector
5	RAREF001	Cable clamp
6	RAPLA010	Lamp tray extrusion
7	RAEXT001	M5 PEM nut
8		Lamptray bearing Teflon runner
9	1200MET001	Lamptray bearing
10	RAMET004	Focus knob
11	COMPLA002	Spacer for T19 lamp
12	RAPLA019	Screw M4 x 20mm
13		Screw 8 x 1/2 self tapping
14		Screw 6 x 1-4 self tapping
15		Teflon washer
16	1200PLA009	M4 PEM nut
17		Focus scale label
18	RALAB001, 2, 3 or 4	Rear tray electric compartment
19	RAPLA005	Cover electric compartment
20	RAPLA007	Screw 8 x 3/8 self tapping, mush
21		Microswitch
22	MSRA	Screw 6 x 1 self tapping
23		Rear top
24	RAPLA006	Screw 6 x 1 self tapping
25		Extrusion opening tray base
26	RAEXT002	Extrusion opening tray left
27	RAEXT003	Extrusion opening tray left top
28	RAEXT004	Extrusion opening tray right
29	RAEXT005	Tray support front
30	RASHT001	Door latch
31	AURFAST001	Lamptray stop
32	1200PLA008	Yoke
33	RAYOK001	Coach bolt M8 x 40mm
34		Yoke spacer 8mm
35	1200MET012	Locking disk
36	RAPLA016	Flat washer M8 x 16
37		Lock nut M8
38		Extrusion body side 2
39	RAEXT009	Extrusion body side 1
40	RAEXT006	Tilt knob
41	ACCPLA001	Coach bolt M8 x 30mm
42		LCD knob spacer
43	RAPLA015	Front
44	RAPLA001	Front colour holder right
45	RAPLA003	Front colour holder left
46	RAPLA002	Front colour lid
47	RAPLA004	Lid unlock handle
48	RAPLA011	Lid spring
49	RASPR001	Safety bond internal slider
50	RAPLA008	Safety bond cable
51	RASWFR or RASWPC	Safety bond knob
52	RAPLA009	Rear baffle
53	RASHT006	Rear handle
54	PACPLA030	Safety bond pin
55	RAMET001	Screw M5 x 20
56		Nut M5 hex
57		Lens, 150 or 175, Fresnel or PC
58		Lens holder 150 or 175
59	RASHT004 or 007	150 lenses have second lensholder part: 1200SPIN016
60	1200SPR003	Lens clip spring Y-type
61	RAEXT008	Extrusion lens support
62	RAEXT007	Extrusion body top
79	RAMET009	Coach bolt M8 x 30mm