

# Product Specification Sheet

## Rama 150 Fresnel 7°- 50°



**The Rama 150 Fresnel (1.0kW / 1.2kW, 150mm lens) provides an adjustable cone of light that has a soft edge, easily blended with adjacent beams to provide even illumination.**

### Features

Integrated safety bond rated for the fitting; maximum free length = 670mm.

Adjustable yoke balance point.

'Swing-down' door for easy access to lamp or cleaning. Disconnects the mains power supply on opening.

Smooth 'posi-slide' focus system, no metal to metal contact.

Constructed of aluminium extrusion and moulded engineering plastics.

Cooler operation due to use of engineering plastics on front (colour frame mount) and rear of luminaire.

Heat-insulated rear grab-handle which doubles as handy storage for the 1m cable length.

Tilt and focus scale is in real degrees allowing for accurate WSIWYG implementation.

### Lamps: 220V-240V

**T/29 1200W**  
27,600 lumens      400 hours average life

**CP90 1200W**  
30,000 lumens      200 hours average life

**T/11 T/19 1000W**  
21,500 lumens      750 hours average life

**CP70 1000W**  
25,000 lumens      200 hours average life

### Order Codes

**16RAFR150**  
Rama 150 Fresnel - GX9.5 lamp base

**16RAFR150G22**  
Rama 150 Fresnel - G22 lamp base

**20BDRA**  
Rama barndoor

**20BDRA8**  
Rama barndoor – eight leaf

**20SM6**  
Rama lens safety mesh

### Approvals

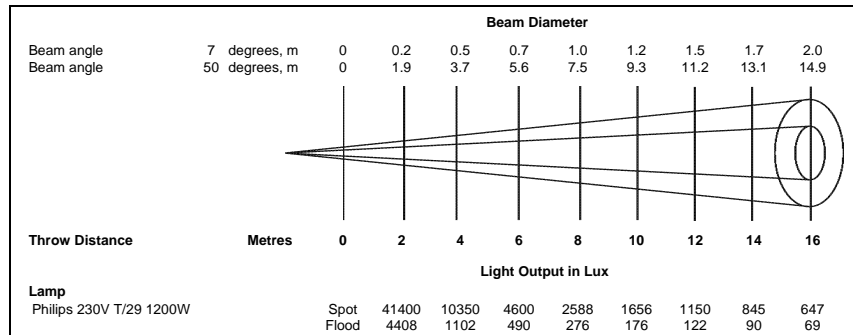
Compliant to CE standards.

## Photometric Data

Tests conducted using a standard T29, 1200W, 230V lamp.

Peak candela at 7° - 165,600

Peak candela at 50° - 17,640



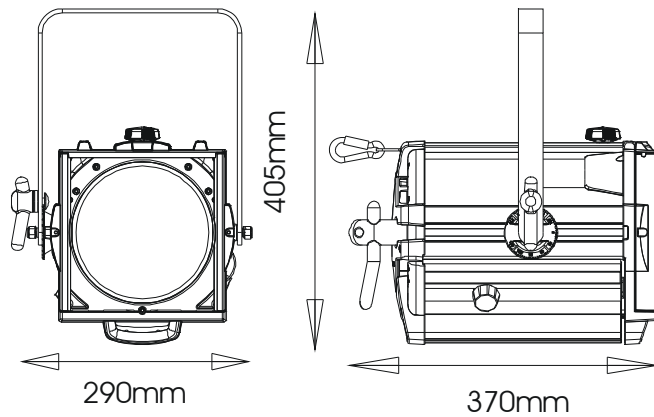
## Physical Data

**Weight:** 5.3kg

**Packed weight:** 6.2kg

**Colour frame size:** 186mm x 190mm

**Included:** 1x colour frame, yoke nut & bolt, lens safety mesh, instruction leaflet.



Philips Selecon reserves the right to change the specifications without notice (January 2014).