

Acclaim 4 Inch 4°-64° PC



The Acclaim PC is a 300W / 575W / 650W general purpose PC (4 1/4" diameter lens) for theatre and display lighting which produces a well-defined beam of light, with a crisper edge than a Fresnel that is easily blended with adjacent beams to provide even illumination.

Features

Up to 50% more light output than comparative PCs.

Light texturing on the rear of lens obscures filament imaging retaining the characteristic PC beam clarity.

Improved filter life through increased airflow.

Cooler focus operation due to the use of engineering plastics on front (color frame mount) and rear.

Adjustable yoke balance point.

'Swing-down' side door for easy access to lamp or for cleaning.

Lamp life is enhanced through judder-free focus action of the captive lamp/reflector assembly which moves on Teflon-coated bearings.

Heat-insulated rear grab-handle which doubles as handy storage for the 3ft cable length.

New barndoor design, cool to focus maintaining settings through unique hinge tension design.

Fast and safe focusing using the large rear grab handle and heat protected focus knob and filter holder.

Permanently attached integrated safety cable ensures that this important safety requirement is always on hand.

Integral micro-switch provides automatic disconnection of power to the fixture when opening to relamp, preventing a student or technician inserting a lamp into an electrically live fixture.

Three year warranty.

Lamps: 120V

300W FKW
7,800 lumens 200hrs average life

575W Ushio
JCS120V-575WC 300hrs average life

575W Ushio
JCS120V-575WX 1500hrs average life

650W FRK
16,900 lumens 200hrs average life

Ordering Information

12ACPCUS	Acclaim PC
20BDMF	Barndoor, 4 way
15ACSM	Lens safety mesh
20CFMF	Spare color frame
SC	Spare US theatrical C-clamp

For connector options please specify the following suffixes when ordering:

-GR NEMA 5-15P Grounded Edison

-GP 20A Stage Pin Plug

-GTL NEMA L5-20P Twist-Lock

Approvals

ETL / cETL listed to UL Standard 1573.

SPECIFICATION SUBMITTAL

CONSULTANT: <input type="text"/>	PROJECT NAME: <input type="text"/>	MODEL NUMBER QUANTITY: <input type="text"/> <input type="text"/> <input type="text"/> <input type="text"/> <input type="text"/> <input type="text"/>
DATE: <input type="text"/>	PROJECT NUMBER: <input type="text"/>	APPROVED BY: <input type="text"/>

Photometric Data

Tests conducted using a standard FRK, 650W, 120V lamp.

		Beam Diameter in feet								
Beam angle in ft	4 °	0.0	0.5	0.9	1.5	2.0	2.4	2.9	3.4	3.9
Beam angle in ft	64 °	0.0	8.7	16.2	26.2	35.0	43.7	52.5	61.2	70.0
Throw Distance in ft		0	7	13	21	28	35	42	49	56
		Light Output in Footcandles								
Lamp										
120V FRK 650W	4°	Peak	945	274	105	59	38	-	-	-
	64°	Flat	110	32	-	-	-	-	-	-

For Lux please multiply Fc by 10.7

Physical Data

Weight: 7lb 12oz

Packed: 8lb 8oz

Carton size: 18 x 8 7/8" x 7"

Cubic: 0.018

Color frame size: 4 7/8" x 4 7/8"

AC supply cable: 36"

Fixture with integrated safety cable supplied with: 1x color frame, 1x C-clamp, instruction sheet.

North America

10911 Petal Street
Dallas, Texas 75238
Tel: +1 214 647 7880
Fax: +1 214 647 8030

267 5th Ave, 4th Floor
New York, NY 10016
Tel: +1 212 213 8219
Fax: +1 212 532 2593

New Zealand

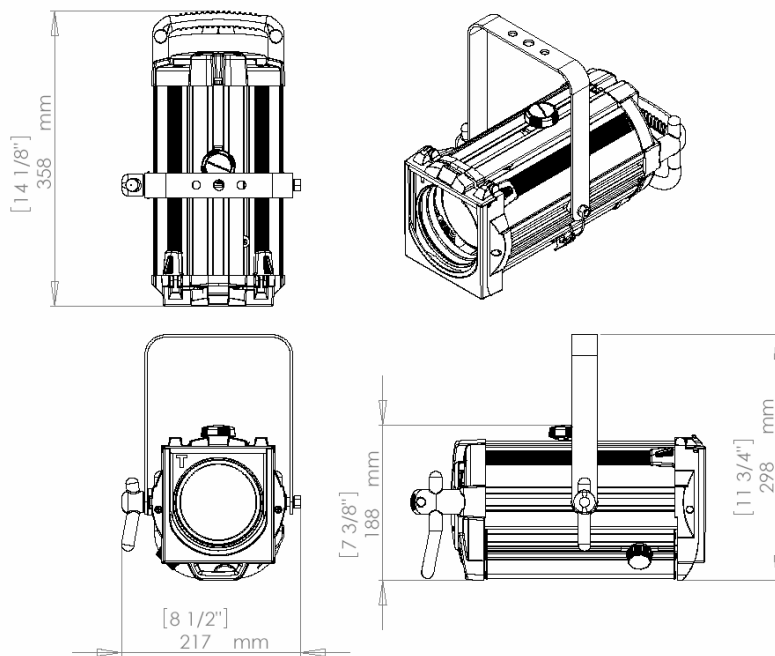
19-21 Kawana Street
Northcote, Auckland 0627
Tel: +64 9 481 0100
Fax: +64 9 481 0101

Hong Kong

Unit C, Block C 14/F.,
Roxy Industrial Centre
No. 41-49 Kwai Cheong Road
Kwai Chung, N.T.
Tel: +852 2796 9786
Fax: +852 2798 6545

European Service & Distribution Centre

Marssteden 152
Enschede 7547 TD
the Netherlands
Tel: +31 53 450 0424
Fax: +31 53 450 0425



© Philips Group 2010

All rights reserved.

The Company reserves the right to make any variation in design or construction to the equipment described.
E&OE

120511NA

PHILIPS
Selecon