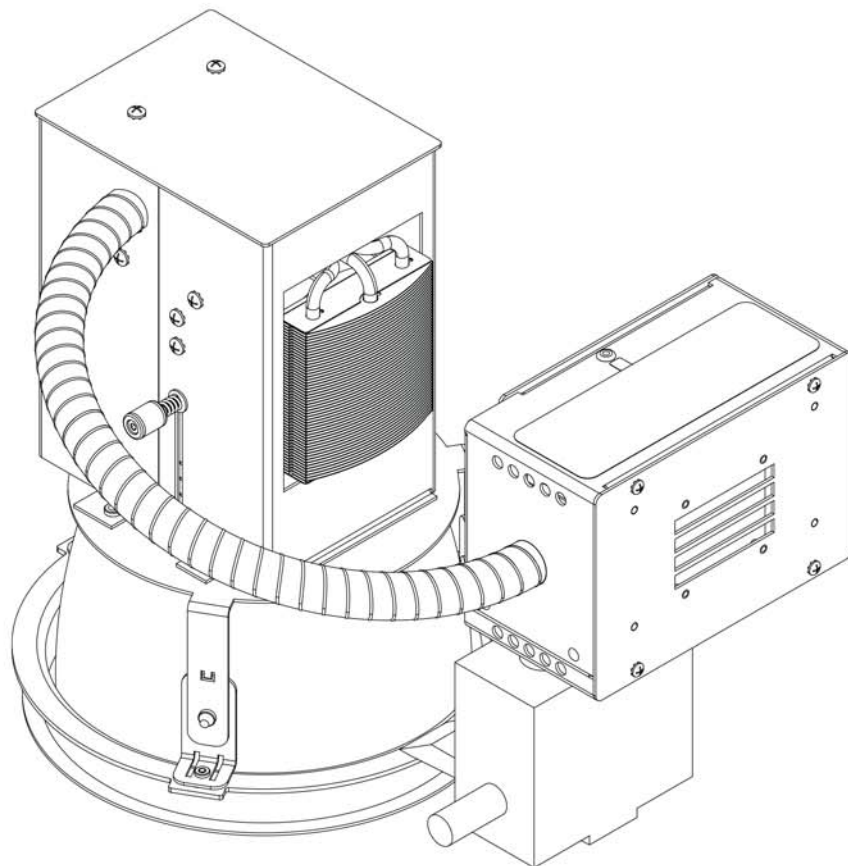


PHILIPS

Selecon

PL House Light MKII LED Luminaire



For PLHLIBMKII

QUICKSTART GUIDE

Philips Selecon Offices

Philips Selecon - Dallas

10911 Petal Street
Dallas, TX 75238
Tel: +1 214-647-7880
Fax: +1 214-647-8030

Philips Selecon - Auckland

19-21 Kawana Street
Northcote, Auckland 0627
New Zealand
Tel: +64 9 481 0100
Fax: +64 9 481 0101

Philips Selecon - Asia Limited

Unit C, 14/F, Roxy Industrial Centre
No. 41-49 Kwai Cheong Road
Kwai Chung, N.T., Hong Kong
Tel: +852 2796 9786
Fax: +852 2798 6545

Philips Selecon - Europe

Rondweg zuid 85
Winterswijk 7102 JD
The Netherlands
Tel: +31 (0) 543-542516

Website:

www.seleconlight.com

The material in this manual is for information purposes only and is subject to change without notice. Philips Selecon assumes no responsibility for any errors or omissions which may appear in this manual. For comments and suggestions regarding corrections and/or updates to this manual, please visit the Philips Selecon web site at www.seleconlight.com or contact your nearest Philips Selecon office.

El contenido de este manual es solamente para información y está sujeto a cambios sin previo aviso. Philips Selecon no asume responsabilidad por errores o omisiones que puedan aparecer. Cualquier comentario, sugerencia o corrección con respecto a este manual, favor de dirijirlo a la oficina de Philips Selecon más cercana.

Der Inhalt dieses Handbuches ist nur für Informationszwecke gedacht, Aenderungen sind vorbehalten. Philips Selecon uebernimmt keine Verantwortung für Fehler oder Irrtuemer, die in diesem Handbuch auftreten. Für Bemerkungen und Verbesserungsvorschlaege oder Vorschlaege in Bezug auf Korrekturen und/oder Aktualisierungen in diesem Handbuch, moechten wir Sie bitten, Kontakt mit der naechsten Philips Selecon-Niederlassung aufzunehmen.

Le matériel décrit dans ce manuel est pour information seulement et est sujet à changements sans préavis. La compagnie Philips Selecon n'assume aucune responsabilité sur toute erreur ou omission inscrite dans ce manuel. Pour tous commentaires ou suggestions concernant des corrections et/ou les mises à jour de ce manuel, veuillez s'il vous plait contacter le bureau de Philips Selecon le plus proche.

Note: Information contained in this document may not be duplicated in full or in part by any person without prior written approval of Philips Selecon. Its sole purpose is to provide the user with conceptual information on the equipment mentioned. The use of this document for all other purposes is specifically prohibited.

Document Number: **02.9688.2002 0**

Version as of: **03 March 2016**

PLHLIBMKII LED Luminaire QuickStart Guide

©2016 Philips Group. All rights reserved.



TABLE OF CONTENTS

Philips Selecon Offices	Inside Front Cover
TABLE OF CONTENTS	
IMPORTANT INFORMATION	
Warnings and Notices	2
FCC Notice.....	3
Additional Resources for DMX512	3
Philips Selecon Limited Three-Year Warranty	3
PREFACE	
About this Guide.....	3
Product Descriptions	3
Additional Mounting Accessories	4
INSTALLATION AND SET UP	
Power Requirements.....	4
Mounting	5
Connecting to the DMX512 Network	8
Accessories - DMX Cable Adapters	8
OPERATION AND PROGRAMMING	
LCD Menu Operation.....	9
LCD Menu System	9
Security.....	10
Locking Fixture	10
Presets.....	10
Editing Preset Names	11
Settings	11
TROUBLESHOOTING	
Troubleshooting Guide.....	13

IMPORTANT INFORMATION

Warnings and Notices

When using electrical equipment, basic safety precautions should always be followed including the following:



- a. **READ AND FOLLOW ALL SAFETY INSTRUCTIONS.**
- b. Do not use outdoors. Only suitable for indoor use.
- c. Do not mount near gas or electric heaters.
- d. Equipment should be mounted in locations and at heights where it will not readily be subjected to tampering by unauthorized personnel.
- e. The use of accessory equipment not recommended by the manufacturer may cause an unsafe condition.
- f. Do not use this equipment for other than intended use.
- g. Refer service to qualified personnel.
- h. This luminaire is specified to operate in an ambient temperature of 40° C. The luminaire's exterior surface temperatures:
 - After 5 minutes of operation: 42° C
 - When steady state is achieved: 47° C

SAVE THESE INSTRUCTIONS.



WARNING: You must have access to a main circuit breaker or other power disconnect device before installing any wiring. Be sure that power is disconnected by removing fuses or turning the main circuit breaker off before installation. Installing the device with power on may expose you to dangerous voltages and damage the device. A qualified electrician must perform this installation.

WARNING: Refer to National Electrical Code® and local codes for cable specifications. Failure to use proper cable can result in damage to equipment or danger to personnel.

WARNING: This equipment is intended for installation in accordance with the National Electric Code® and local regulations. It is also intended for installation in indoor applications only. Before any electrical work is performed, disconnect power at the circuit breaker or remove the fuse to avoid shock or damage to the control. It is recommended that a qualified electrician perform this installation.

WARNING: The PLHLIBMKII LED Luminaire is a NON-IC Rated Lighting Fixture and IS NOT for residential installation or use.

If the space that a light fixture is to be installed does not contain insulation, a NON-IC rated fixture should be used (NON-IC stands for NON Insulated Contact). If insulation is present in an application where a NON-IC rated fixture is used, a minimum 6-inch (153 mm) clearance should exist on all sides of the fixture, and no insulation may be present across the top of the installed fixture. By maintaining these clearance requirements, overheating should not be an issue according to testing conducted on the fixture.

WARNING: Basic insulation has been maintained between low-voltage supply and control conductors.

IMPORTANT!

THIS PRODUCT MUST BE INSTALLED IN ACCORDANCE WITH THE APPLICABLE INSTALLATION CODE BY A PERSON FAMILIAR WITH THE CONSTRUCTION AND OPERATION OF THE PRODUCT AND THE HAZARDS INVOLVED.

CE PRODUIT DOIT ÊTRE INSTALLÉ SELON LE CODE D'INSTALLATION PERTINENT, PAR UNE PERSONNE QUI CONNAÎT BIEN LE PRODUIT ET SON FONCTIONNEMENT AINSI QUE LES RISQUES INHÉRENTS.

FCC Notice

This equipment has been tested and found to comply with the limits for a Class A digital device, pursuant to part 15 of the FCC Rules. These limits are designed to provide reasonable protection against harmful interference when the equipment is operated in a commercial environment. This equipment generates, uses, and can radiate radio frequency energy and, if not installed and used in accordance with the instruction manual, may cause harmful interference to radio communications.

Operation of this equipment in a residential area is likely to cause harmful interference in which case the user will be required to correct the interference at his own expense.

Additional Resources for DMX512

For more information on installing DMX512 control systems, the following publication is available for purchase from the United States Institute for Theatre Technology (USITT), "Recommended Practice for DMX512: A Guide for Users and Installers, 2nd edition" (ISBN: 9780955703522). USITT Contact Information:

USITT
315 South Crouse Avenue, Suite 200
Syracuse, NY 13210-1844
Phone: 1.800.938.7488 or 1.315.463.6463
www.usitt.org

Philips Selecon Limited Three-Year Warranty

Philips Selecon offers a three-year limited warranty of its luminaires against defects in materials or workmanship from the date of delivery. A copy of Philips Selecon three-year limited warranty containing specific terms and conditions can be obtained from the Philips Selecon or Philips Strand Lighting web sites at www.seleconlight.com or www.strandlighting.com or by contacting your local Philips Selecon / Philips Strand Lighting office.



WARNING! Risk of electric shock! The light source contained in this luminaire shall only be replaced by the manufacturer, a qualified technician, or an Authorized Service Center.

PREFACE

1. About this Guide

This Quickstart Guide is intended for a knowledgeable user to unpack, install, and use the PLHLIBMKII LED Luminaire in a short time period. For the complete manual in PDF format, please visit our web site at: www.seleconlight.com or www.strandlighting.com and click the user manual download link on the product page. The complete manual provides you all information related to accessories, menu structures, DMX channel mapping/modes, and care for your new luminaire.

Please read all instructions before installing or using this product. *Retain this guide for future reference.* Additional product information and descriptions may be downloaded at www.seleconlight.com or www.strandlighting.com.

2. Product Descriptions

The document provides installation and operation instructions for the following products:

- PLHLIBMKII LED Luminaire (catalog number: PLHLIBMKII)

Note: All PLHLIBMKII LED Luminaires are universal voltage (100VAC to 240VAC, Auto-ranging).

3. Additional Mounting Accessories

Additional mounting accessories (other than the components included with the fixture as described in **Figure 1 on page 6**) are sold separately and by others. Below is a list of compatible mounting components for other types of mounting options.

Note: Catalog numbers and descriptions are for reference only. The catalog numbers and descriptions are current as of time of creation of this manual. Check with authorized suppliers for additional product information and descriptions.

- 18-inch Mounting Bars, Philips Lightolier Catalog Number 1950 (set of 2)
- 27-inch Mounting Bars, Philips Lightolier Catalog Number 1951 (set of 2)
- Telescoping Wood Joist Mounting Bars, Philips Lightolier Catalog Number 7994 (set of 2)
- T-Bar Anchor Clips, Philips Lightolier Catalog Number 1956 (set of 4, for use with 1950 & 1951 bars)
- 3/4-inch Channel
- 1-1/2-inch Channel



WARNING! Supporting mechanism and structure must be capable of supporting the weight of the PLHLIBMKII LED Luminaire. DO NOT mount the PLHLIBMKII LED Luminaire into suspended ceiling tiles unless properly supported. Check applicable codes in your area for specific requirements.

INSTALLATION AND SET UP

1. Power Requirements



WARNING! The PLHLIBMKII LED Luminaire should be connected to a constant circuit or a relay device. It should never be connected to a dimmer or circuit controlled by a dimmer.

The PLHLIBMKII LED Luminaire operates on single phase 100 to 240 volts AC (+/- 10%, auto-ranging). The luminaire contains an auto-ranging power supply. Depending on supply voltage, each luminaire can draw up to 140 Watts.



AC Input Only!



WARNING! Maximum Allowable Input Current of 20 Amps (maximum power supply limit of 140 Watts). **Do not overload circuits! Must be supplied by a branch circuit protected by a maximum 20 Amp circuit protector. Doit être alimenté par un circuit de dérivation protégé par un maximum de 20 ampères circuit protecteur. Do not overload circuits!**



IMPORTANT AC POWER CONNECTION NOTES:

- Must be supplied by a branch circuit protected by a maximum 20 Amp circuit protector. Doit être alimenté par un circuit de dérivation protégé par un maximum de 20 ampères circuit protecteur.**
- Use only approved cable types.
- Do not overload circuits!
- Do not connect PLHLIBMKII LED Luminaires to dimmed circuits.

PHILIPS Selecon For support call +1.214.647.7880 or visit www.seleconlight.com		 	Model: PLHLIBMKII Input Voltage: 100-240 VAC, 50/60Hz Wattage: 140 Watts (max.) Serial Number / Date Code: Label: 04.5688.2005
<p>WARNING!</p> <ul style="list-style-type: none"> ▲ CONFORMS TO UL STD 1598 & UL STD 8750; CERTIFIED TO CSA STD C22.2 NO. 250.0 & CSA STD C22.2 NO. 250.13 ▲ MIN 90°C SUPPLY CONDUCTORS. LES FILS D'ALIMENTATION 90°C MIN. ▲ DRY LOCATIONS ONLY. POUR EMPLACEMENTS SECS SEULEMENT. ▲ SUITABLE FOR OPERATION IN AMBIENT NOT EXCEEDING 40°C ▲ PEUT ÊTRE UTILISÉ À UNE TEMPÉRATURE AMBIANTE N'EXCÉDANT PAS 40°C (S24-L2) ▲ DO NOT INSTALL INSULATION WITHIN 153 mm (6 in) OF ANY PART OF THE LUMINAIRE. NE PAS METTRE L'ISOLANT À MOINS DE 153 mm (6 po) DE TOUTE PARTIE DU LUMINAIRE. ▲ NOT FOR RESIDENTIAL INSTALLATION OR USE. PAS POUR L'INSTALLATION HABITATION OU A USAGE. 			

2. Mounting



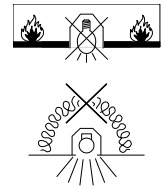
Note: The PLHLIBMKII LED Luminaire is intended for installation in accordance with the National Electric Code and local regulations. To assure full compliance with local codes and regulations, check with your local electrical inspector before installation. The PLHLIBMKII LED Luminaire is not intended for residential use or installation.



WARNING! To prevent injury or death, you must have access to a main circuit breaker or other power disconnect device before installing any wiring. Be sure that power is disconnected by removing fuses or turning the main circuit breaker off before installation. Installing the device with power on may expose you to dangerous voltages and damage the device. A qualified electrician must perform this installation.



WARNING! The PLHLIBMKII LED Luminaire is not suitable for mounting to combustible surfaces. This luminaire is a NON-IC Rated Lighting Fixture. If the space that a light fixture is to be installed does not contain insulation, a NON-IC rated fixture should be used (NON-IC stands for NON Insulated Contact). If insulation is present in an application where a NON-IC rated fixture is used, a minimum 3-inch (76 mm) clearance should exist on all sides of the fixture, and no insulation may be present across the top of the installed fixture. By maintaining these clearance requirements, overheating should not be an issue according to testing conducted on the fixture.



INSTALL WITH MINIMUM SPACINGS BETWEEN:

- (a) CENTER-TO-CENTER OF ADJACENT LUMINAIRES:
153 mm (6 in);
- (b) TOP OF LUMINAIRE TO OVERHEAD BUILDING MEMBER:
153 mm (6 in);
- (c) LUMINAIRE CENTER TO SIDE BUILDING MEMBER:
153 mm (6 in).

ASSURER LES DÉGAGEMENTS MINIMAUX SUIVANTS:

- (a) ENTRE L'ENTRAXE DES LUMINAIRES ADJACENTS:
153 mm (6 po);
- (b) ENTRE LE DESSUS DU LUMINAIRE ET L'ÉLÉMENT DE CHARPENTE SE TROUVANT AU-DESSUS:
153 mm (6 po);
- (c) ENTRE LE CENTRE DU LUMINAIRE ET UN ÉLÉMENT DE CHARPENTE LATÉRAL: 153 mm (6 po) (S24-L2).

04.9668.2006 0

To mount PLHLIBMKII LED Luminaire:

Step 1. Cut 7-7/8 inch hole in ceiling as desired.



CAUTION: PLHLIBMKII LED Luminaires must be installed with mounting bars (by others). Mounting bars must always be secured to structural ceiling members. Refer to "[Additional Mounting Accessories](#)" on page 4 for more information. Check applicable codes in your area for specific requirements.

Step 2. If not already installed, attach Control / Menu Assembly to J-Box.

Step 3. Mount luminaire assembly into ceiling.

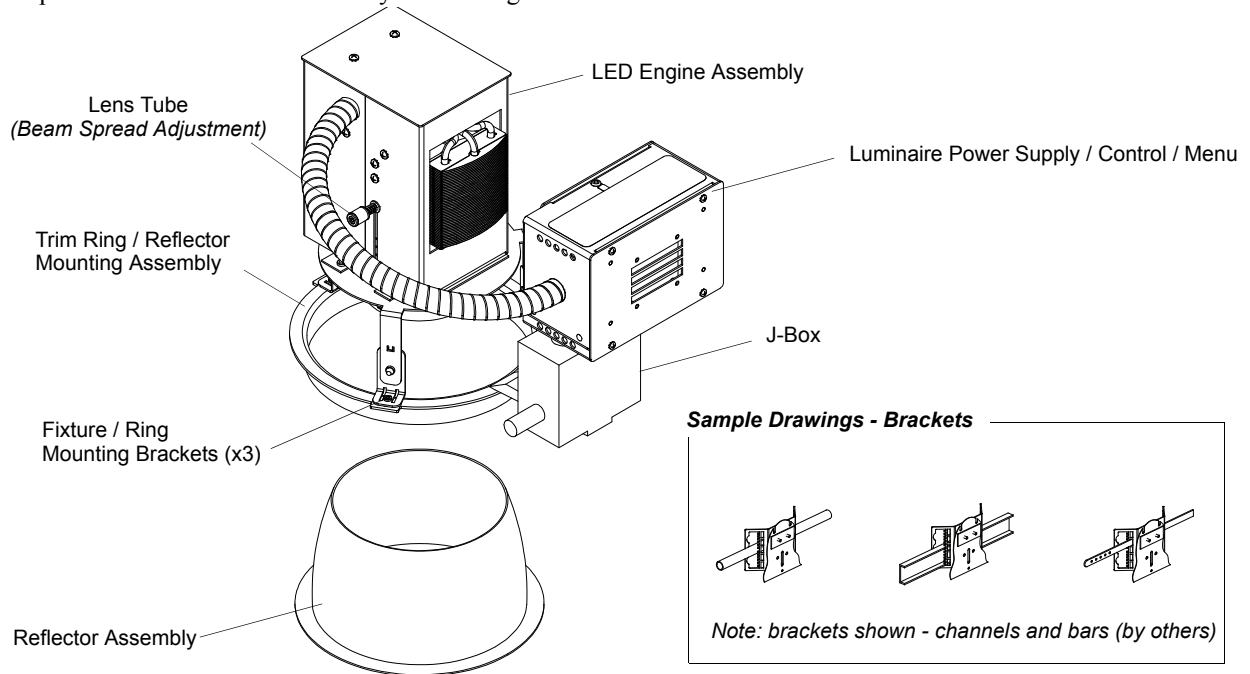


Figure 1: PLHLIBMKII LED Luminaire Components

Step 4. Make electrical connections from power source at J-Box according to your market as follows:

a. For 120VAC Markets ONLY:

- 1) Remove cover from Junction (J) Box.
- 2) At J-Box, connect AC input wiring as illustrated in **Figure 2**. Refer to "[Power Requirements](#)" on [page 4](#) for power requirements.

Connecting to 120VAC Power (North American Markets)

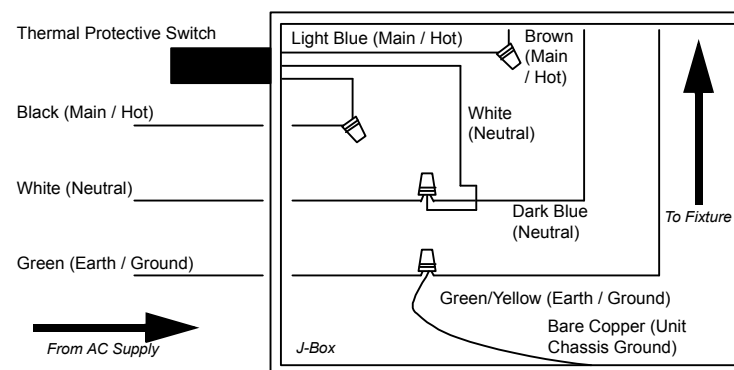


Figure 2: J-Box Electrical Connections - 120VAC Markets

b. Connecting Power for Markets Other Than 120VAC Markets:

- 1) Remove cover from Junction (J) Box.
- 2) At J-Box, remove the Thermal Protective Switch as shown in **Figure 3** and discard. It will not be used.
- 3) Install supplied metal plug into Thermal Protective Switch hole.

- 4) Connect AC input wiring as illustrated in **Figure 3**. Refer to **"Power Requirements"** on page 4 for power requirements.

Connecting to Power Other Than 120VAC

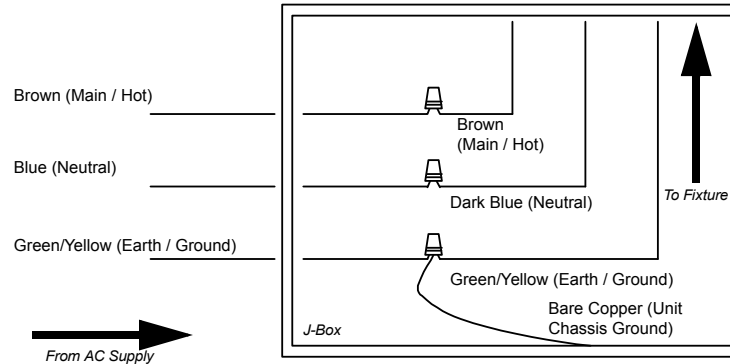


Figure 3: J-Box Electrical Connections - Other Than 120VAC Markets

- Step 5. Make any DMX512 control wiring connections as desired. Refer to **"Connecting to the DMX512 Network"** on page 8 for more information.

Note: When using luminaire on a DMX512 network, the unit must be addressed via the on-board menu system. Refer to **"LCD Menu System"** on page 9 for DMX addressing. The menu system may be accessed anytime the trim ring / reflector assembly is removed.

- Step 5. As shown in **Figure 4**, adjust luminaire beam spread as desired by loosening the lens tube / zoom adjustment knob and moving lens tube in or out. Once adjustment is complete, re-tighten lens tube / zoom adjustment knob. Note, beam spread can be adjusted at anytime throughout the installation process and after-installation as desired.

Table 1: Beam Spread Chart

Lens Tube Marking	Beam Spread (in Degrees)
5	45
6	40
7	35
8	33
9	26
10	20

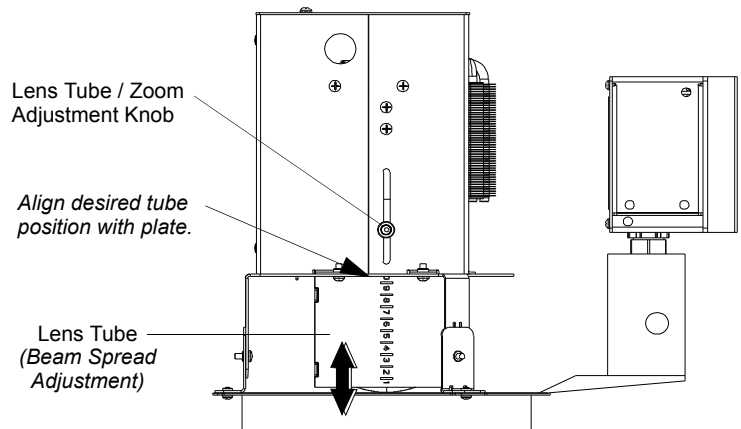


Figure 4: Lens Tube (Beam Spread Adjustment) Setting



CAUTION: If installation is performed prior to the ceiling being painted DO NOT install the trim ring / reflector assembly and insert the included paint splatter shield to ensure that the lens and the interior of the unit is protected from over spray and debris.

- Step 6. To finish installation, fit trim ring/reflecter assembly up and through hole where luminaire assembly is installed. Firmly press trim ring/reflecter assembly into place. Note, retaining clips on sides of trim mounting ring assembly will "capture" the trim ring / reflector assembly.

3. Connecting to the DMX512 Network

Basic DMX512 installation consists of connecting multiple PLHLIBMKII LED Luminaires together (up to 30 luminaires) in "daisy-chain" fashion. A cable runs from the control console (or DMX512 control source) to the DMX connector on the first PLHLIBMKII LED Luminaire. Another cable runs from the other DMX connector on the first unit to a DMX connector on the next PLHLIBMKII LED Luminaire (or DMX512 device to be controlled).

Note: For more information on DMX512 networking and systems, refer to "[Additional Resources for DMX512](#)" on page 3. For PLHLIBMKII LED Luminaire DMX Mapping, refer to the product's user manual. This manual is available in PDF format on the Philips Strand Lighting and Philips Selecon web sites.

Refer to **Figure 5 on page 8** for more information.

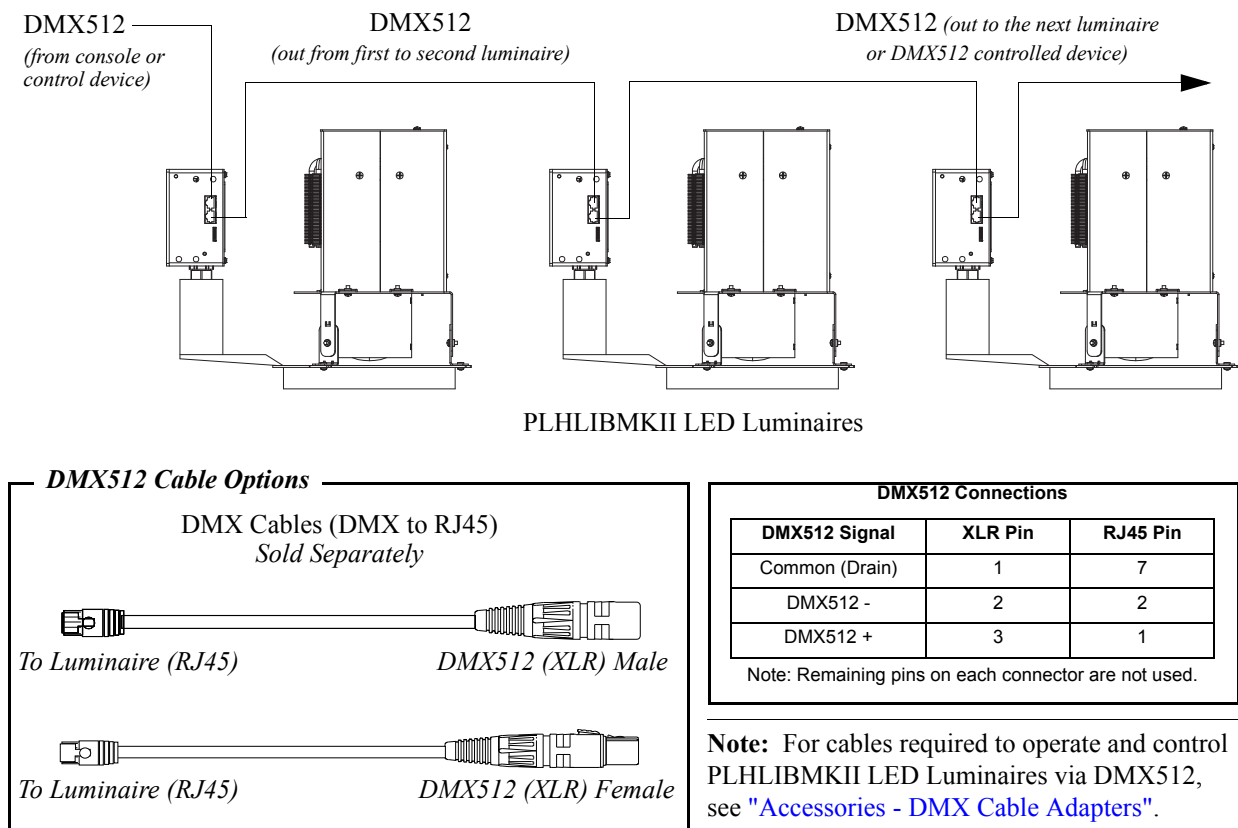


Figure 5: PLHLMKII LED Luminaires - DMX512 Connections

Accessories - DMX Cable Adapters

Part Number	Description
PL1DMXFRJ45	PLHLIBMKII LED Luminaire DMX512 cable XLR5 Female to RJ45 12 in. / 305 mm White
PL1DMXFRJ46	PLHLIBMKII LED Luminaire DMX512 cable XLR5 Female to RJ45 12 in. / 305 mm Black
PL1DMXMRJ47	PLHLIBMKII LED Luminaire DMX512 cable XLR5 Male to RJ45 12 in. / 305 mm White
PL1DMXMRJ48	PLHLIBMKII LED Luminaire DMX512 cable XLR5 Male to RJ45 12 in. / 305 mm Black

Note: These and other accessories are available from your Authorized Philips Selecon dealer. For a complete list of Authorized Dealers, please refer to the Philips Selecon or Philips Strand Lighting web sites at www.seleconlight.com or www.strandlighting.com.

OPERATION AND PROGRAMMING

1. LCD Menu Operation

The PLHLIBMKII LED Luminaire's LCD Display and Menu System provides local control for accessing all the fixture's status information, menu options, and settings.

Note: If there are multiple luminaires in a system, changes would need to be made at each LCD Menu as desired.

Upon power up, the LCD will display the main screen showing the product type/name.

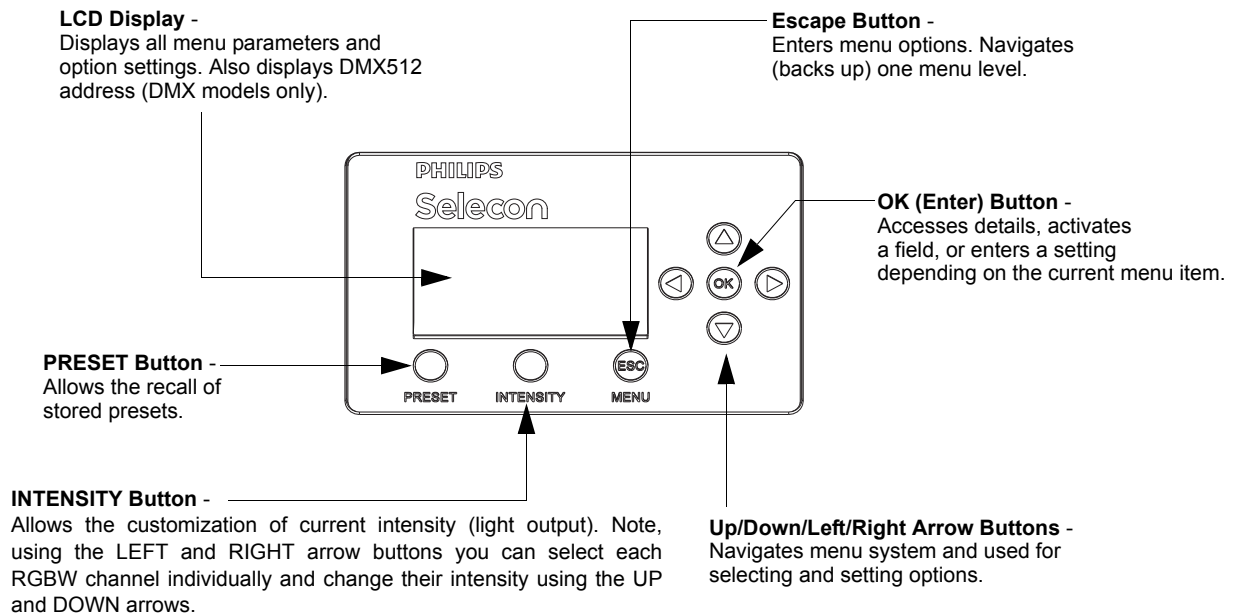


Figure 6: LCD Display and Menu System

2. LCD Menu System

The LCD Display Menu system consists of several categories. Use the four arrow buttons as required (refer to **Figure 6 on page 9**) to access and make changes to the menu items. When the desired menu item is reached, press [OK] to display the menu options. Use navigation and [OK] buttons to view status and configure the LCD Menu as required.

To navigate and access menu settings/selections:

Step 1. At Main Menu, press [ESC] / [MENU] button once. Another window will appear with sub-menu categories:

- Save a Preset
- Edit a Preset
- Color Mixer
- Settings
- Lock Fixture
- Fixture Status
- Normalize Colors

Step 2. Press [OK] at desired menu item to access and make changes.

Step 3. Make changes as desired.

Note: When DMX512 signal is present, **Edit Preset** and **Color Mixer** options will not appear in menu structure.

To navigate fixture status menus:

- Step 1. At default screen, press LEFT or RIGHT arrow button once. The default menu screen will change to allow for quick reference to the following items (note, depending on which arrow button is pressed, status screens may appear in reverse order):
- DMX Address (note, if fixture is UNLOCKED, hit [OK] to change DMX address).
 - Fixture Hours (displays fixture operating hours since last reset).
 - Fixture Power (displays Max Power Limit setting (in Watts), Present Power consumed by fixture (in Watts), and Hours of Use).
 - Fixture Status (displays current operational temperature, LED status, and fan speed setting).
- Step 2. Press LEFT or RIGHT arrow buttons to scroll through status screens.
- Step 3. Press [ESC] at anytime to access Main Menu.

Note: When DMX512 signal is present, **Edit Preset** and **Color Mix** options will not appear in menu structure.

3. Security

Unwanted changes to the Fixture's Configuration or Setting can be controlled by locking the fixture's menu.

PLHLIBMKII LED Luminaires are shipped with a default numeric PIN code of "0000" (four zeros). Users may set their own PIN code (four-digit number) via **Settings > General > Set PIN**. When setting a PIN code, write it down and keep it in a secure location. Note, Philips Selecon does not have records of PIN codes established by users or owners.

Note: Contact Philips Selecon technical support if a unit is locked and the PIN code is lost for instructions on how to reset luminaire.

Note: If the Fixture is locked when it is powered down the fixture will remain in the locked state when powered up.

Locking Fixture

To lock the fixture:

- Step 1. At Main Menu, press [MENU] and scroll to **Lock Fixture**. Note, default PIN is "0000" (four zeros).
- Step 2. Press [OK].
- Step 3. Enter four-digit, user-selectable, PIN code. Press [OK].
- Step 4. Use [LEFT ARROW] or [RIGHT ARROW] keys to highlight "YES", press [OK] or [ESC] twice to cancel action.
- Step 5. Fixture is now locked if locking process was not canceled as described in previous step.

Note: When the Fixture is Locked only the [ESC]/[MENU] key is functional. Pressing this key will display a request a PIN code to be entered. When a valid PIN code is entered the fixture is unlocked.

4. Presets

Presets are Color Mixes that are stored in the Fixture, they can be recalled to reproduce a specific output from the fixture. Presets are made up of a Color Mix; Red, Green, Blue, and White. They also have Intensity associated with them.

Presets can be recalled via the User interface or by a DMX channel, when under DMX control. The Preset's Intensity is applied if the User Interface is used; if DMX, the DMX Intensity channel is used for Intensity.

If the fixture is locked, Presets cannot be changed at the menu.

- Locked Presets are factory Calibrated, and their Color Mix cannot be changed by the user. Their Intensity can be changed. Three Presets (2-4), "Warm White", "Cool White", and "Day Light", are Locked.
- Preset 0, the "off" preset is also Locked to the OFF value.
- If the fixture is unlocked, User Presets can have their Color Mix and Intensity changed without restriction.

Note: If the Color Mix of a Factory Calibrated Preset is changed, by turning protection Off, an '*' is appended to the end of the Preset's Name to indicate that the Calibrated values have been changed.

Note: DMX will take priority over any menu selected preset.

Editing Preset Names

On the Edit Preset screen, the option is available to edit the name of a preset, via Screen button. However, the names of Presets 0, 2, 3, and 4 cannot be edited. Scratch Pad, preset 1, can be changed but retains its original functionality.

Use the [LEFT ARROW] and [RIGHT ARROW] keys to select the character to be changed and use the [UP ARROW] and [DOWN ARROW] keys to change that character. The Character Scroll order is A-Z, space, 0-9. If you are scrolling up the Alpha character displays as Upper Case; if you are scrolling down the Alpha character displays as Lower Case. Stop on the character you want, ignoring case, then press the opposite [UP ARROW] or [DOWN ARROW] key if you want to change the case. [OK] to save changes, [ESC] to cancel changes.

5. Settings

Table 2, "Settings Menu User-Settable Parameters," on page 12 shows the user-settable parameters available in the Settings menu section.

To edit a value on the Setting Screen, use the [UP ARROW] or [DOWN ARROW] keys to move the highlight to the settings value you wish to change. Press [OK] to begin editing that value. Use the [UP ARROW], [DOWN ARROW], [LEFT ARROW] or [RIGHT ARROW] keys to make changes to the value. Press [OK] when complete to save changes, or [ESC] to cancel changes to that value.

When done making changes on the Settings Screen press [ESC] to re-boot fixture and implement changes. Fixture will not re-boot if nothing was changed.

Table 2: Settings Menu User-Settable Parameters

<i>Parameter</i>	<i>Values</i>	<i>Default</i>	<i>Description</i>
General			
Power, Fan	Normal Mode, Studio Mode, or Quiet Mode	Quiet Mode	Sets the luminaire's output mode - Normal Mode, Studio Mode, or Quiet Mode.
Power-Up	All presets	Warm White	Users can set what the default preset is when the unit is powered up. Factory default is Cool White.
Red Correct	No / Yes	No	Turns on or off red correction.
Power Save	Enable / Disable	Enable	Power Save sets fixture in a low-power sleep mode.
Reset Hours	No, Yes	No	Resets luminaire's operational hours.
Set PIN	####	0 0 0 0 (four zeros)	A four-digit user-settable PIN code to lock the fixture.
Presets			
Protected	No, 5 - 25	5 - 25	Determines if the factory Presets' Color Mix is protected from changes.
Load Factory	No, Yes	No	Reload Factory Presets, Intensity changes will also be reloaded.
DMX			
Address	001 to 512	001	DMX512 address. Note, it can be set if displayed.
Map	8-bit, 16-bit, or 5-Chan	16-bit	Defines size/precision of DMX map. Color Mixing/Intensity in 16-bit provides higher resolution for precision control. 5-Chan provides minimal channel usage.
When no DMX	Off, Hold, Hold 8Hr (8 hours), or No Output	Hold	If DMX is detected and then goes away, this defines what will happen to the output. At end of 8Hr hold Fixture goes to No Output setting.
Display			
Flip Display	No, Yes	No	Flips (inverts) Display and Keypad Arrows.
Adj Contrast	0 - 100%	50%	Use left or right arrow keys to adjust display contrast as desired.
Fixture			
Fixture ID	Shows Fixture Type - PLProfile4, Profile, Cyc, or Fresnel		Shows luminaire type.

Note: To Exit the Settings screen, use the [ESC] key. [ESC] and [OK] can be used to cancel or save changes to an individual parameter. However, once a parameter has been accepted, by pressing [OK] that change cannot be undone/ canceled by pressing the [ESC] key.

TROUBLESHOOTING

1. Troubleshooting Guide

The chart below provides possible causes and remedies for various error messages and/or symptoms.



WARNING! Any service and maintenance (including troubleshooting), other than described herein should be performed by an Authorized Philips Selecon Dealer or Service Center.

Description	Symptom	Possible Cause/Remedy
No light output.	Fixture will not produce or output light	Unit is set to Preset Off... Make sure unit is set to proper Preset. DMX command to 0 intensity... Adjust intensity to higher level.
No power at luminaire.	Luminaire does not power up	Circuit not energized... verify circuit breaker is turned on. Not plugged in... ensure A/C cable is connected to power source. Power cable wired incorrectly... verify power cable and connector are wired correctly. See " Power Requirements " on page 4 for more information.
DMX Data Control.	Fixture will not respond to DMX commands.	Not detecting DMX data... Disconnect and reconnect DMX input cable. Check all DMX connections (at control source and luminaire). DMX data cable not wired correctly or has a broken conductor... check DMX data cable for proper wiring. See " Connecting to the DMX512 Network " on page 8 for more information.
LED (light) is getting dimmer.	Fixture appears not to be operating at full brightness.	Luminaire has detected an over temperature condition... The luminaire will reduce power to its LEDs if it senses that the LEDs are operating over the specified temperature. LED temperature is read and recorded through a thermistor embedded in the LED chip. Fan is not operating. Listen for fan operation or adjust settings to increase fan speed. On luminaires with a display check system status menu for status of fans and LED operation.
Local programming.	Unit will not allow local programming or changes.	Password protection is on (locked)... Input proper password to allow local programming and/or adjustments. Unit is controlled by DMX... Disconnect input cables to check issue.

PHILIPS

Selecon

Philips Selecon
Dallas
10911 Petal Street
Dallas, TX 75238
Tel: +1 214-647-7880
Fax: +1 214-647-8031

Philips Selecon
Hong Kong
Unit C, 14/F, Roxy Industrial Centre
No. 41-49 Kwai Cheong Road
Kwai Chung, N.T., Hong Kong
Tel: +852 2796 9786
Fax: +852 2798 6545

Philips Selecon
Auckland
19-21 Kawana Street
Northcote, Auckland 0627
New Zealand
Tel: +64 9 481 0100
Fax: +64 9 481 0101

Philips Selecon
Europe
Rondweg zuid 85
Winterswijk 7102 JD
The Netherlands
Tel: +31(0) 543-542516

www.seleconlight.com