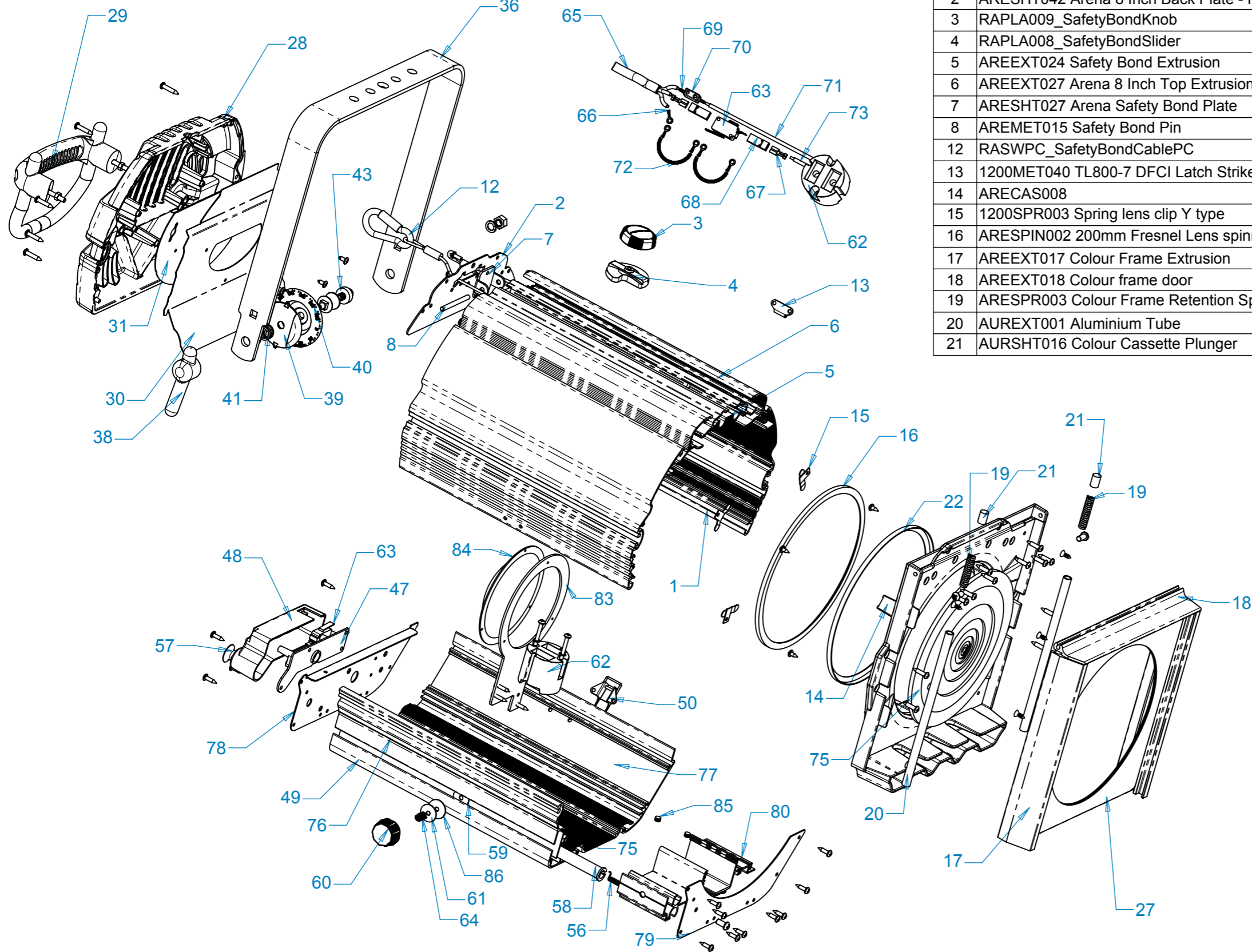


Loom Assembly: AREFRG22LS



ITEM NO.	PART NUMBER	ITEM NO.	PART NUMBER
1	AREEXT022 Arena Body Side Extrusion	22	MSRSPIN006 Lens Retaining Ring
2	ARESH042 Arena 8 Inch Back Plate - Rev2	27	20CFSF2020 Arena Colour Frame 8 inch
3	RAPLA009_SafetyBondKnob	28	AREPLA001 Arena Back Molding - Rev4
4	RAPLA008_SafetyBondSlider	29	PACPLA030 Lamphouse Handle Rear
5	AREEXT024 Safety Bond Extrusion	30	ARESH040 Arena Rear Baffle Big
6	AREEXT027 Arena 8 Inch Top Extrusion	31	ARESH041 Arena Rear Baffle Small
7	ARESH027 Arena Safety Bond Plate	36	AREYOK005 Arena Yoke
8	AREMET015 Safety Bond Pin	38	ACCPA001 Side Handle
12	RASWPC_SafetyBondCablePC	39	RACAS003_TiltCone-Yoke
13	1200MET040 TL800-7 DFCI Latch Strike	40	RACAS004_LockingConeBody
14	ARECAS008	41	RASPR003SLDPRT
15	1200SPR003 Spring lens clip Y type	43	COMPLA009 Yoke Spacer
16	ARESPIN002 200mm Fresnel Lens spinning	47	ARECAS006 Microswitch_Plate
17	AREEXT017 Colour Frame Extrusion	48	ARECAS006 Electric Top Cover
18	AREEXT018 Colour frame door	49	AREEXT015 Arena Door Extrusion
19	ARESPR003 Colour Frame Retention Spring	50	1200MET041 TL803B DFCI Latch
20	AUREXT001 Aluminium Tube	56	1200SPR004 Lampray Shoch Absorber
21	AURSHT016 Colour Cassette Plunger	57	COMPLA004 Trumpet Plastic Insulator
		58	AREMET002 lamptray bearing SF25
		59	1200PLA009 Teflon Washer
		60	COMPLA001 Knob Focus High Temp
		61	Focus Knob Washer Red Fibre
		62	AREELE001 lampbase G22
		63	COMELE001 Micro-switch
		64	1200SPR006 Focus Knob Spring
		65	COMELE011 3 Core Cable 2.5mm
		66	COMELE049 Crimp Lug
		67	COMELE051 Terminal Nickel
		68	COMELE104 Terminal Insulation Cover
		69	COMELE088 Shoe Lace Terminal
		70	COMELE007 Single Ceramic Connector Block
		71	Lamp Cable 2.5mm core
		72	COMELE016 Braided Earth Strap
		73	Lamp Cable 2.5mm core
		75	ARELEN002 Arena Lens 200mm
		75	AREEXT016 Arena Door Baffle Extrusion
		76	AREEXT013 Arena Hinge Side Door Extrusion
		77	AREEXT012 Arena Clip Side Door Extrusion
		78	AREMET007 Door Rear Plate - Rev1
		79	AREMET008 Door Front Plate
		80	AREEXT014 Lampray Extrusion
		83	ARESH023 Reflector Mount Upstand
		84	AREREF001 Arena Reflector SF25 and PC25
		85	1200MET001 teflon bearing runner yoyo
		86	1200PLA009 Focus Knob Washer Fender

REV	DATE	BY	MODIFICATIONS

Selecon

www.seleconlight.com
19-21 Kawana St, Northcote,
Auckland 0627, New Zealand

APPLICABLE STANDARD:
DRAWN TO NZS/AS 1100

TOLERANCE EXCEPT WHERE
OTHERWISE STATED:
X ± 0.5
X.X ± 0.1
X.XX ± 0.05
ANGLES ± 0.5°

DIMENSIONS IN mm
DO NOT SCALE

MATERIAL:

FINISH:

VOLUME:

MASS:

TITLE:
Arena Fresnel G22 MK2

SIZE: **A3** PART NO: **10SF2025G22**

SCALE: NTS FILE: Arena Fresnel G22 MK2.sldrw

Modeled: Drawn: 1/01/2008

By: Approved:

DRAWN IN THIRD ANGLE PROJECTION

© COPYRIGHT 2008
This drawing remains the property of SELECON