

SP

XX



**Philips  
Selecon  
introduces  
SPX  
Ellipsoidals  
for the  
21st Century**

**PHILIPS  
Selecon**



# Meet SPX

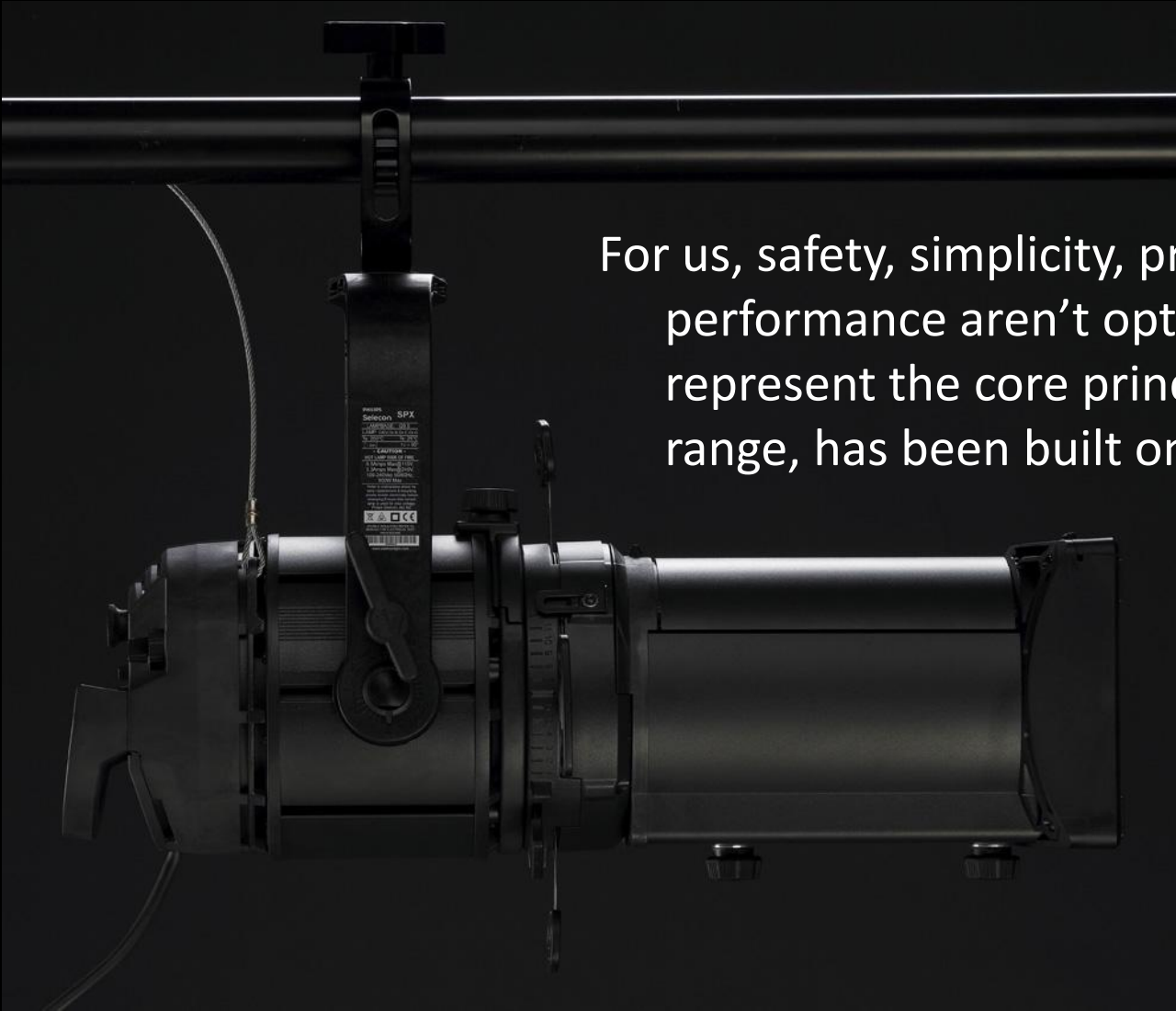
The first product offering from the Philips Entertainment product development teams.

SPX compliments the existing Pacific and Acclaim ellipsoidal ranges, at the same time offering improved performance, efficiency and safety.

**PHILIPS**  
**Selecon**

# Product Overview

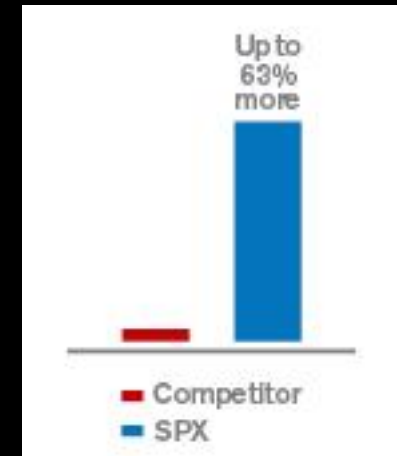
For us, safety, simplicity, precision and performance aren't optional. They represent the core principles that our SPX range, has been built on.



# Performance

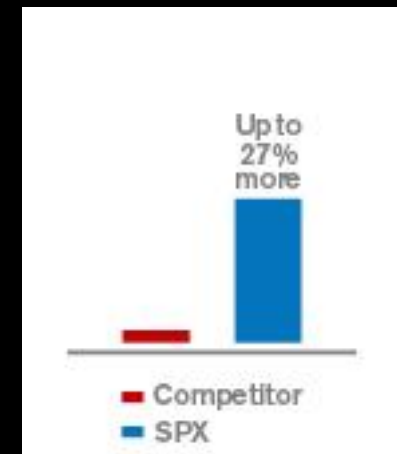
## More Light

With up to 63% more light than the current industry benchmark product SPX is the first luminaire to fully exploit and successfully deal with the high heat associated with the latest generation compact filament 750W / 800W lamps.



## Improved Efficiency

SPX delivers more light on to your stage for less energy consumption due to the greater system efficiency, up to 27% more efficient than the current industry benchmark.



# Performance Comparison

## 230V 750W / 800W

Lamp: GKV 800W  
(19117Lm)

System	SPX : Lumens	SPX : Efficiency %	Competitor : Lumens	Competitor : Efficiency %
14	7957	41.6	9637.5	48.8
19	12433	65	7826	39.63
26	10871	56.9	10267.5	51.99
36	12208	63.9	12130.4	61.42
50	12110	63.3	10485	53.09

## 115V 750W

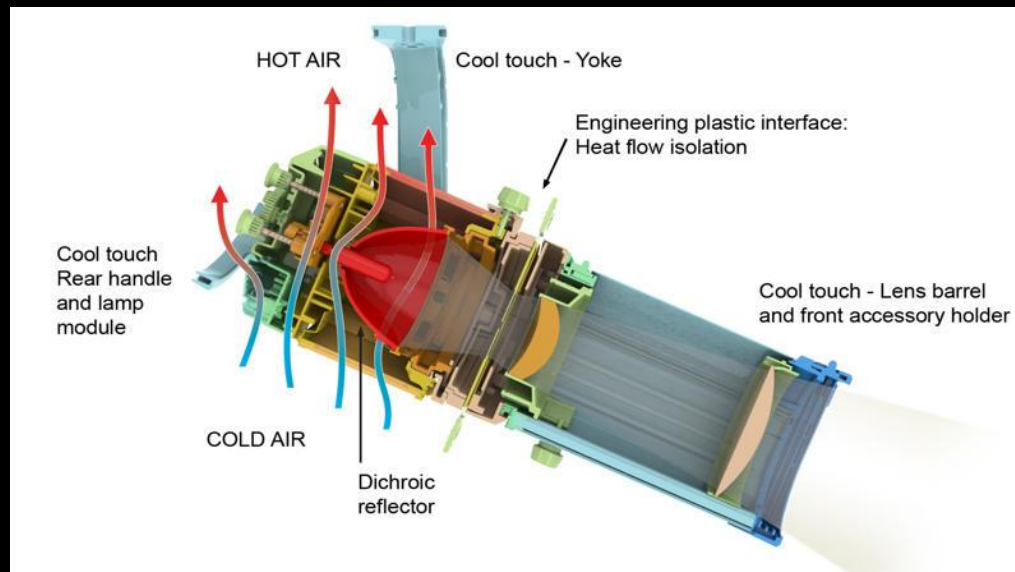
Lamp: 750W  
(20508Lm)

System	SPX : Lumens	SPX : Efficiency %	Competitor : Lumens	Competitor : Efficiency %
14	10178	49.6	12850	58.68
19	13674	66.7	11180	51.1
26	13320	65	13690	62.5
36	14715	71.8	14271	65.16
50	14703	71.7	13980	63.8

# Performance

## Low Cost of Ownership

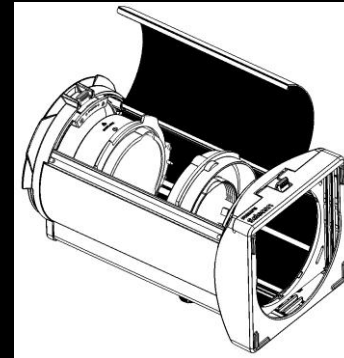
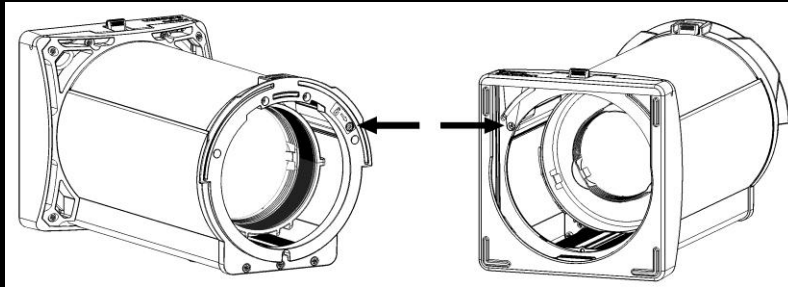
SPX is an affordable tool for lighting the stages of the world. The compartmentalised lamp house effectively exhausts hot air away from the most heat sensitive components of the system. The result is maximum lamp and lamp socket life and reduced maintenance down time and costs. Less down time = less maintenance work and more earning power for production / rental companies.



# Performance

## Low Cost of Ownership

When it does come time to maintain SPX it's a fast and simple operation, whether cleaning lenses or the reflector, or replacing the lamp socket and cable.



Low Cost of Ownership is underwritten by the Philips Selecon Three Year Warranty.

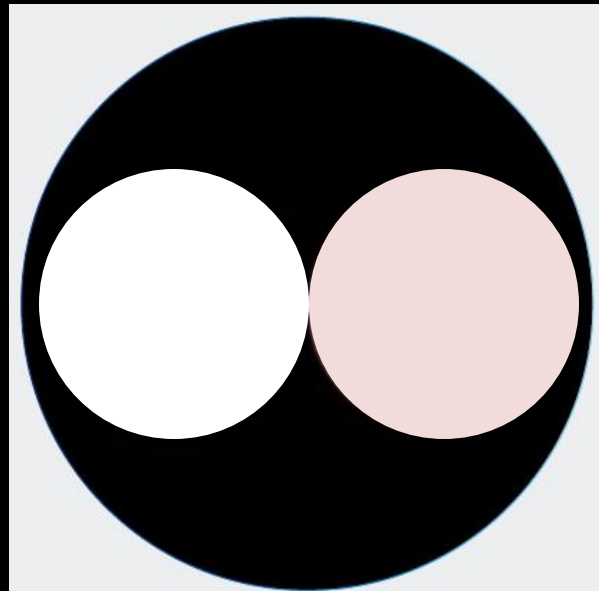




# Performance

## Whiter cooler beam

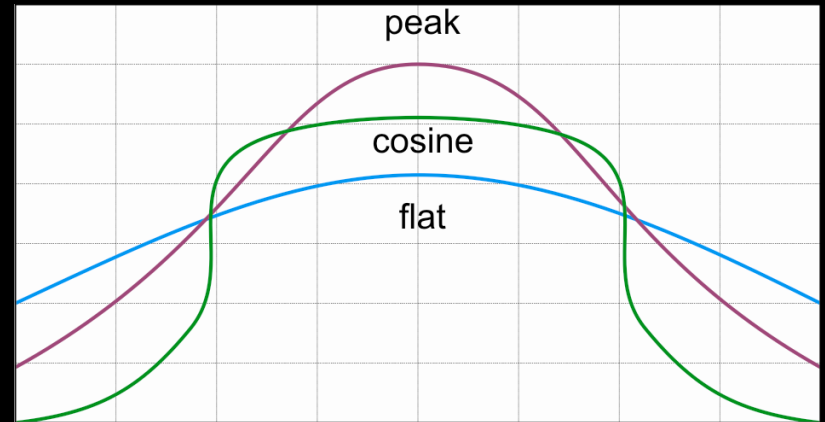
The design of the reflector filter coating for SPX, like the Pacific delivers a 'crisp' white light, untainted by the 'pinkish' hue or other colour cast that is found in most other ellipsoidals using glass dichroic coated reflectors. The result is a cool beam of light which performs as you expect with your colour filter selection.



# Precision

## Effective Control of Light Distribution

The combination of the SPX reflector design with the Philips Selecon lens solution results in a well controlled peak beam with a soft edge which can be easily blended with adjacent beams WITHOUT the use of diffusion as is often required by luminaires employing cosine beam distribution.



The use of diffusion substantially reduces the efficiency of the luminaire, for example the 114 Hamburg Frost drops light intensity by 30% and the 119 Light Hamburg Frost drops light intensity by 19%.

# Precision

## Effective Control of Light Distribution

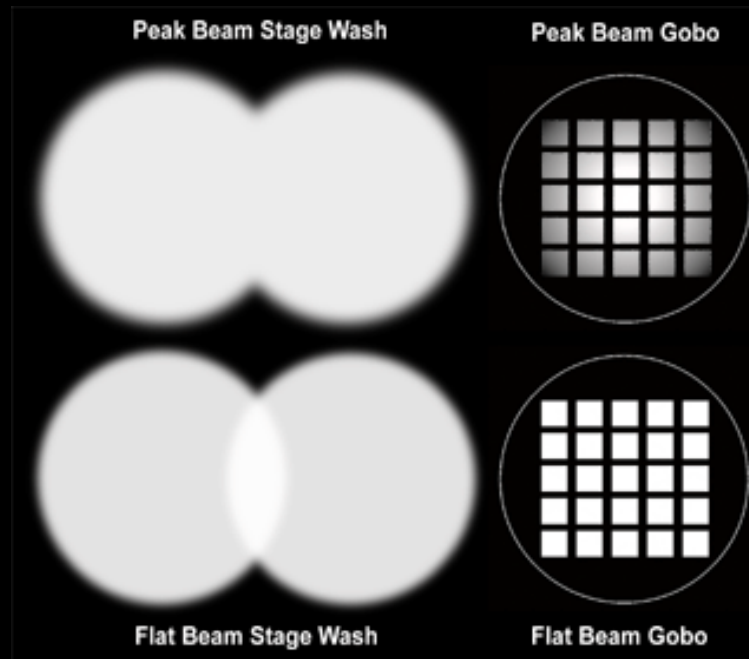
The central planetary gear is simply rotated to move the lamp in and out of the reflector to effect the distribution change. Three alignment knobs centre the lamp in the beam. Pull the required knob away from the rear to free it from the planetary gear then adjust by turning the knob left or right to position the lamp as required.



# Precision

## Effective Control of Light Distribution

The alignment screws are spring loaded to limit damaging vibration or sudden shocks to the white hot lamp filament. The result is a beam which can be easily adjusted from a Peak to the 2:1 Flat distribution which is required for good pattern/image projection.



# Precision Secure

SPX's moulded yoke design provides a stiffness factor twice that of steel as used in current industry unit yokes. With our precision tilt lock off, SPX delivers a more stable luminaire reducing the wasted time and frustration of 'focus slippage'.

Guides which form part of the yoke hold the power cable, and if required a data cable, clear of the luminaire body and safely up to the lighting bar.



**PHILIPS**  
**Selecon**

# Precision Secure

Light spill is minimised by SPX's well baffled intake and air exhaust design; the fully enclosed front accessory holder and gate accessory mount slot cover ensure no unwanted light spill.



# Safety

## Cool Touch rear and lens barrel

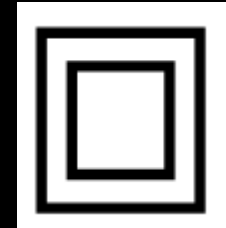
Cool Touch rear luminaire lamp module with grab handle and lens tube protects the user from burns when adjusting focus.



# Safety

## Double Insulated & Automatic Mains Power Disconnection

SPX is the first entertainment ellipsoidal to be double insulated, removing the need for earth testing, adding a further level of security for the end user.



Mains power supply is automatically disconnected when removing the lamp module to change the lamp.



# Safety

## Fitted Safety Cable

Fitted safety bond/cable supplied.

Accessory safety bond/cable anchor point is incorporated into the front accessory holder.



# Simplicity

## Fast to Set and Focus

- Familiar beam angles, familiar appearance.
- Drop in interchangeable lens tubes: both Fixed Beam (14°, 19°, 26°, 36°, 50) and Zoomspot 15°-35°; 25°-50° models.
- Full 360° rotation of the lens tube and shutters with indexing for recording the settings.



# Simplicity

## Fast to Set and Focus

- Two plane shutter design ensures the same focus on all four shutters.
- Shutters secured after focus by SPX's unique integral shutter lock.
- Lenses move on glide bearings minimising lamp damaging vibrations and easing the focus process.
- Reference scale for luminaire tilt; lens(s) position; barrel rotation.



# Simplicity

## Adaptable

Two accessory slots for a wide range of existing Selecon and third party accessories such as adjustable iris; pattern rotator; pattern holder.

SPX will accept the following accessories:

- Selecon Adjustable Iris: 20IRIS
- City Theatrical Iris: Catalogue #2180
- Selecon SPX Steel & Glass Pattern holder:
- SPXGH; SPXGHG
- City Theatrical Pattern Holder: Catalogue # 2160
- Pattern Rotators: Rosco Vortex 360,
- Apollo Smart Move
- Scrollers: Apollo, Wybron, Rainbow
- Donut

Moulded yoke;  
twice as rigid as  
steel

Tilt  
reference  
scale

360° rotatable  
lens barrel with  
reference scale

Two accessory  
mounting slots

Top opening lid  
to clean lenses

Accessory  
safety bond  
anchor point




'Cool Touch' rear  
lamp module and  
grab handle

Automatic mains  
power disconnection

Shutter lock  
clamp

'Cool Touch'  
lens barrel

Fully enclosed no  
spill accessory mount



**SPX** is evolutionary, from  
its form to its structure  
and size.

**Ellipsoidals  
for the  
21st Century**

[www.seleconlight.com/spx](http://www.seleconlight.com/spx)

**PHILIPS**  
**Selecon**