

## CONTROL SYSTEM and ACCESSORIES indoor

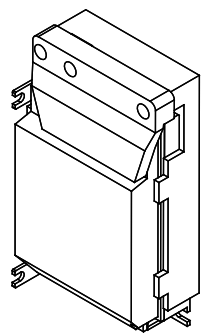
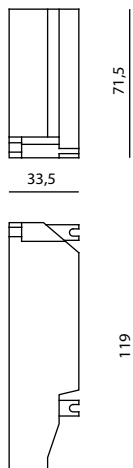
### Control Interface

Interfacce DMX/DALI e 1-10V per sistemi LED ad alta Potenza o sistemi lineari RGB/RGBW/Tunable white. Gli Slave DMX sono compatibili con la Wall pilot station DMX system e lo Stand Alone DMX controller.

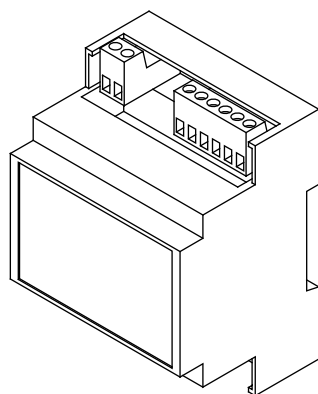
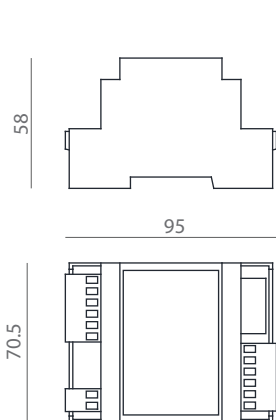
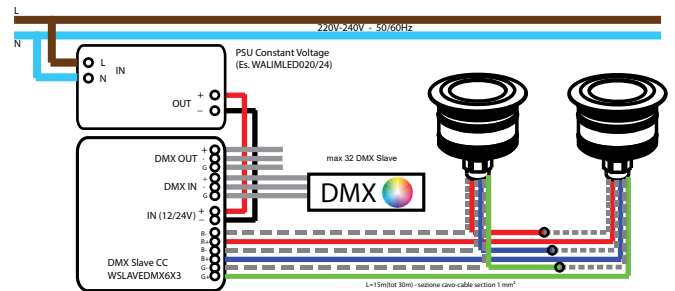
DMX/DALI and 1-10V interfaces for LED system or RGB/RGBW/Tunable white linear systems. DMX Slaves are compatible with Wall pilot station for DMX system and Stand Alone DMX controller.

#### DISEGNO TECNICO DIMENSIONAL DRAWINGS

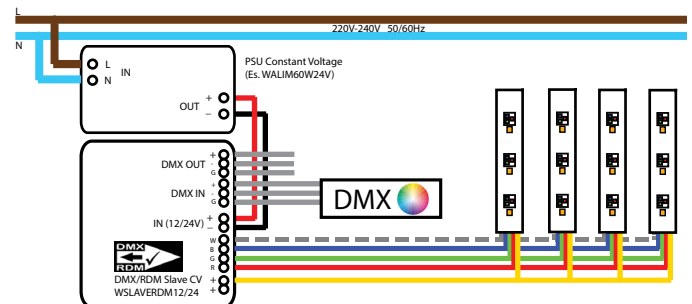
Dimensioni (mm)  
Dimensions (mm)



WSLAVEDMX6X3  
WSLAVEDMX12/24V



WSLAVERDM12/24



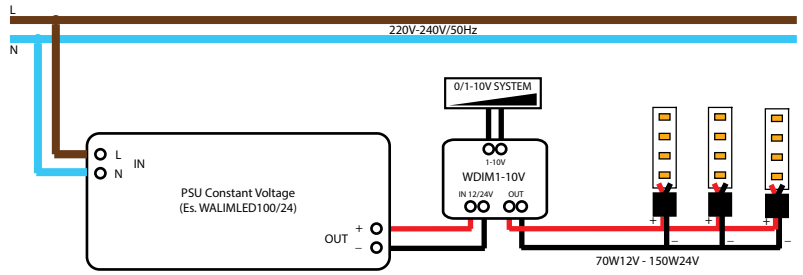
12NC	codice/code	V in	Output	N° canali/N° channel	DMX512	P 12V	P 24V	IP
910504800673	WSLAVEDMX6X3	12/24V	350mA	3	Dip-switch	max 12W	max 25W	IP20
910504800713	WSLAVEDMX12/24V	12/24V	3x2A	3	Dip-switch	max 80W	max 150W	IP20
910504801232	WSLAVERDM12/24	12/24V	4x2A	4	Dip-switch/RDM	max 96W	max 192W	IP20

DISEGNO TECNICO  
DIMENSIONAL DRAWINGS

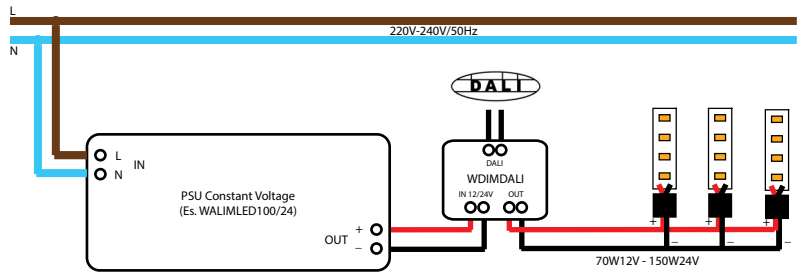
Dimensioni (mm)  
Dimensions (mm)



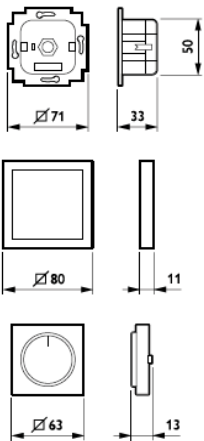
WDIM1-10V



WDIMDALI



12NC	codice/code	V in	Output	Comando/Control	mm	P 12V	P 24V	IP
910504801440	WDIM1-10V	12/24V	1x8A max	0-10V / 1-10V	44x57x25	max 78W	max 156W	IP20
910504801441	WDIMDALI	12/24V	1x8A max	DALI / Push	44x57x25	max 78W	max 156W	IP20



12NC	codice/code	Comando/Control	IP
910504800738	WBOKVAR	1-10V	IP20