

Service Manual

BBP300, BCP300 & BPP300

Mini 300 LED



BBP300 Recessed



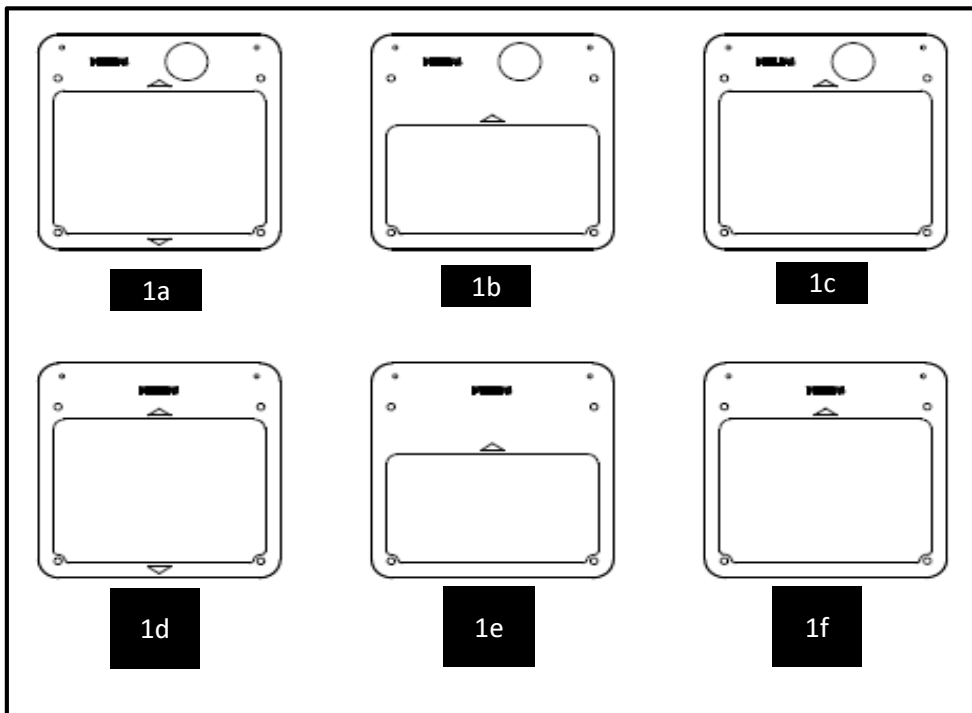
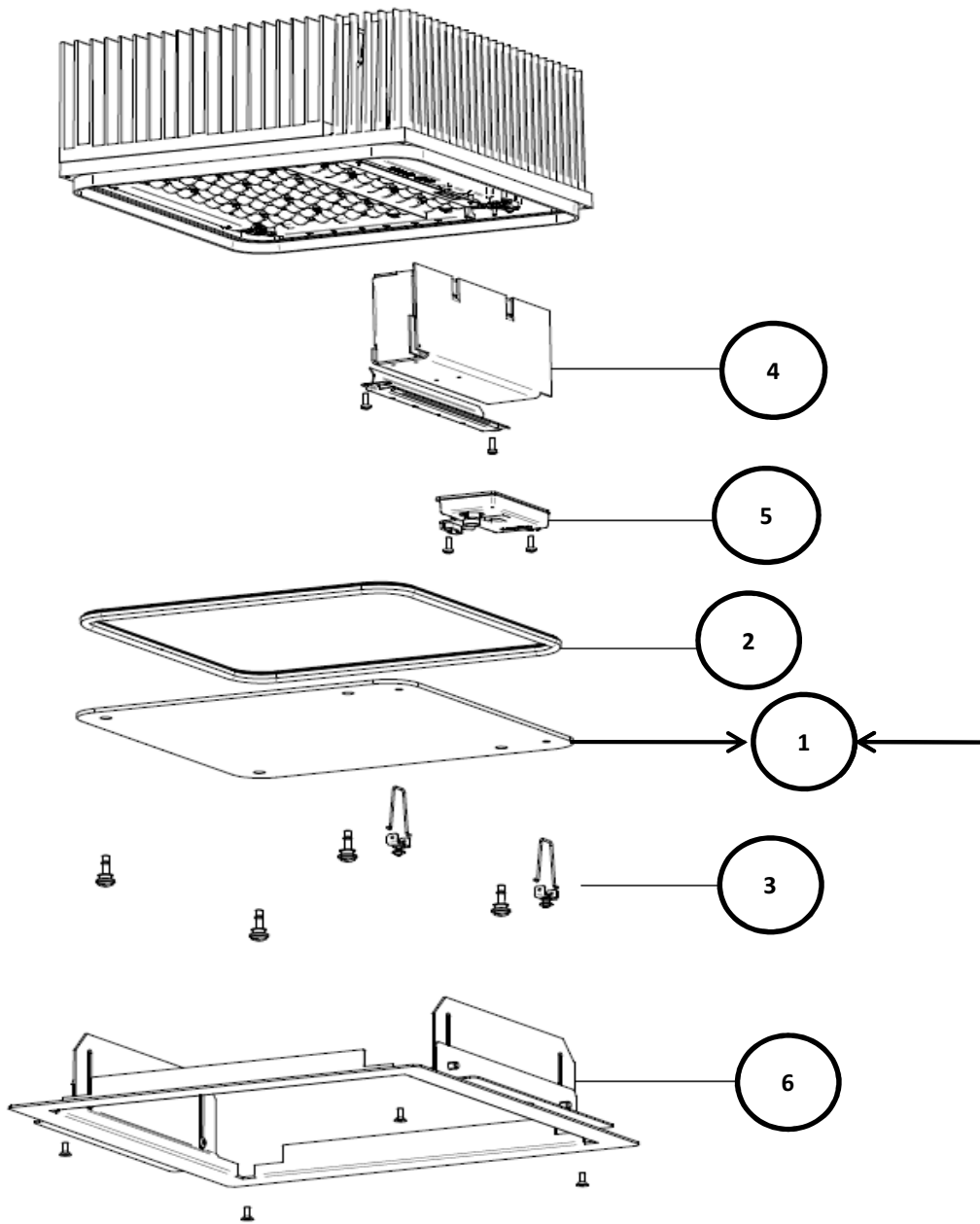
BCP300 Surface Mounted



BPP300 Pole/Wall Mounted

[Return to index](#)

PHILIPS



[Return to index](#)

Data subject to change

Number	Service 12nc	Description
1a	992200110696	BBP/BCP/BPP300 SYM GLASS PSR 137/122W
1b	992200110697	BBP/BCP/BPP300 ASYM GLASS PSR 107/94W
1c	992200110698	BBP/BCP/BPP300 ASYM GLASS PSR 137W
1d	992200110699	BBP/BCP/BPP300 SYM GLASS PSU 137/122W
1e	992200110701	BBP/BCP/BPP300 ASYM GLASS PSU 107/94W
1f	992200110702	BBP/BCP/BPP300 ASYM GLASS PSU 137W
2	992200110703	BBP/BCP/BPP300 SILICON GASKET
3	992200110704	BBP/BCP/BPP300 MOUNTING SCREW (Set of 4)
4	992200110705	BBP/BCP/BPP300 DRIVER UNIT
5	992200110706	BBP/BCP/BPP300 VIDEO SENSOR UNIT
6	992200110707	BBP/BCP/BPP300 MOUNTING RIM ASSY &SCREWS

[Return
to index](#)

Data subject to change