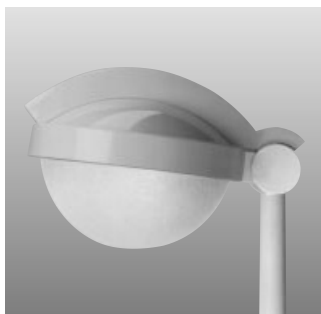
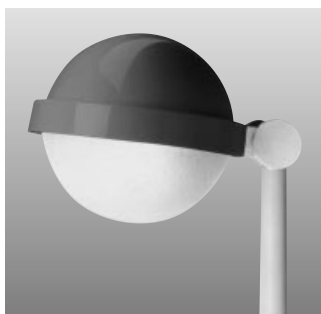


# Field Service Manual CPS 400-409 City Vision



## CPS 400-409

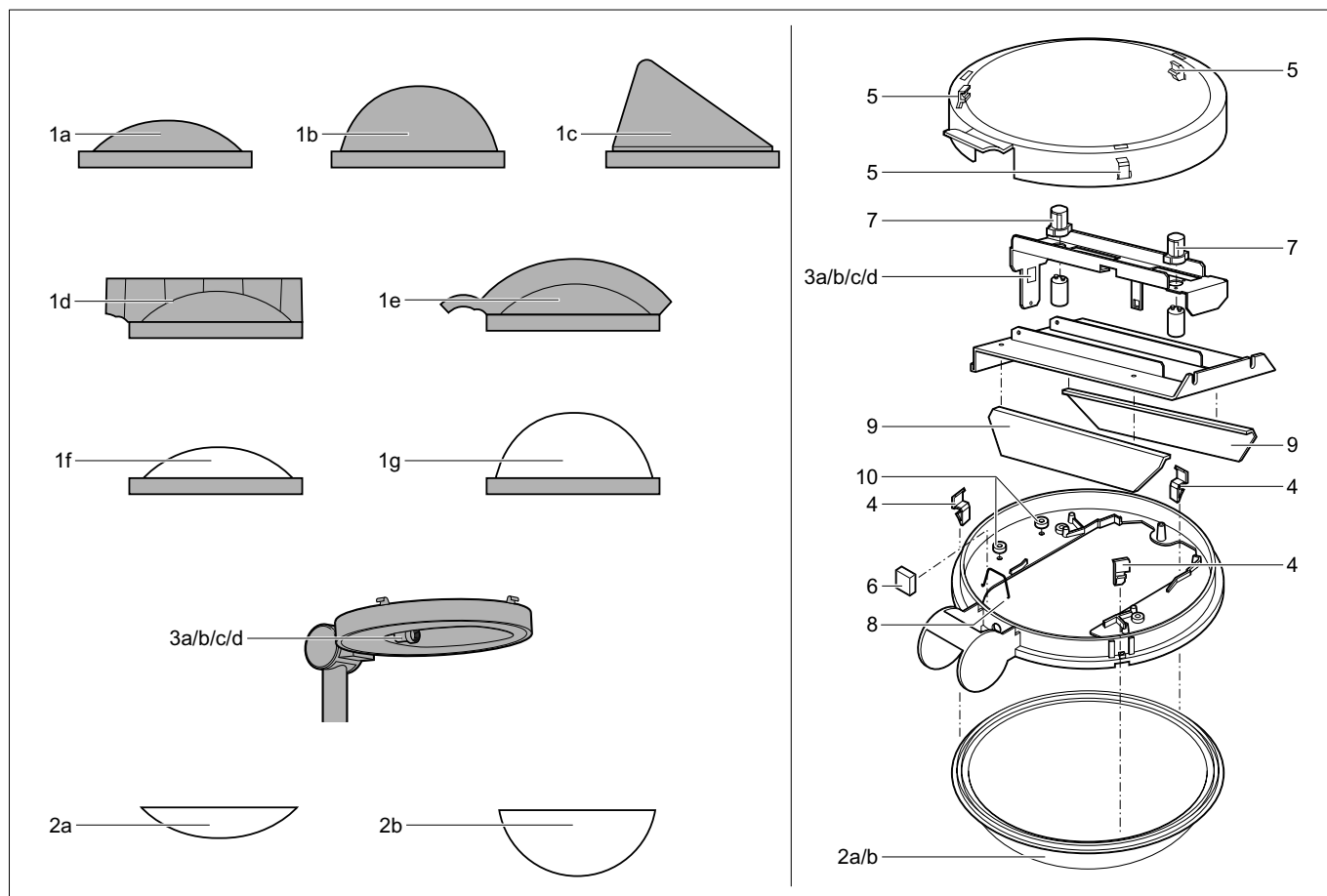
This is the service manual of the above mentioned luminaires.



# Field Service Manual

## CPS 400-409 City Vision

3222 609 26611  
10/04  
Data subject to change



Item	Ordering number	Description
1a	5322 462 42189	Flat upperbowl assy grey
1b	5322 462 42188	Spherical upperbowl assy grey
1c	5322 462 42191	Cone upperbowl assy grey
1d	5322 462 42192	Flag upperbowl assy grey
1e	5322 462 42193	Crest upperbowl assy grey
1f	9965 000 16040	Flat upperbowl transparant assy grey
1g	9965 000 16041	Spherical upperbowl transparant assy grey
2a	5322 462 42186	Flat underbowl assy
2b	5322 462 42187	Spherical underbowl assy
3a	5322 255 10241	Lampholder E 40
3b	5322 255 10243	Lampholder E 27
3c	5322 255 30255	Lampholder SDW-T
3d	5322 255 30257	Lampholder PLL (G24)
4	5322 401 11676	Underclips mono
5	5322 401 11677	Upperclips mono
6	5322 480 10153	Breathing filter (F)
7	5322 256 10338	Starter holder PLL
8	5322 401 11678	Retain clip for underbowl
9	5322 380 10186	PL reflector one side
10	5322 532 12758	Ballast spacer