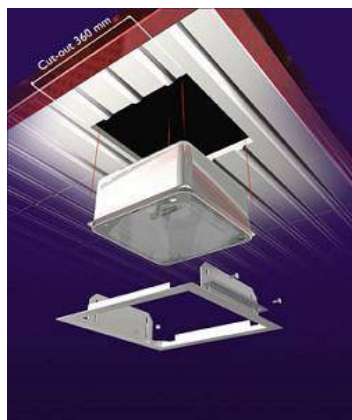


Service Manual

DBP300, DCP300 & DGP300

Mini 300 Cube



DBP300



DCP300

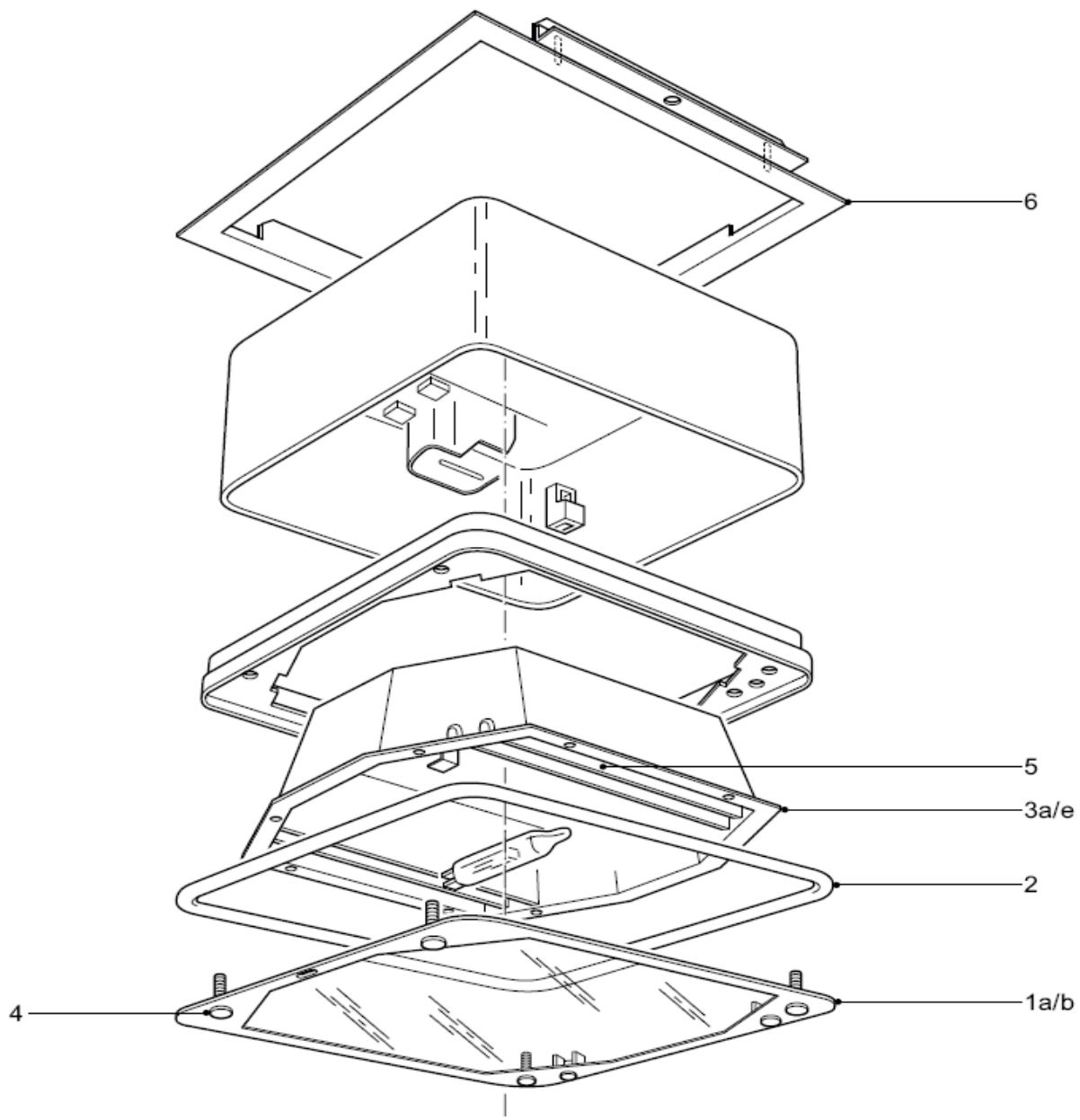


DGP300



[Back to Index](#)

PHILIPS



Number	Service 12nc	Description
1a	996500016248	DBP/DCP/DGP300 SYMMETRIC GLASS
1b	996500016249	DBP/DCP/DGP300 ASYMMETRIC GLASS
2	996500016250	DBP/DCP/DGP300 SILICON GASKET
3a	996500016251	DBP/DCP/DGP300 SYMMETRIC REFLECTOR
3b	996500016252	DBP/DCP/DGP300 ASYMMETRIC REFLECTOR
3c	996500016253	DB&C&GP300/DG&V&WP333 ASYMM MIRROR MB
3d	996500016254	DB&C&GP300/DG&V&WP333 ASYMM MIRROR NB
3e	996500016255	DBP/DCP/DGP300 SYMMETRIC MIRROR MB
4	996500016256	DBP/DCP/DGP300 SCREWS (4 pcs)
5	992200110124	DB&C&GP300/DG&V&WP333 LAMPHOLDER RX7S
6	992200110296	DBP300 MOUNTING RIM ASSY WITH SCREWS

