

Service Manual

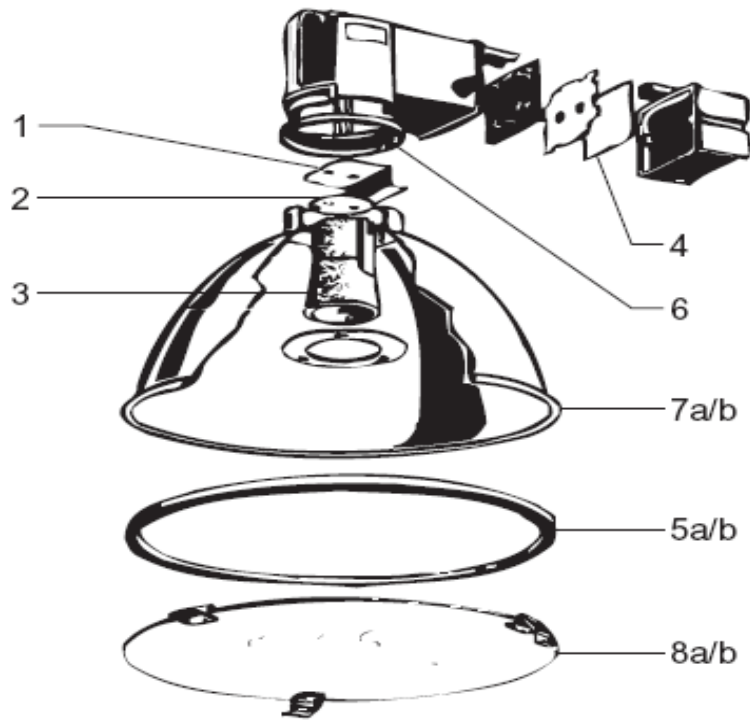
HDK100, MDK100 & SDK100

HDK100, MDK100 & SDK100



[Return
to
Index](#)

PHILIPS



Number	Service 12nc	Description
1	532240590123	H&M&SDK100 LAMPHOLDER BRACKET
2	532246664127	H&M&SDK100 INSULATING PLATE
3	532225514037	HDK/SNF100&11&307/HGS204&3/HNF001 LAMPHOLDER E40
4	532246611993	H&M&SDK100 SILICON GASKET
5a	532246660944	GASKET HDK100/HPK200/HPK100/HPK350 424mm
5b	532246611994	GASKET HDK100/H&K&SPK200/HPK100 (545 mm)
6	532246612024	GASKET HDK100/HPK110/HPK200/HPK350
7a	992200110054	REFLECTOR ALU NB HDK100/HPK100/KPK200
7b	992200110055	REFLECTOR ALU WB HDK100/HPK100/KPK200
8a	992200110057	GLASS COVER WB HDK100/HPK100/KPK200
8b	992200110056	GLASS COVER NB HDK100/HPK100/KPK200

Data subject to change

[Return
to
Index](#)