

Field Service Manual

H/S/XGS 201 - H/SGS 201



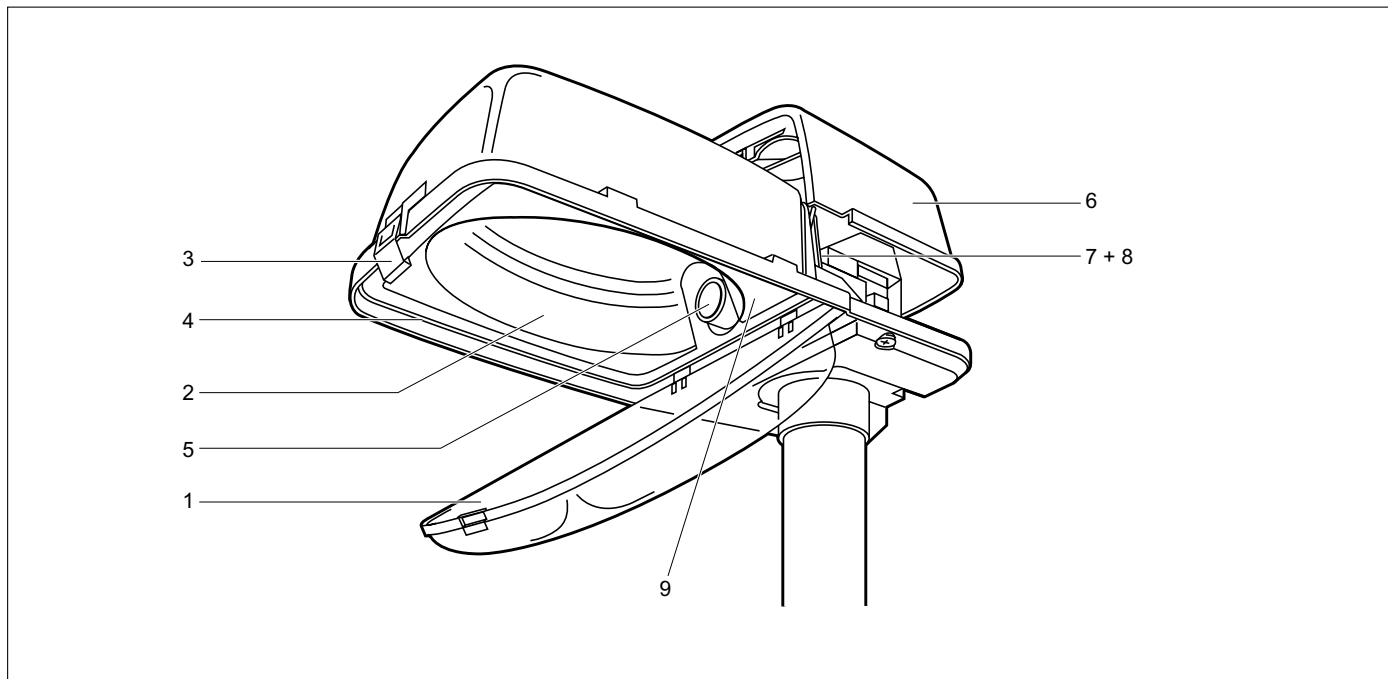
H/S/XGS 201 - Low wattage

This is the service manual of the above mentioned luminaires.

Field Service Manual

H/S/XGS 201 - H/SGS 201

February 2007
Data subject to change



Item	Ordering number	HGS201/080 /125	SGS201/050 /070 /100	XGS201/018 /026 /035	Description
1	5322 461 00049	X	X	X	Bowl
2	5322 380 20491	X	X	X	Reflector O-POT
2	5322 380 20496	X	X	X	Reflector T-POT
2	5322 380 20501	X	X	X	Reflector right part *
2	5322 380 20502	X	X	X	Reflector left part *
2	5322 380 20497	X	X	X	Reflector back part *
3	5322 405 90272	X	X	X	Clip
4	5322 466 62601	X	X	X	Gasket 1200 mm **
5	5322 255 10235	X	X	-	Lampholder E27
5	5322 255 14037	-	X	-	Lampholder E40
5	5322 255 24004	-	-	X	Lampholder B22
6	5322 447 92324	X	X	X	Rear cover
7	5322 466 62599	X	X	X	Gasket (lampholder comp.)
8	5322 462 42145	X	X	X	Rubber cap
9	5322 466 83158	-	X	-	Lampholder bracket (T-POT)
9	5322 466 83159	-	-	X	Lampholder bracket (SOX, HPL)
9	5322 466 83157	X	-	-	Lampholder bracket (O-POT)

* If three part reflector used, order these reflectors.

** Gaskets are supplied per metre length.

When ordering always state the required number of mm as stated above.