

Service Manual

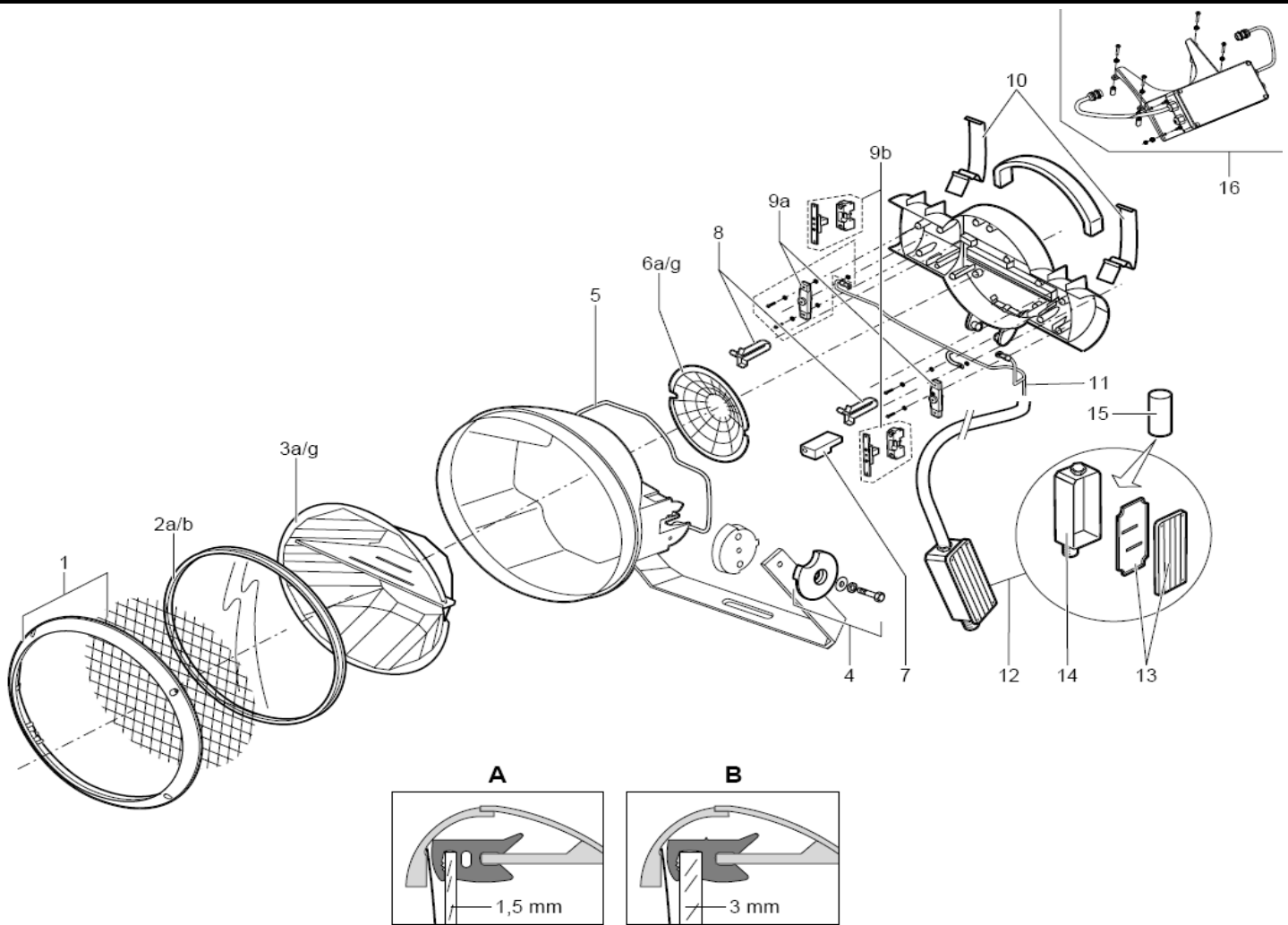
MVF403

ARENAVISION



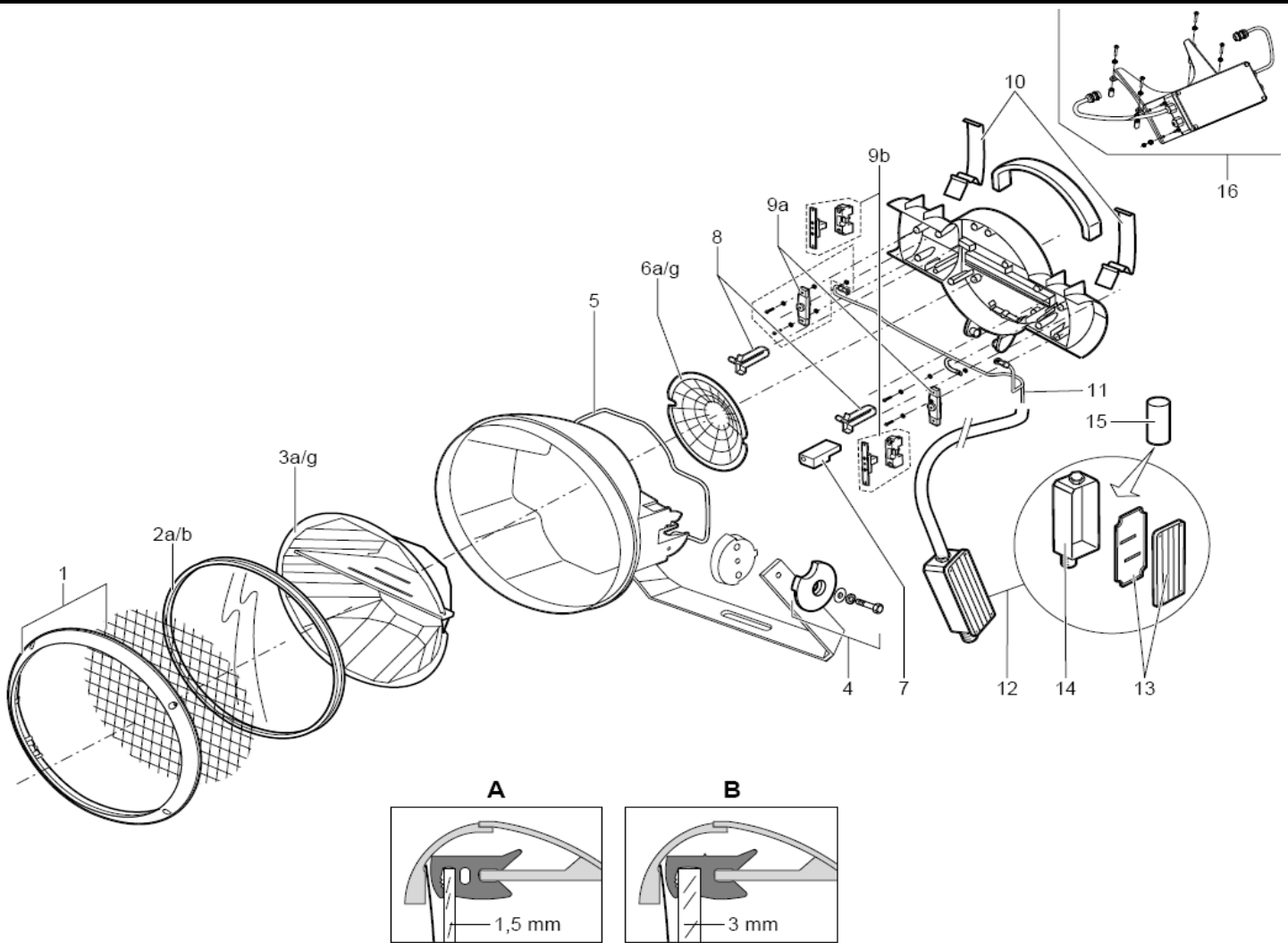
[Back to
Index](#)

PHILIPS



Number	Ordering Number	1000W version	1800W version	2000W version	Description
1	996500005011	X	X	X	MVF403/4 FRAME ALUMINIUM INCL SAFETY NET
2a	996500005012	X	X	X	MVF403/4 FRONTGLASS DOWNLIGHT (see drawing A)
2b	996500005034	X	X	X	MVF403/4 FRONTGLASS UPLIGHT (see drawing B)
3a	996500005035	X	X	X	MVF403 FRONT REFLECTOR ASSY CAT A1
3b	996500005036	X	X	X	MVF403 FRONT REFLECTOR ASSY CAT A2/A3
3c	996500005037	X	X	X	MVF403 FRONT REFLECTOR ASSY CAT A4
3d	996500005038	X	X	X	MVF403 FRONT REFLECTOR ASSY CAT A5
3e	996500005039	X	X	X	MVF403 FRONT REFLECTOR ASSY CAT A6
3f	996500005040	X	X	X	MVF403 FRONT REFLECTOR ASSY CAT A7
3g	992200110237	X	X	X	MVF403 FRONT REFLECTOR ASSY A8
4	996500005041	X	X	X	MVF401&403/MVP507 ADJUSTMENT PART ASSY
5	996500005042	X	X	X	MVF401&403&404 GASKET REAR HOUSING
6a	996500005043	X	X	X	MVF403 REAR REFLECTOR CAT A1/A2
6b	996500005044	X	X	X	MVF403 REAR REFLECTOR CAT A3
6c	996500005045	X	X	X	MVF403 REAR REFLECTOR CAT A4
6d	996500005046	X	X	X	MVF403 REAR REFLECTOR CAT A5
6e	996500005047	X	X	X	MVF403 REAR REFLECTOR CAT A6
6f	996500005048	X	X	X	MVF403 REAR REFLECTOR CAT A7
6g	992200110238	X	X	X	MVF403 REAR REFLECTOR CAT A8
7	996500005049	X	X	X	MVF403 MICROSWITCH

For detailed reflector combinations see page 3



Number	Ordering Number	1000W version	1800W version	2000W version	Description
8a	996500005050	X			MVF401&403 LAMP SUPPORT SET UPLIGHT 1)
8b	996500005051	X			MVF403 LAMP SUPPORT SET DOWNLIGHT 2)
8c	996500005051		X	X	MVF403 LAMP SUPPORT SET 2)
9a	996500005052	X		X	MVF401/403 MANUAL LAMP CONNECTION ASSY 3)
9b	996500005056		X	X	MVF403 AUTOMATIC LAMP CONNECTION ASSY 3)
10	996500005053	X	X	X	MVF401&403 CLIP ASSY REAR HOUSE 4)
11a	996500005054	X			MVF401&403 WIRING SET
11b	996500005057		X	X	MVF403 WIRING SET
12a	996500005055	X			MVF401&403 TERMINAL BOX+WIRING IN TUBE
12b	996500005058		X		MVF403 1800W TERMINAL BOX+WIRING IN TUBE
12c	996500005059			X	MVF403 2000W TERMINAL BOX+WIRING IN TUBE
13	532244792403	X	X	X	MVF401&403&MVP507 COVER TERMINAL BOX & GASKET
14	532244792405	X	X	X	MVF401&403&MVP507 TERMINAL BOX EMPTY
15	532221982687		X	X	IGNITOR MVF024/403/404/406 & MVP507
16a	992200110239	X			MVF403 REAR HOUSE+WIRED HR MODULE 1KW
16b	992200110735		X	X	MVF403 REAR HOUSE+WIRED HR MODULE 1,8/2KW
-	992200111004	X	X	X	MVF403 TIMER UNIT 230/240V (located in separate gearbox)
-	992200111005	X	X	X	MVF403 TIMER UNIT 380/415V (located in separate gearbox)

1) Mounting of lamp in rear housing on position number 1 and 3 (set = left + right)

2) Mounting of lamp in rear housing on position number 2 and 4 (set = left + right)

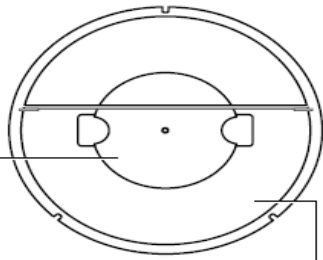
3) Single Connector. Take care that Manual lamp connection was used on 2000W version from

September 2000 till December 2001 and not as indicated before only in 1000W version (see also next page)

4) Single clip

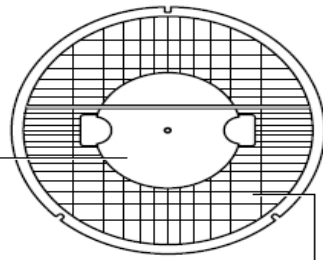
[Back to Index](#)

Extra info on reflectors



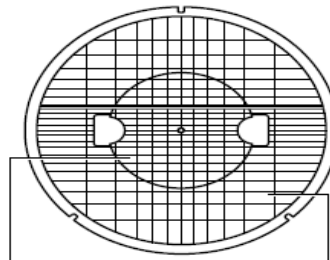
cat A1

Front 9965 000 05035
Rear 8865 000 05043



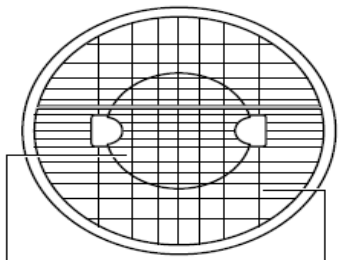
cat A2

Front 9965 000 05036
Rear 9965 000 05043



cat A3

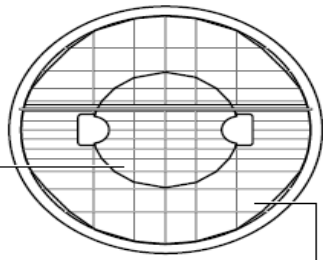
Front 9965 000 05036
Rear 9965 000 05044



cat A4

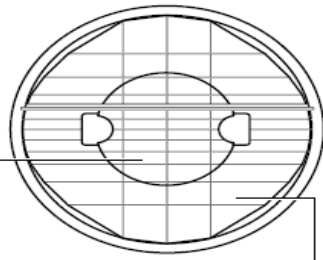
Front 9965 000 05037
Rear 9965 000 05045

99



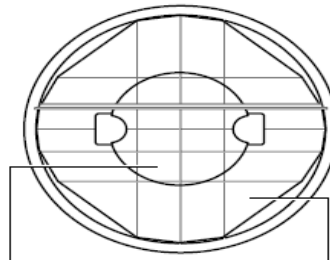
cat A5

Front 9965 000 05038
Rear 9965 000 05046



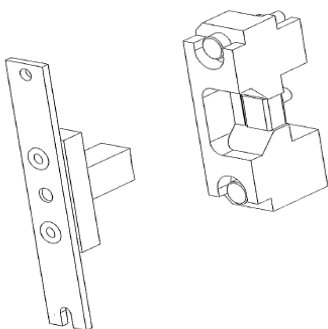
cat A6

Front 9965 000 05039
Rear 9965 000 05047

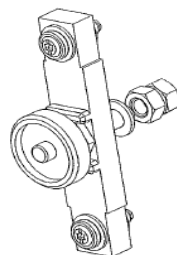


cat A7

Front 9965 000 05040
Rear 9965 000 05048



**Automatic Lamp
Connection
996500005056**



**Manual Lamp
Connection
996500005052**