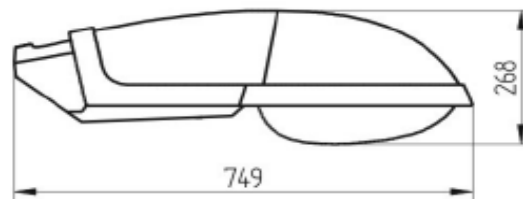
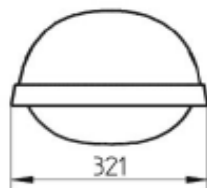
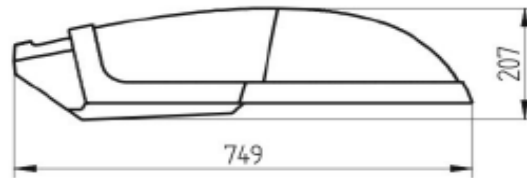
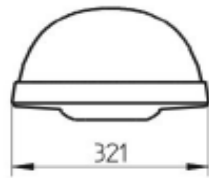


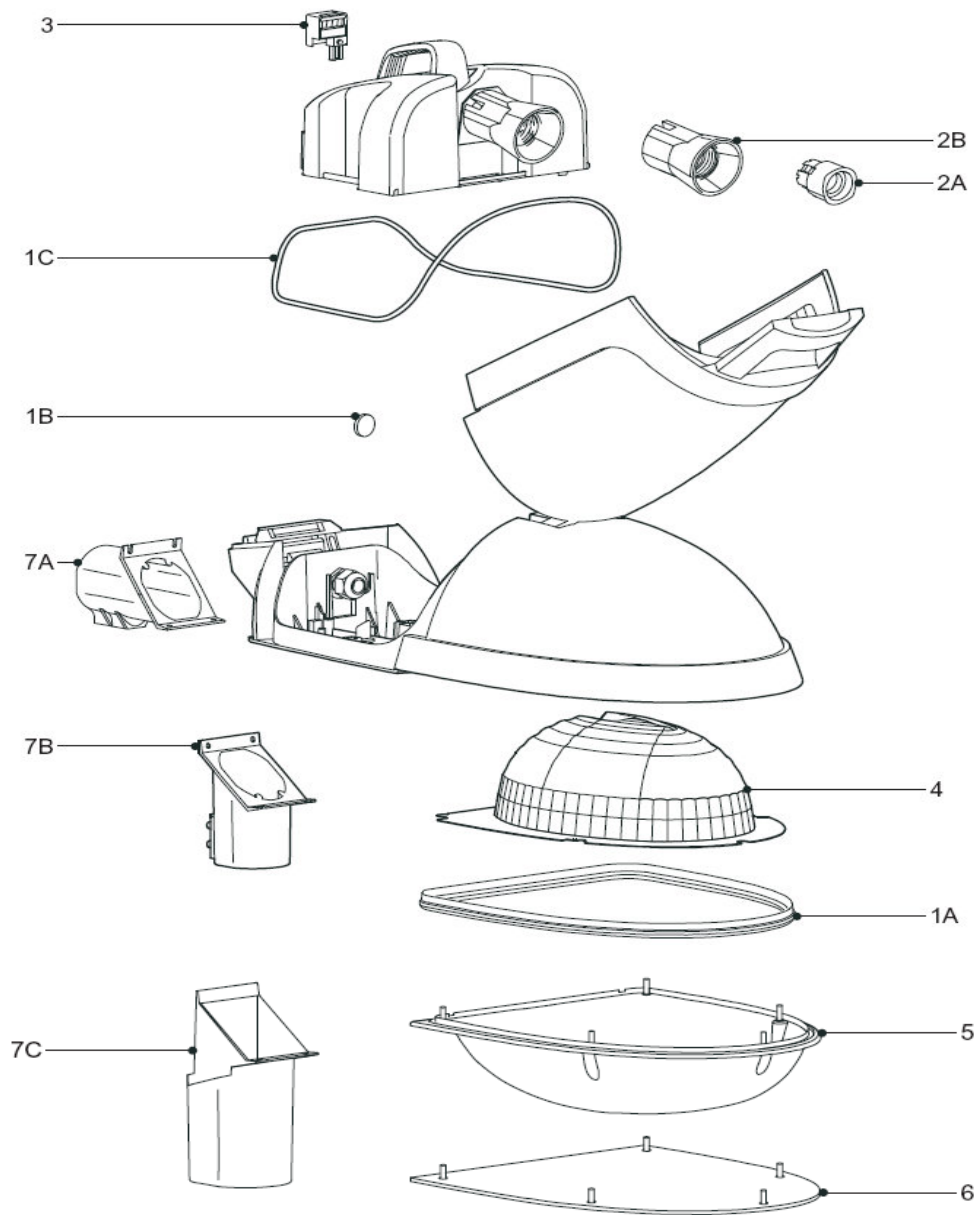
Service Manual

SGP340 Selenium



[Back to Index](#)

PHILIPS



Number	Service 12nc	Description
1A	992200110059	SGP340 BOWL GLASS INCL GASKET
1B	992200110060	SGP340 BREATHING FOAM
1C	992200110061	SGP340 GEAR GASKET
2A	992200110062	SGP340 LAMPHOLDER E27
2B	992200110063	SGP340 LAMPHOLDER E40
3	992200110064	SGP340 2-POLES CONNECTOR FEMALE & COVER
4	992200110065	SGP340 REFLECTOR T-POT
5	992200110066	SGP340 BOWL PC
6	992200110067	SGP340 FLAT GLASS
7A	992200110068	SGP340 SPIGOT FOR SIDE ENTRY (34mm)
7B	992200110069	SGP340 SPIGOT (48/60mm)
7C	992200110070	SGP340 SPIGOT FOR POSTTOP (76mm)



[Back to Index](#)

Data Subject to change

Gear units (to be ordered commercially)

Number	12nc (Commercial)	Description
	822278024312	EGP340 SON-T100/150W II SI SW
	822278035112	EGP340 SON-T100/150W II SS CH
	822278033612	EGP340 SON-T100W EB
	822278016111	EGP340 SON-T100W II ST
	822278027912	EGP340 SON-T150W 240V I ST
	822278032112	EGP340 SON-T150W EB
	822278016211	EGP340 SON-T150W II ST
	822278016311	EGP340 SON-T250W II ST
	822278016411	EGP340 SON-T50/70W II SS
	822278015911	EGP340 SON-T50W II ST
	822278030212	EGP340 SON-T70W EB
	822278016011	EGP340 SON-T70W II ST
	822278016511	EGP340 HPL-N80/125W II
	822278033512	EGP340 SON-T100W 240V I ST
	822278033412	EGP340 SON-T70W 240V I ST