

Service Manual

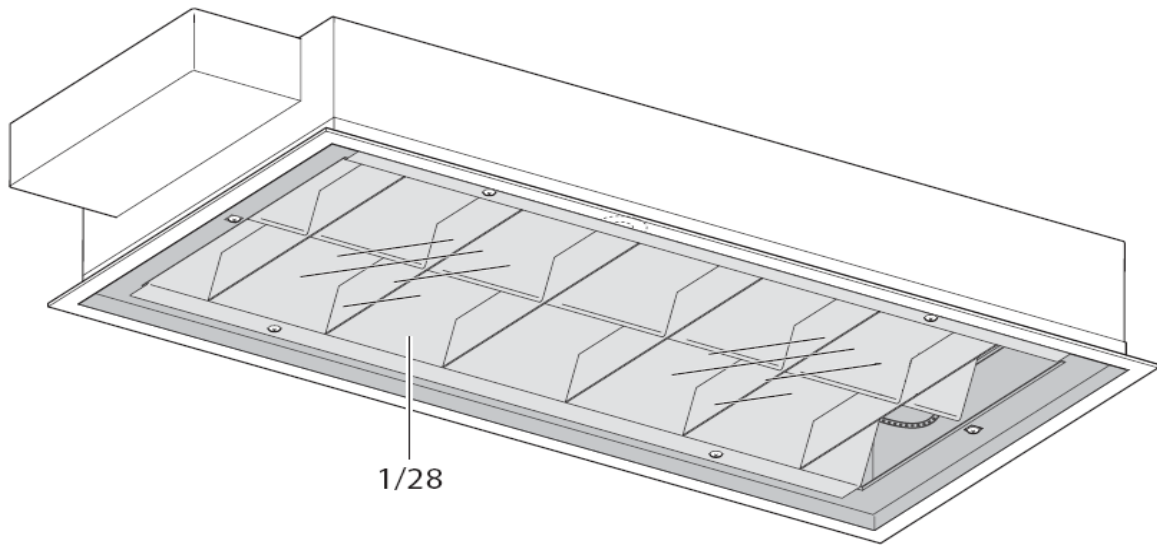
TBS324/326

TBS324/326



[Return
to
Index](#)

PHILIPS



Number	Service 12nc	Description	
1	992200110180	TBS326 GLASS COVER TRANSPARENT TYPE 418	12nc to be created on request
2	992200110181	TBS326 GLASS COVER TRANSPARENT TYPE 236	
3	992200110182	TBS326 GLASS COVER TRANSPARENT TYPE 258	12nc to be created on request
4	992200110183	TBS326 GLASS COVER TRANSPARENT TYPE 228	12nc to be created on request
5	992200110184	TBS326 GLASS COVER TRANSPARENT TYPE 254	12nc to be created on request
6	992200110185	TBS326 GLASS COVER TRANSPARENT TYPE 414	12nc to be created on request
7	992200110186	TBS326 GLASS COVER TRANSPARENT TYPE 424	12nc to be created on request
8	992200110187	TBS326 GLASS COVER OPAL TYPE 418	12nc to be created on request
9	992200110188	TBS326 GLASS COVER OPAL TYPE 236	12nc to be created on request
10	992200110189	TBS326 GLASS COVER OPAL TYPE 258	12nc to be created on request
11	992200110190	TBS326 GLASS COVER OPAL TYPE 228	12nc to be created on request
12	992200110191	TBS326 GLASS COVER OPAL TYPE 254	12nc to be created on request
13	992200110192	TBS326 GLASS COVER OPAL TYPE 414	
14	992200110193	TBS326 GLASS COVER OPAL TYPE 424	12nc to be created on request
15	992200110194	TBS324 GLASS COVER TRANSPARENT TYPE 418	12nc to be created on request
16	992200110195	TBS324 GLASS COVER TRANSPARENT TYPE 236	12nc to be created on request
17	992200110196	TBS324 GLASS COVER TRANSPARENT TYPE 258	12nc to be created on request
18	992200110197	TBS324 GLASS COVER TRANSPARENT TYPE 228	12nc to be created on request
19	992200110198	TBS324 GLASS COVER TRANSPARENT TYPE 254	12nc to be created on request
20	992200110199	TBS324 GLASS COVER TRANSPARENT TYPE 414	12nc to be created on request
21	992200110200	TBS324 GLASS COVER TRANSPARENT TYPE 424	12nc to be created on request
22	992200110201	TBS324 GLASS COVER OPAL TYPE 418	12nc to be created on request
23	992200110202	TBS324 GLASS COVER OPAL TYPE 236	12nc to be created on request
24	992200110203	TBS324 GLASS COVER OPAL TYPE 258	12nc to be created on request
25	992200110204	TBS324 GLASS COVER OPAL TYPE 228	12nc to be created on request
26	992200110205	TBS324 GLASS COVER OPAL TYPE 254	12nc to be created on request
27	992200110206	TBS324 GLASS COVER OPAL TYPE 414	
28	992200110207	TBS324 GLASS COVER OPAL TYPE 424	12nc to be created on request

[Return to Index](#)