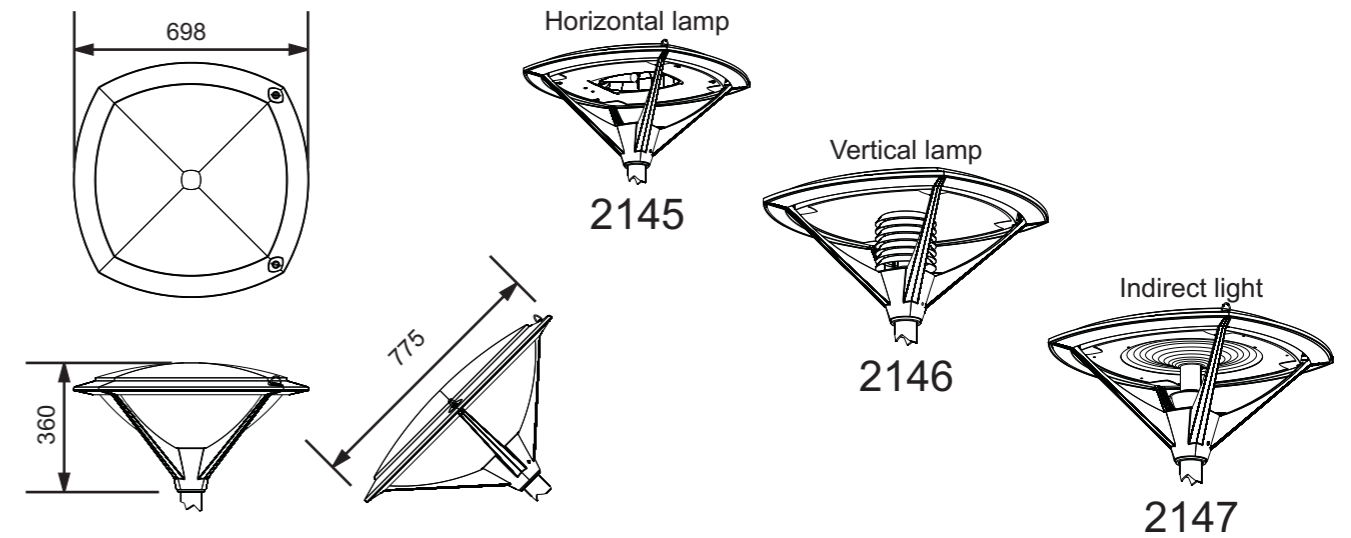


Indal

MONTAGE VOORSCHRIFT
INSTALLATION INSTRUCTIONS
MONTAGEANWEISUNG

Logo
2145, 2146, 2147

INSTRUCCIONES DE MONTAJE
INSTRUCION D'INSTALLATION
INSTRUÇÕES DE MONTAGEM



					2145	2146	2147
PLL 18	18	13	0,155m ²		X	X	
PLL 24	24	13	0,13 cxs		X	X	
PLL 36	36	13			X	X	
PLT 26	26	13			X	X	
PLT 32	32	13			X	X	
PLT 42	42	13	Cx·s		X	X	
PLT 57	57	13			X	X	
SONT50	50	14			X	X	
SONT70	70	14			X	X	
SONT100	100	15			X	X	
SONT150	150	15			X	X	
CDOTT70	70	14			X	X	
CDOTT100	100	15			X	X	
CDOTT150	150	15			X	X	
CPO 45	45	13			X	X	
CPO 60	60	13			X	X	
CPO 90	90	13			X	X	
CPO 140	140	13			X	X	
CDMT35	35	13					X
CDMT70	70	13					X
CDMT150	150	14					X
HQIT70	70	13					X
HQIT150	150	14					X



Ambient : - 20 to + 35 °C in general.

Exceptions for certain versions equipped with dimming gear, mini photocell and electronic gear.

Please check the gear label.

