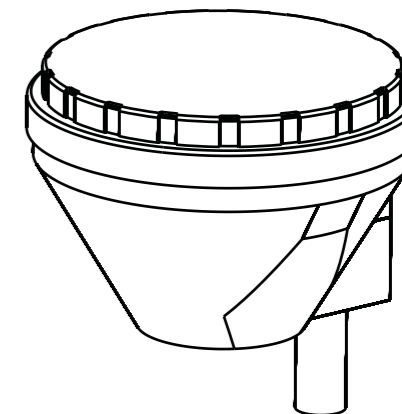
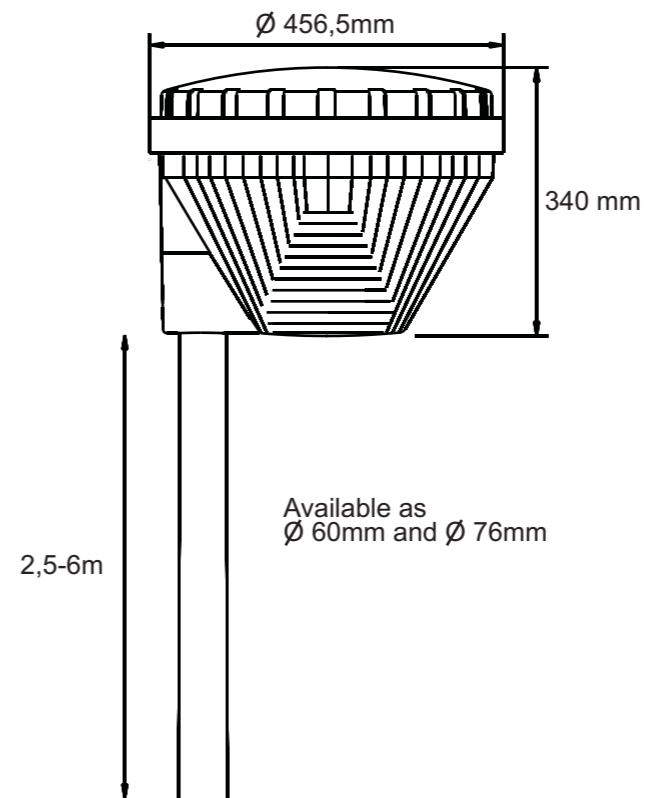


# Indal

MONTAGE VOORSCHRIFT  
INSTALLATION INSTRUCTIONS  
MONTAGEANWEISUNG

## Pathfinder (Pfadfinder/Padvinder) 2400

INSTRUCCIONES DE MONTAJE  
INSTRUCTION D'INSTALLATION  
INSTRUÇÕES DE MONTAGEM



Light Type	W	Kg Max	m <sup>2</sup>	Nr..
------------	---	--------	----------------	------

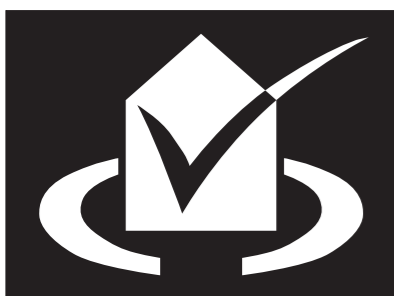
PLS	7	5	0.13	2400.11
PLS	9	5	0.13	2400.11
PLS	11	5	0.13	2400.11
PLL	18	5	0.13	2400.12
PLL	24	5	0.13	2400.12
PLT	18	5	0.13	2400.13
PLT	26	5	0.13	2400.13
PLT	32	5	0.13	2400.13
PLT	42	5	0.13	2400.13
PLT	57	5	0.13	2400.13
SON-E	70	5	0.13	2400.22
SON-T	50	5	0.13	2400.22
SON-T	70	5	0.13	2400.22
CDO-TT	70	5	0.13	2400.24
CDO-ET	70	5	0.13	2400.24

E27 100W max	5	0.13	2400.00
--------------	---	------	---------

Ambient : - 20 to + 35 °C in general.

Exceptions for certain versions equipped with dimming gear, mini photocell and electronic gear.

Please check the gear label.



Data subject to change. Rev. Date: 29/01/2008

IP  
66

IK  
08

T20

2mm

5mm

CE

