

Flow LED

BGP490 LLM3200/840 | DTS 9007



BGP490 - Fortimo LED LLM 3200 - Distribution tunnel symmetrical

Specially designed for slow-traffic underpass lighting, Flow LED combines elegance and style with high-performance LED lighting. Equipped with the newest Fortimo LED Line units, it easily outperforms conventional fluorescent fixtures.

PHILIPS

Product data

• General information

Product family code	BGP490 [BGP490]
Number of light sources	4 [4 pcs]
Lamp family code	LLM3200 [Fortimo LED LLM 3200]
Light source color	840 [840 white]
Number of gear units	1 [1 unit]
Driver included	true [Yes]
Protection class IEC	I [Safety class I]
Ingress protection code	IP65 [Dust penetration-protected, jet-proof]
Mech. impact protection code	IK10 [20] vandal-resistant]
Optic type	DTS [Distribution tunnel symmetrical]
Color	RALSTD [RAL standard]
Standard RAL color	9007 [Gray aluminum]
Dimmable	Yes [Yes]
CE mark	CE [CE mark]
ENEC mark	ENEC [ENEC mark]
Constant light output	No [No]

• Light technical

Standard tilt angle posttop	0 [0°]
Standard tilt angle side entry	0 [0°]

• Electrical

Input voltage	220-240 V [220 to 240 V]
Input frequency	50-60 Hz [50 to 60 Hz]
Driver current	700 mA [700 mA]

• Mechanical

Housing material	ALU [Aluminum]
------------------	----------------

• Initial perform. (IEC compliant)

Initial input power	30 W [30 W]
Initial luminous flux	3200 Lm
Init. Corr. Color Temperature	4000 [4000 K]
Init. Color Rendering Index	>80 [>80]

• Application conditions

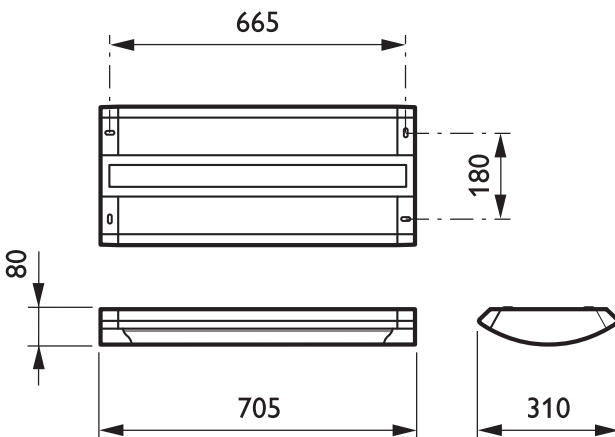
Average ambient temperature	T25 [+25 °C]
Ambient temperature range	-20 to +35°C [-20 to +35 °C]

• Product Data

Order code	912300025970
Full product code	912300025970
Full product name	BGP490 LLM3200/840 I DTS 9007
Order product name	BGP490 LLM3200/840 I DTS 9007
Pieces per pack	0
Packs per outerbox	1
Bar code on outerbox - EAN3	8717943228737
Logistic code(s) - 12NC	912300025970
Net weight per piece	16.000 kg



Dimensional drawing



BGP490 LLM3200/840 I DTS 9007



© 2014 Koninklijke Philips N.V. (Royal Philips)
All rights reserved.

Specifications are subject to change without notice. Trademarks are the property of Koninklijke Philips N.V. (Royal Philips) or their respective owners.

www.philips.com/lighting

2014, September 7
data subject to change