



## Twin Motion LED Sensor

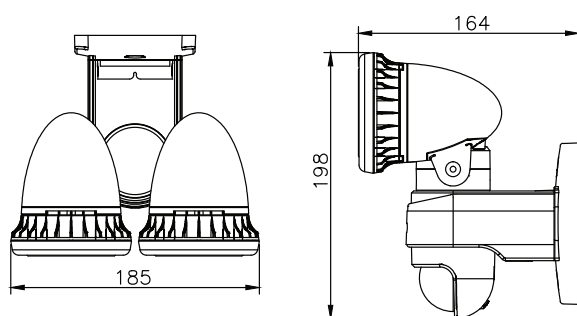
The Philips LED motion sensor incorporates the latest in lighting technology with practical and user friendly features, including adjustable beam angles and sensor timer.

Designed as a total fit and forget solution, the LED motion and daylight sensor is the complete package with low energy usage and extra long life.



### Features and Benefits

- Low 2 x 7.5W LED adjustable beam angles.
- Bright 5,000K colour temperature.
- Up to 30,000 hours lifetime.
- IP44 rated for outdoor use.
- Powerful 1,000 lumens light output.



Product ID	L (mm)	W (mm)	H (mm)
EH313L	164	185	198

Dimensions in mm (Nominal)

### TWIN MOTION LED SENSOR

Family Name	Twin Motion LED Sensor	Installation	Wall Mounted
Model	EH313L	IP rating	IP44
Lumen/ Watt	EH313L - 1000lm/ 15W	Weight	0.80kg
Lamp Colour	5000K	Colour of housing	Black
Colour Rendering Index (CRI)	80	Application	Residential Security
Flex and Plug	Not included		
Lifetime (L70)	30,000 hrs		
Angle	Directional		
Driver	Integrated driver		