

PHILIPS

GreenSpace Gen 4
LED Downlight

7W – 22.3W



The **energy-efficient retrofit** downlight for commercial spaces

Features and benefits

- Energy-efficient. Up to 105lm/W.
- Comprehensive range. From 650lm – 2300lm, three cut-out sizes and two colour temperatures. Available in white and aluminium reflector.
- Improved and more uniform and diffused lighting effect.
- Reliable and low maintenance. At up to 50,000 hours lifetime*, this is a true "fit and forget" solution.
- IP54 options available for selected range.
- Dali options available.

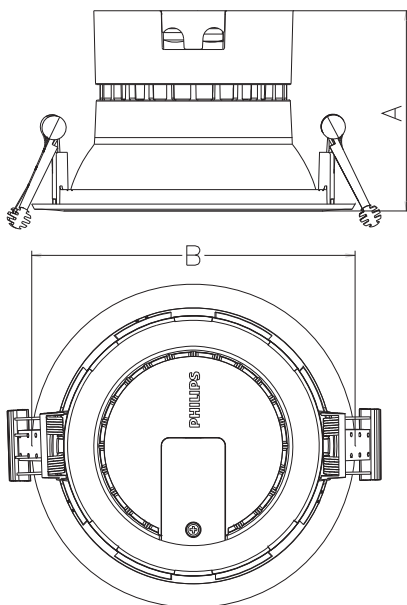
Product data

Family name	GreenSpace Gen 4 LED Downlights	
Model	DN290B – Micro DN291B – Mini DN292B – Compact DN293B – Compact Power	
Lumen/Watt	DN290B Fixed – 7W @ 650lm, 93lm/W DN291B Fixed – 11.5W @ 1100lm, 95lm/W DN292B Fixed – 16.4W @ 1600lm, 97lm/W DN293B Fixed – 22.3W @ 2300lm, 103lm/W	DN291B DALI – 12.4W @ 1100lm, 88lm/W DN292B DALI – 15.4W @ 1600lm, 103lm/W DN293B DALI – 20.8W @ 2200lm, 105lm/W
Correlated Colour Temperature (CCT)	3000K, 4000K	
Colour Rendering Index (CRI)	83	
Flex and plug	Yes	
Lifetime (L70@25°C)*	50,000hrs	
Unified Glare Ratio (UGR)	≥23-25	
Material	WH - PC diffuser with white reflector & trim ALU - PC diffuser with aluminium reflector, temper glass front cover & white trim	
Driver	PSU - Integrated fixed output driver PSD - External DALI-compatible driver	
Installation	Recessed mounting with flexible spring clips	
IP Rating	IP20, IP54** (WP)	
AS/NZS classification	IC rated (Abutted & Covered)	
Colour of housing	White	



*When the fitting reaches 70% of full potential (new). **IP54 available for selected range only

Dimensions (mm)



White reflector range

Model	Cut-out	Diameter (B)	Height (A)	Weight (KG)
DN290B WH (WP)	105	122	95 (99)	0.28 (0.46)
DN291B WH (WP)	150	167	105 (109)	0.38 (0.5)
DN292B/DN293B WH (WP)	200	218	114 (118)	0.5 (0.63)

Aluminium reflector range

Model	Cut-out	Diameter (B)	Height (A)	Weight (KG)
DN290B ALU and WP	105	122	95	0.46
DN291B ALU and WP	150	167	109	0.6
DN292B/DN293B ALU and WP	200	218	118	0.85

Product models

White reflector range



DN290B



DN291B



DN292B/DN293B

Aluminium reflector range



DN290B



DN291B



DN292B/DN293B

GreenSpace 4 - Compact Power - cut-out 200mm

DN293B 1xDLED-3000 PSU ALU CAU
DN293B 1xDLED-4000 PSU ALU CAU
DN293B 1xDLED-3000 PSU WH CAU
DN293B 1xDLED-4000 PSU WH CAU
DN293B 1xDLED-3000 PSD ALU CAU
DN293B 1xDLED-4000 PSD ALU CAU
DN293B 1xDLED-3000 PSD WH CAU
DN293B 1xDLED-4000 PSD WH CAU
DN293B 1xDLED-3000 PSU ALU CAU WP
DN293B 1xDLED-4000 PSU ALU CAU WP
DN293B 1xDLED-3000 PSU WH CAU WP
DN293B 1xDLED-4000 PSU WH CAU WP
DN293B 1xDLED-3000 PSD ALU CAU WP
DN293B 1xDLED-4000 PSD ALU CAU WP
DN293B 1xDLED-3000 PSD WH CAU WP
DN293B 1xDLED-4000 PSD WH CAU WP

GreenSpace - Micro - cut-out 105mm

DN290B 1xDLED-3000 PSU ALU CAU
DN290B 1xDLED-4000 PSU ALU CAU
DN290B 1xDLED-3000 PSU WH CAU
DN290B 1xDLED-4000 PSU WH CAU
DN290B 1xDLED-3000 PSU ALU CAU WP
DN290B 1xDLED-4000 PSU ALU CAU WP
DN290B 1xDLED-3000 PSU WH CAU WP
DN290B 1xDLED-4000 PSU WH CAU WP

GreenSpace 4 - Mini - cut-out 150mm

DN291B 1xDLED-3000 PSU ALU CAU
DN291B 1xDLED-4000 PSU ALU CAU
DN291B 1xDLED-3000 PSU WH CAU
DN291B 1xDLED-4000 PSU WH CAU
DN291B 1xDLED-3000 PSD ALU CAU
DN291B 1xDLED-4000 PSD ALU CAU
DN291B 1xDLED-3000 PSD WH CAU
DN291B 1xDLED-4000 PSD WH CAU
DN291B 1xDLED-3000 PSU ALU CAU WP
DN291B 1xDLED-4000 PSU ALU CAU WP
DN291B 1xDLED-3000 PSU WH CAU WP
DN291B 1xDLED-4000 PSU WH CAU WP
DN291B 1xDLED-3000 PSD ALU CAU WP
DN291B 1xDLED-4000 PSD ALU CAU WP
DN291B 1xDLED-3000 PSD WH CAU WP
DN291B 1xDLED-4000 PSD WH CAU WP

GreenSpace 4 - Compact - cut-out 200mm

DN292B 1xDLED-3000 PSU ALU CAU
DN292B 1xDLED-4000 PSU ALU CAU
DN292B 1xDLED-3000 PSU WH CAU
DN292B 1xDLED-4000 PSU WH CAU
DN292B 1xDLED-3000 PSD ALU CAU
DN292B 1xDLED-4000 PSD ALU CAU
DN292B 1xDLED-3000 PSD WH CAU
DN292B 1xDLED-4000 PSD WH CAU



© 2013 Koninklijke Philips Electronics N.V.
All rights reserved. Reproduction in whole or in part is prohibited without the prior written consent of the copyright owner. The information presented in this document does not form part of any quotation or contract, is believed to be accurate and reliable and may be changed without notice. No liability will be accepted by the publisher for any consequence of its use. Publication thereof does not convey nor imply any license under patent or other industrial or intellectual property rights. Release date: 07/2015

Philips Lighting New Zealand
Level 2, 1 Nugent Street, Grafton
Auckland 1023, New Zealand
Tel: + 64 9 355 4700 or
0800 454 448 (toll free - local only)
Fax: + 64 9 160 875 or
0800 160 875 (toll free - local only)
solutions.NZ@philips.com
www.philips.co.nz/lighting