

PHILIPS

ClearFlood LED
Flood Luminaire

252W-549W



The best solution for **1:1 HID floodlight replacement**

The Philips Clearflood Large LED floodlight is designed to meet the requirements of a wide range of outdoor applications. **The range is designed for 1 for 1 replacement of up to 1000W Philips HID floodlights.**

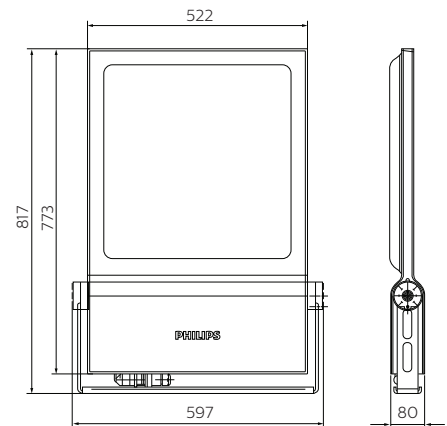
ClearFlood Large has a number of lumen packages to suit your application. Incorporating extremely high-efficiency optics and state-of-the-art LEDs, there is a wide choice of optics options for a variety of environments.

It's perfect for replacing conventional technology and with intelligent lighting control options for more flexibility.

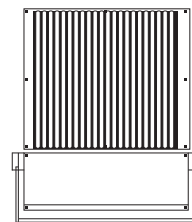
Product data

Family name	ClearFlood Large
Luminaire model	BVP 651
Wattage	252-549W
Luminous flux	35,000-65,000lm
Correlated Colour Temperature	3000/4000K
Colour Rendering Index (CRI)	70
Useful life	75-100,000 hours L80 B10@25 deg C
Operating Temperature Range	minus 40 to plus 40 deg C
Driver	Xitanium/CLO option available
Control	Dali/1-10v/Dyna dimmer/City Touch
Optics	Asymmetrical Floodlight Sport (OFA52) Asymmetrical Medium Beam Sport (A28-MB) Asymmetrical Floodlight Area (A60) Symmetrical Floodlight (S) Symmetrical Floodlight Narrow Spot (N) Various Road Options
Optical elements	*HSS Backlight Reducer (Louvres LO) available for all above options Louvre (accessory) Optical cover Glass clear
Paint finish options	Colour grey (RAL9007) Marine coating Swimming pool coating
Connection	Push-in connector (5 poles)
Impact resistance	IK08
IP rating	IP66
Installation	Stirrup fixation
Max weight	24.5kg
Sail area	@90° 0.41m ² @15° 0.13m ² @0° 0.05m ²

Dimensions



Total Weight: 24.5 kg (all versions)



Features and benefits

- Designed for 1:1 retrofitting up to 1000W HID
- Wide range of lumen packages between 30klm and 65klm
- Wide choice of optics to suit all applications
- Wide range of control options such as City Touch, Dali,1-10v
- Marine/Swimming Pool Special Paint finish options
- System efficacy up to 118lm/w, resulting in up to 45% energy saving when compared to Philips conventional HID floodlights (without the use of external controls)

Applications

- Airports
- Ports
- Large recreational sports facilities
- Industrial areas
- Motorway junctions
- Tennis courts; Residential and Competition
- Aquatic Centres



© 2015 Koninklijke Philips Electronics N.V.
All rights reserved. Reproduction in whole or in part is prohibited without the prior written consent of the copyright owner. The information presented in this document does not form part of any quotation or contract, is believed to be accurate and reliable and may be changed without notice. No liability will be accepted by the publisher for any consequence of its use. Publication thereof does not convey nor imply any license under patent or other industrial or intellectual property rights. Release date: 10/2015

Philips Lighting New Zealand

Level 2, 1 Nugent Street, Grafton
Auckland 1023, New Zealand
Tel: + 64 9 355 4700 or
0800 454 448 (toll free - local only)
Fax: + 64 9 160 875 or
0800 160 875 (toll free - local only)
solutions.NZ@philips.com
www.philips.co.nz/lighting