

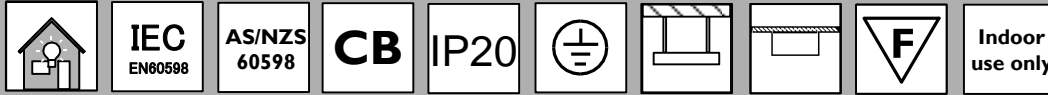
# Core Range Batten

## BNI88C

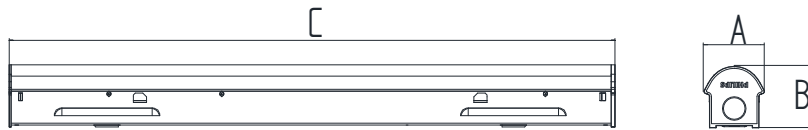
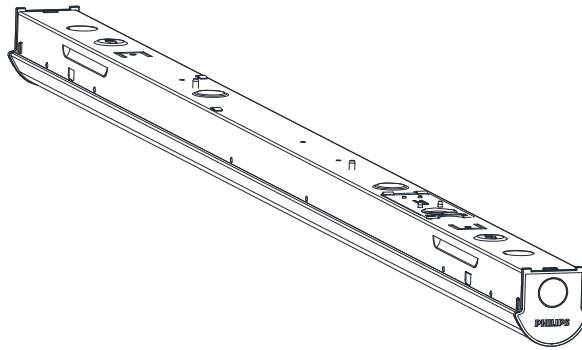
### Mounting instruction

Version date 13-05-2016  
www.lighting.philips.com

BNI88C-M010



Type Desc	Power(W)	A (mm)	B (mm)	C (mm)	kg	CCT	Cover
BNI88C LED60/LI500 BR G2	54	57	58	1416	1.9	CW/NW	ACC/ACF
BNI88C LED30/LI500 BR G2	26	57	58	1416	1.9	CW/NW	ACF
BNI88C LED40/LI200 BR G2	37	57	58	1135	1.7	CW/NW	ACC/ACF
BNI88C LED20/LI200 BR G2	19	57	58	1135	1.7	CW/NW	ACF
BNI88C LED20/L600 BR G2	22	57	58	573	0.8	CW/NW	ACF
BNI88C LED10/L600 BR G2	10	57	58	573	0.8	CW/NW	ACF



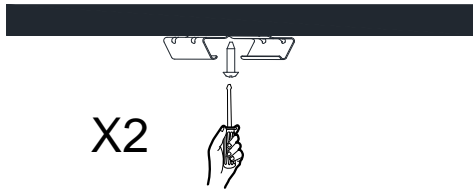
#### Accessories for Optional

Type Desc	Accessories Desc
BY208Z MB-S	Mounting bracket for Symm(Please find this accessory in packaging)
BY208Z MB-A	Mounting bracket for Aymm
BY209Z MB-S	Suspension bracket for Symm
BY209Z MB-A	Suspension bracket for Asym
BY208Z SP	Suspension pole

There are 2 types of cover for this luminaire. "ACC" means clear cover and "ACF" means frosted cover, Please remove the protective film after the luminaires installation.

1

# Surface Mounting BN188C



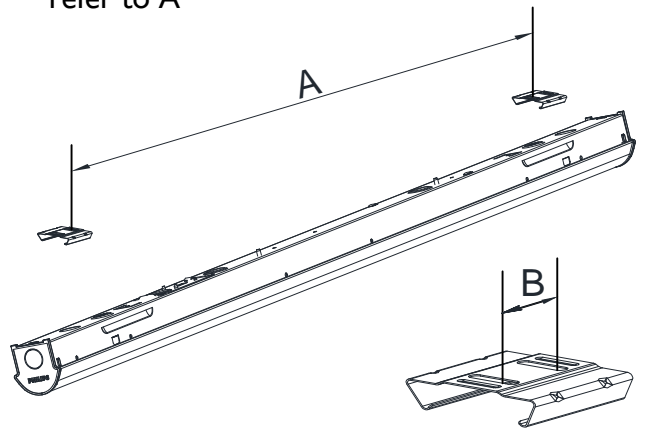
X2

Fix Mounting brackets onto ceiling

1. Mounting bracket for Symm using the unit of BY208Z MB-S
2. Mounting bracket for Asym using the unit of BY208Z MB-A

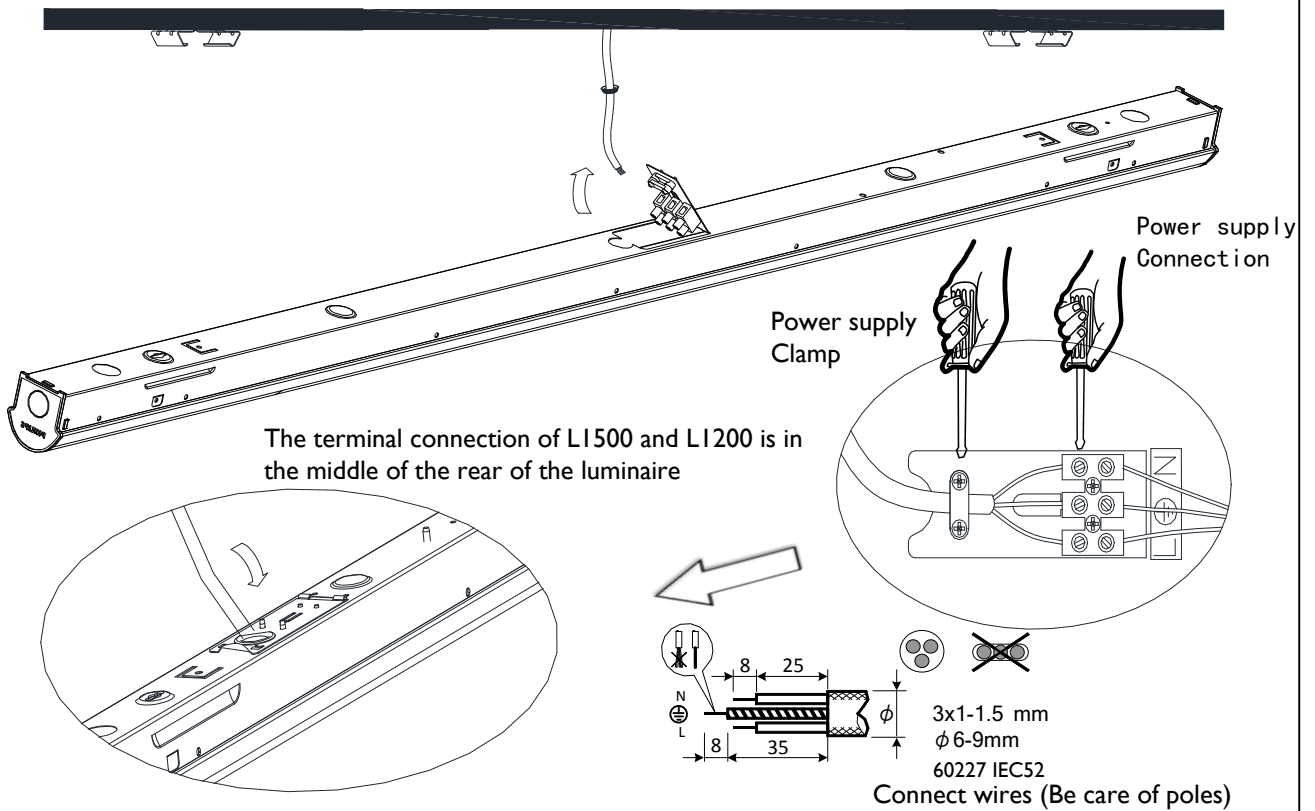
2

The distance of surface mounting refer to A

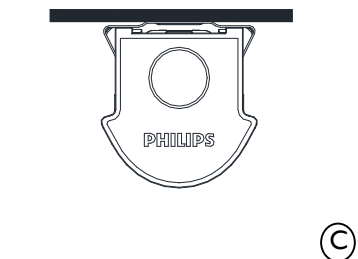
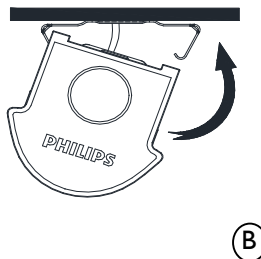
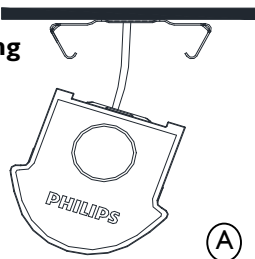


Type Desc.	A(mm)	B(mm)
BN188C L600 BR G2	365±20	20
BN188C L1200 BR G2	823±20	20
BN188C L1500 BR G2	1126±20	20

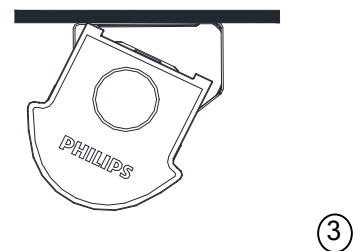
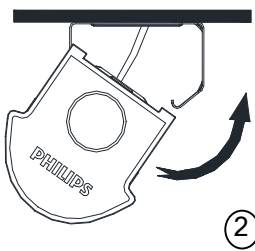
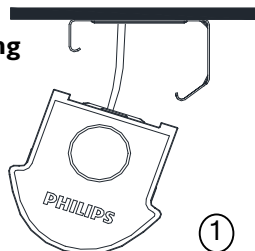
3



Surface Mounting  
for Symm

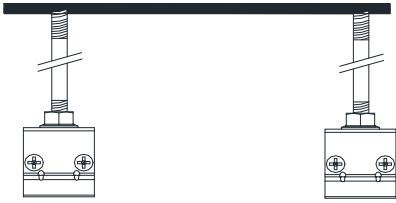


Surface Mounting  
for Asym



1

# Pole Mounting BN188C

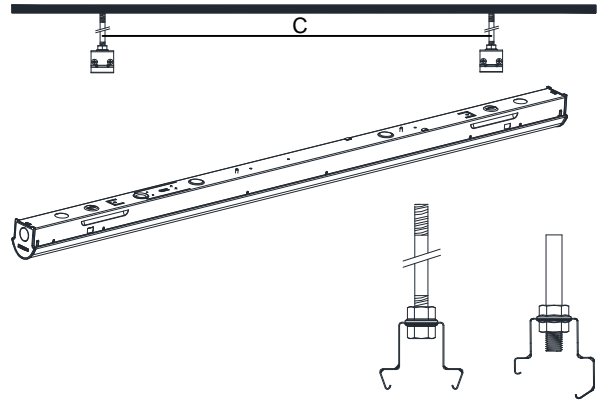


Fixing the pole to ceiling surface

1. Mounting bracket for Symm using the unit of BY209Z MB-S
2. Mounting bracket for Asym using the unit of BY209Z MB-A
3. Suspension pole using the unit of BY208Z SP

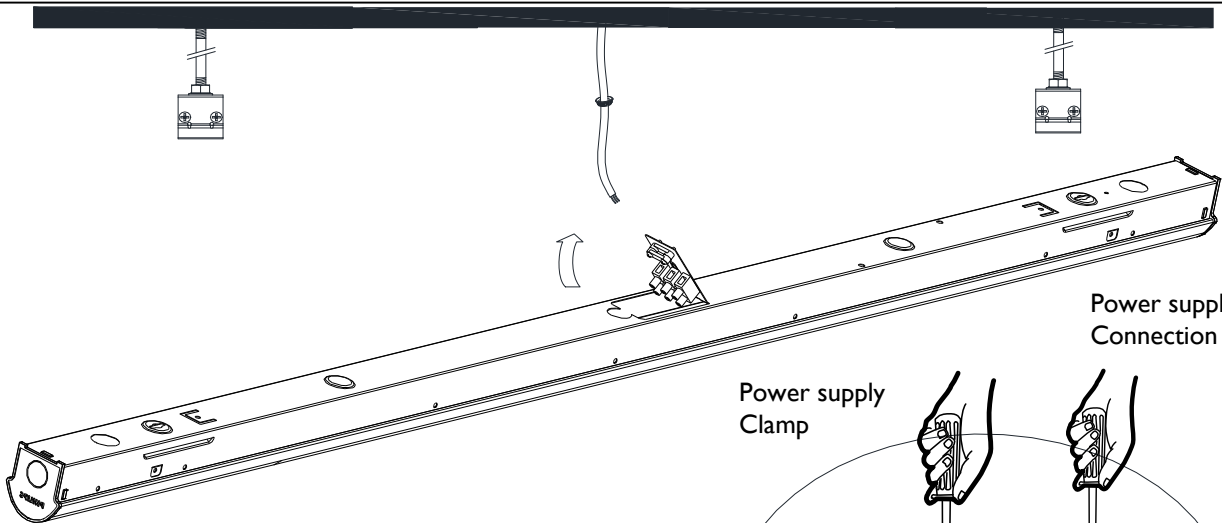
2

The distance of surface mounting refer to C

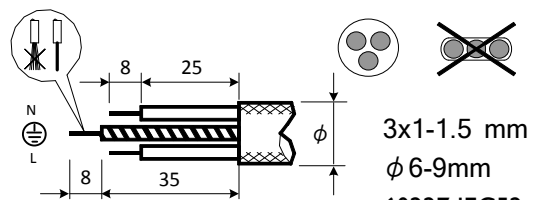
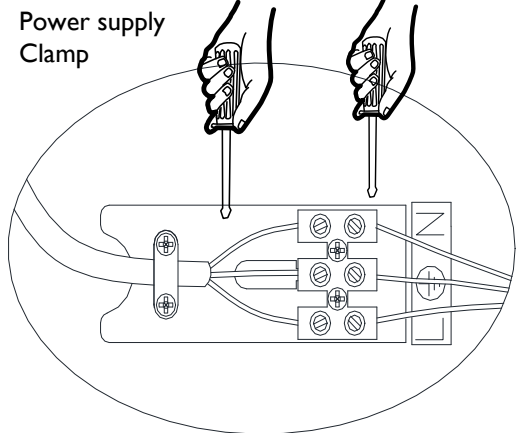
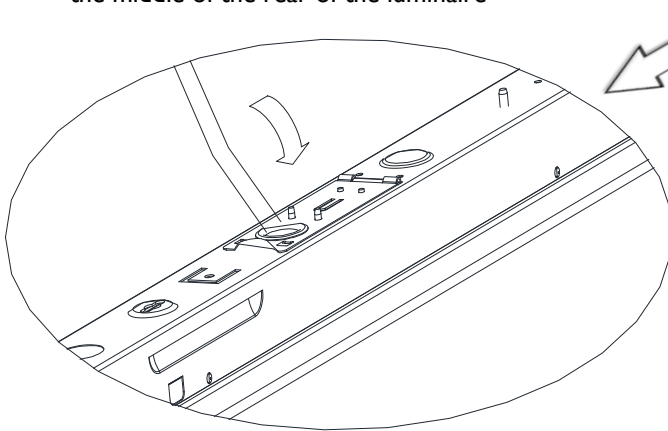


Type Desc.	C(mm)
BN188C L600 BR G2	385 ± 20
BN188C L1200 BR G2	843 ± 20
BN188C L1500 BRG2	1146 ± 20

3

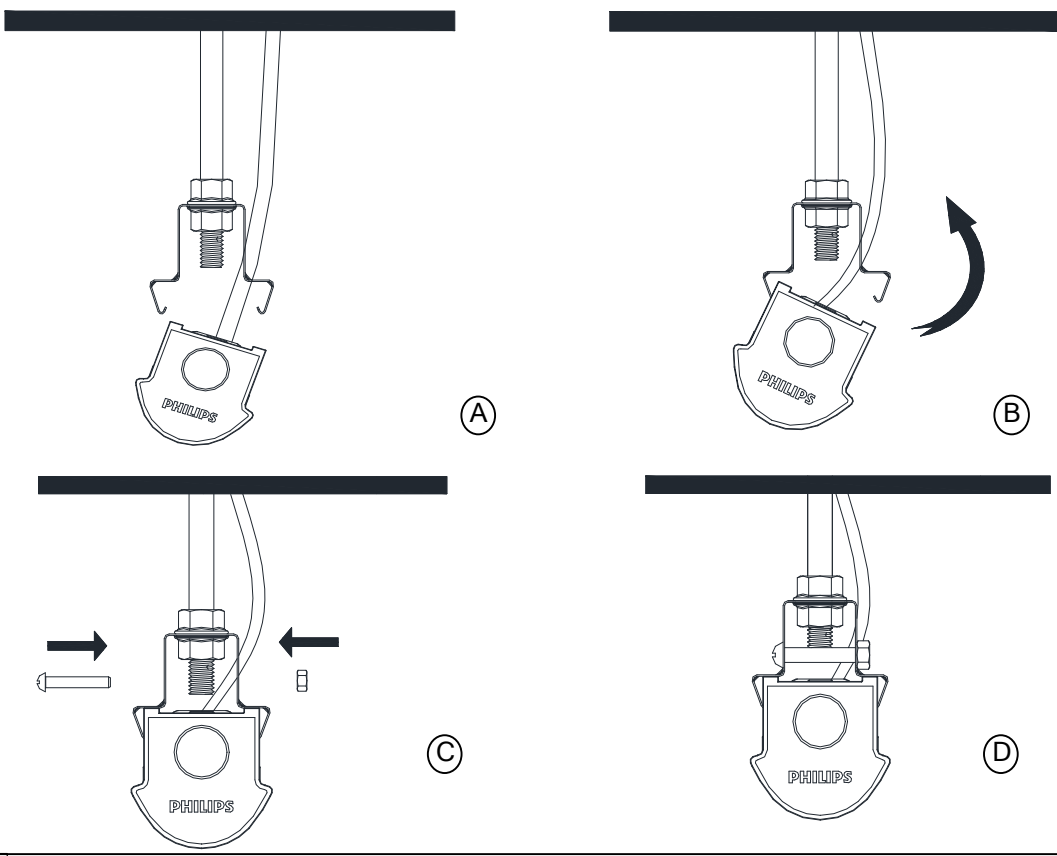


The terminal connection of LI500 and LI200 is in the middle of the rear of the luminaire

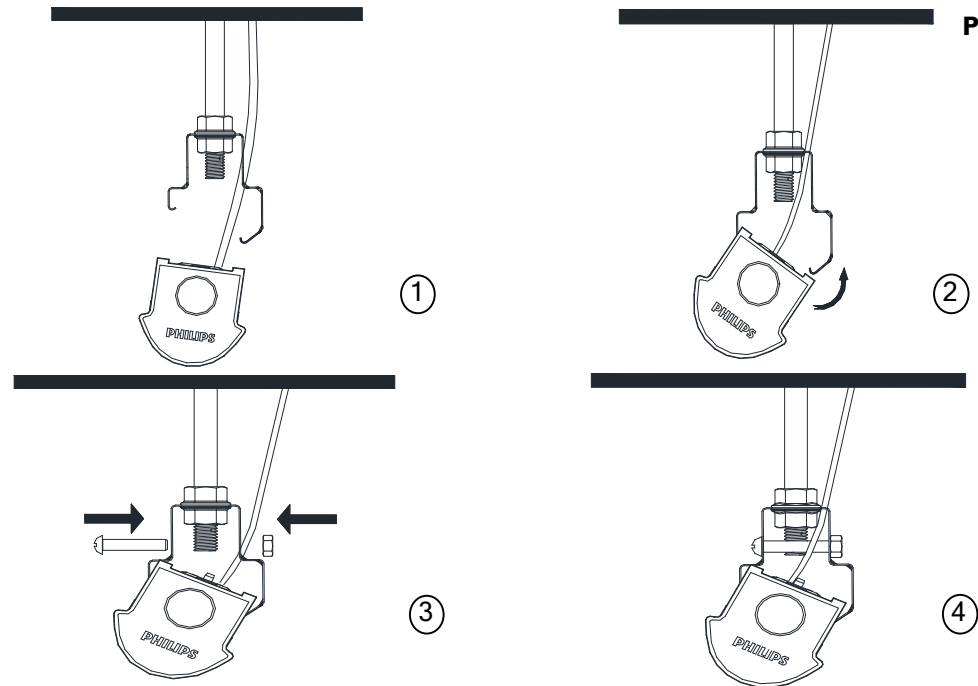


Connect wires (Be care of poles)

4 Pole Mounting for Symm  
BN188C



5 Pole Mounting for Asym



- 1、 The luminaire shall be installed by a qualified electrician and wired in accordance with the latest IEE electrical regulations or the national requirements.
- 2、 Do not switch on before complete installation.
- 3、 The luminaire is suitable for direct mounting or normally flammable material.
- 4、 The irradiation direction of luminaire must be downward or oblique downward 45 °.
- 5、 The light source of this luminaire is not replaceable, when the light source reaches its end of life the whole luminaire shall be replaced.
- 6、 This luminaire is designed for normal Indoor application, should not be used/exposed directly in the environment containing hazardous substances (e.g. H2S and others), need you consult with your local Philips office if using in such applications.
- 7、 The corrosive atmosphere or hazardous materials such as sulfur, chlorine, phthalate, etc must be avoided during the use and storage.