

SportsStar LED

BVP62I

Mounting instruction

444100099131



Technial Description	LEDs	Power/W (max.)	*Maximum Number of Luminaire on MCB 16A Type B		Inrush current		LXWXH(mm)	kg
			Fixed driver	FP driver	Fixed driver	FP driver		
BVP62I 138LED(900 ~ 1050)	138	480	3	2	138A/440µs	159A/300µs	680 X520 X307	22
BVP62I 161LED(900 ~ 1050)	161	560	2	2	184A/440µs	212A/300µs	680 X610 X307	23
BVP62I 184LED(900 ~ 1050)	184	640	2	2	184A/440µs	212A/300µs	680 X610 X307	24
BVP62I 207LED 1050	207	720	2	NA	230A/440µs	NA	680 X656 X307	25
BVP62I 230LED 1050	230	800	2	NA	230A/440µs	NA	680 X656X307	26
BVP62I 207LED(900 ~ 1050)	207	720	NA	I	NA	265A/300µs	680 X656 X307	33
BVP62I 230LED(900 ~ 1050)	230	800	NA	I	NA	265A/300µs	680 X656X307	35
BVP62I 253LED(900 ~ 1050)	253	880	I	I	276A/440µs	318A/300µs	680 X740X307	36
BVP62I 276LED(900 ~ 1050)	276	960	I	I	276A/440µs	318A/300µs	680 X740 X307	36

Factory Description

BVP62I LEDaaa/bb cccW 220-240V ddd GM

aaa denotes rated lumen output:

E.g aaa=460, the rated lumen output 46000lm

bb denotes colour temperature

CW=Cool White,NW=Neutral White,WW=Warm White

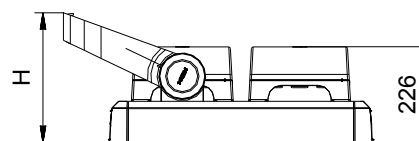
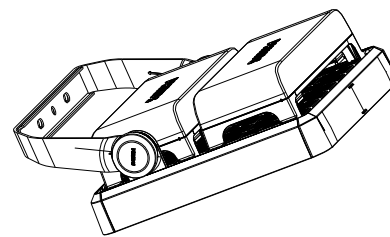
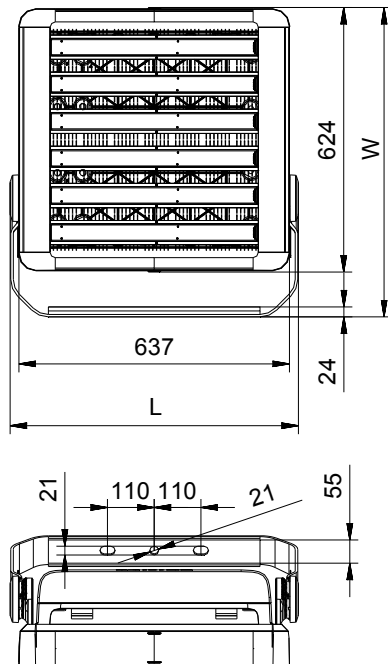
ccc denotes rated system power

E.g ccc=480, the rated system power 480W

ddd denotes : lens

Lens type: NB,AWB,SMB,SWB

Unit: mm



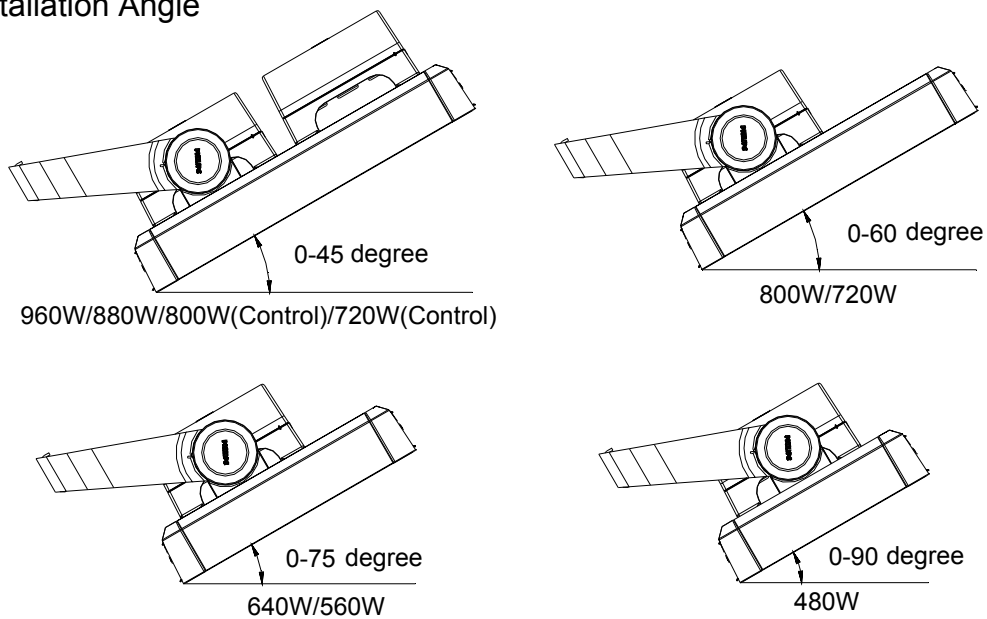
1

Projection Area

Mounting Angle	Vertical Projection Area(m ²)	Horizontal Projection Area(m ²)
0° (<960W)	0.15	0.4
30° (<960W)	0.33	0.42
45° (<960W)	0.39	0.39
60° (720W/800W)	0.38	0.3
75°(640W/560W)	0.29	0.26
90°(480W)	0.24	0.23

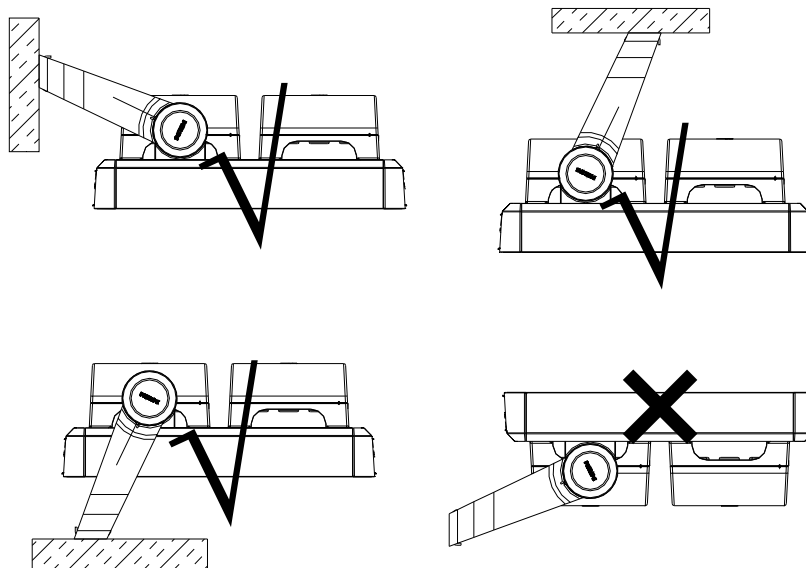
2

Installation Angle



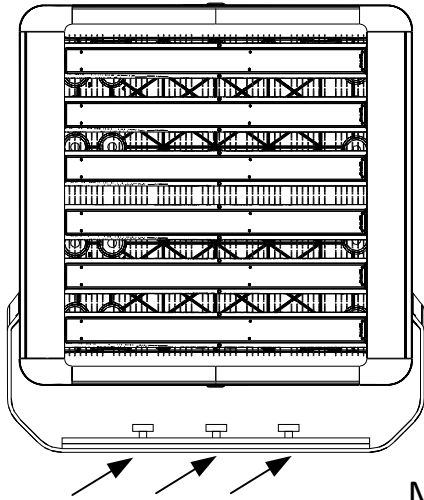
3

Caution:

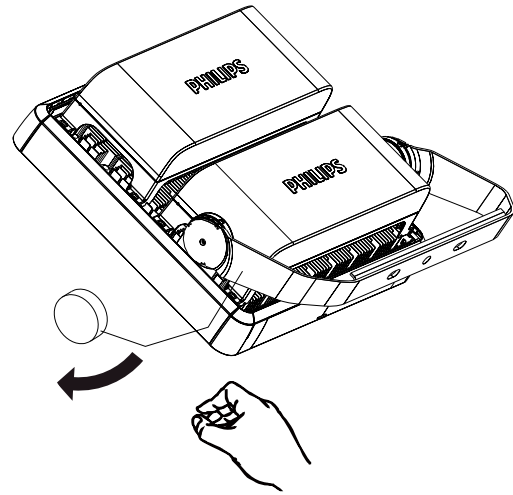


4

Mounting

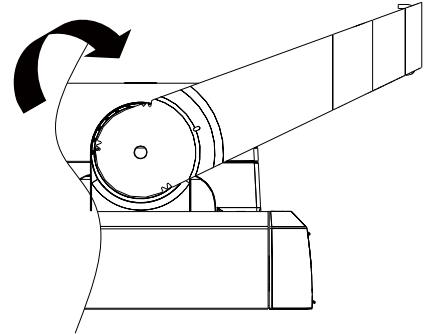
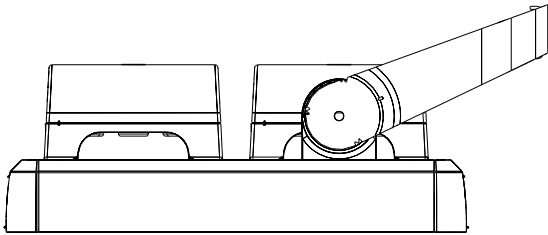


M20 (3X)



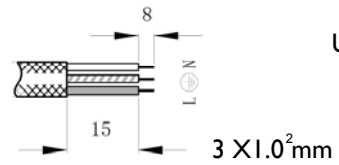
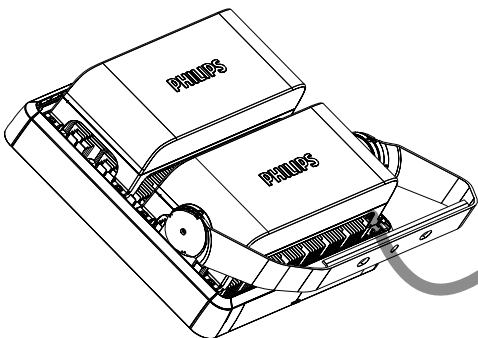
5

Adjust mounting angle



6

Power cord

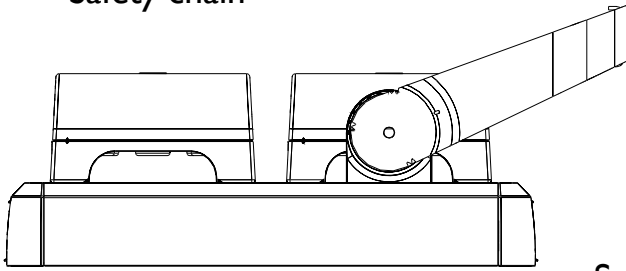


Unit:mm

IP65

Blue: N
Yellow-Green: GND
Brown: L

Safety chain



Safety chain is must for luminaire installation



Caution

1. The Luminaire should be installed by a qualified electrician and wired in accordance with the latest IEEE electrical regulations or the national requirements.
2. The light source contained in this luminaire shall only be replaced by the manufacturer or his service agent or a similar qualified person.
3. Switch off electricity supply (mains) before operation. The connection of power cable on luminaire is type Y.
4. The fitting is electrically insulated, according to IEC60598, classification I. External earthing is therefore required.
5. The luminaire should be replaced immediately if any crack or deterioration