



**PHILIPS**

PrimeSet  
RDL500 / 510



Technical leaflet

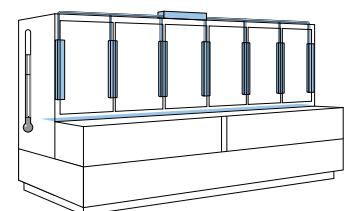
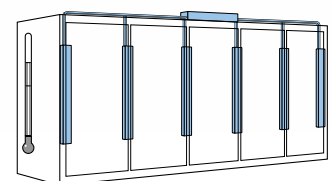
Freezer cabinets

# Lighting food. Brightening faces.

Philips LED lighting for refrigeration cases has a proven track record as a sustainable and energy-efficient way to create an enjoyable shopping experience for customers – while at the same time supporting retailers' brand values.

Thanks to their new, slim design, the PrimeSet RDL500 / 510 modules can be aesthetically integrated in the door frames of vertical door freezers.

The modules' unique integrated optical system directs the light in such a way that the products on display are presented uniformly, while reducing glare and dark spots.



[www.philips.com/ledrefrigeration](http://www.philips.com/ledrefrigeration)



# Design highlights

- Improved visibility and presentation of the frozen food on display; uniform light distribution throughout the entire cabinet.
- Two light levels.
- Reduced complexity as each module can be center or side lit.
- Aesthetic integration of the modules into door frames, enabling better visibility of the products on display and increased storage space.
- Virtually maintenance-free throughout the lifetime of the cabinets, since the LEDs have a long lifetime of 50,000 hours with excellent lumen maintenance.
- Ideal for integration in mullions of vertical refrigeration cabinets.





“ Ideal for **vertical integration** in millions of vertical refrigeration cabinets.”



## Environment

Significantly improved sustainability due to lower energy consumption, reduced waste and elimination of hazardous substances such as mercury and lead.

## Product features

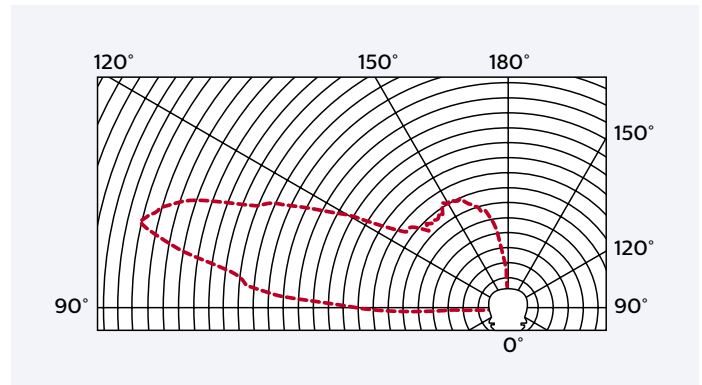
- Ultra slim design with integrated optics.
- Waterproof (IP rating: 65).
- Two typical lighting levels of 1600 lux and 850 lux for excellent illumination of products on the display.
- Each module can be center or side lit by applying a center or side cable.
- Together with the center mounting profile the light distribution will be in two directions. With the side mounting profile the light distribution will be in one direction.
- 5-year Philips warranty for the modules in combination with the Philips LED power driver.

# PrimeSet RDL500 / 510 module

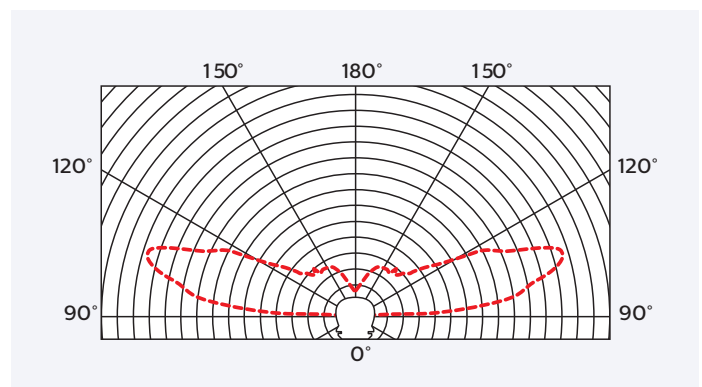
## Specifications

- The rated average life of the module, in combination with a Philips LED power driver, is B50L70 at 50,000 hours (70% lumen maintenance). This rated average life is based on three switching cycles per day.
- Operating temperature (performances) min -30 °C / max +30 °C.
- Storage temperature min -30 °C / max +60 °C.
- Housing color: black.
- Safety Extra Low Voltage (SELV).
- Compliance and approval; ENEC, UL, CE, Product safety class III, RoHS, WEEE, EU directive 2002/95/EC, NSF, CSA, REACH.
- The color consistency of the modules is 5 SDCM.
- Instant start-up with full illumination.
- The rated peak intensity is 430 cd for RDL500/510 Vision and 215 cd for RDL500/510.
- The Rated beam angle is 30°.
- The Power Factor with Philips LED Power driver is > 0.9.

## Light distribution

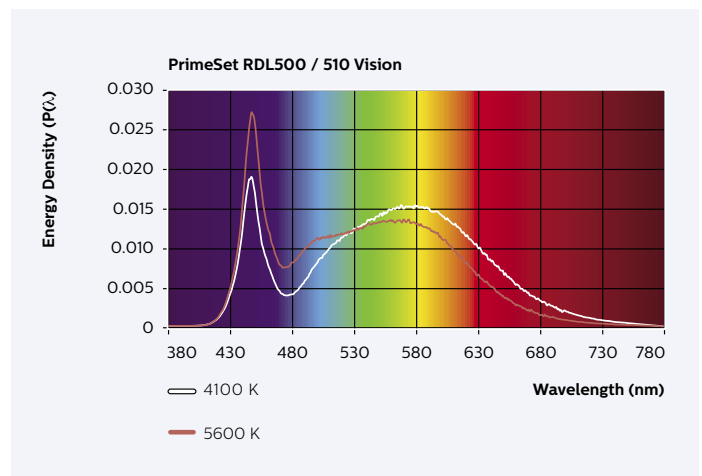
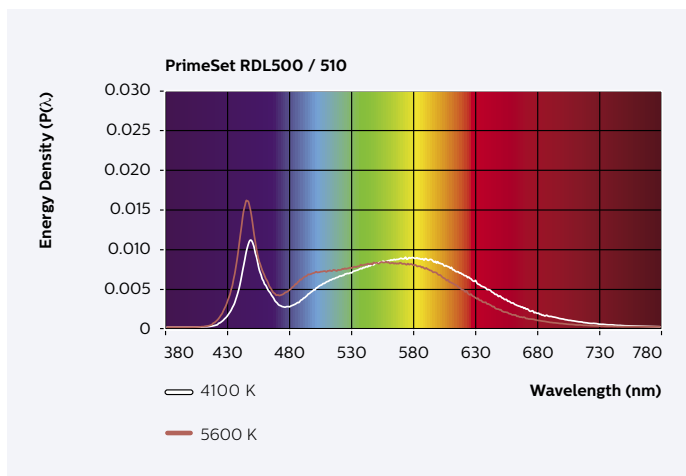


asymmetrical 30° (side)

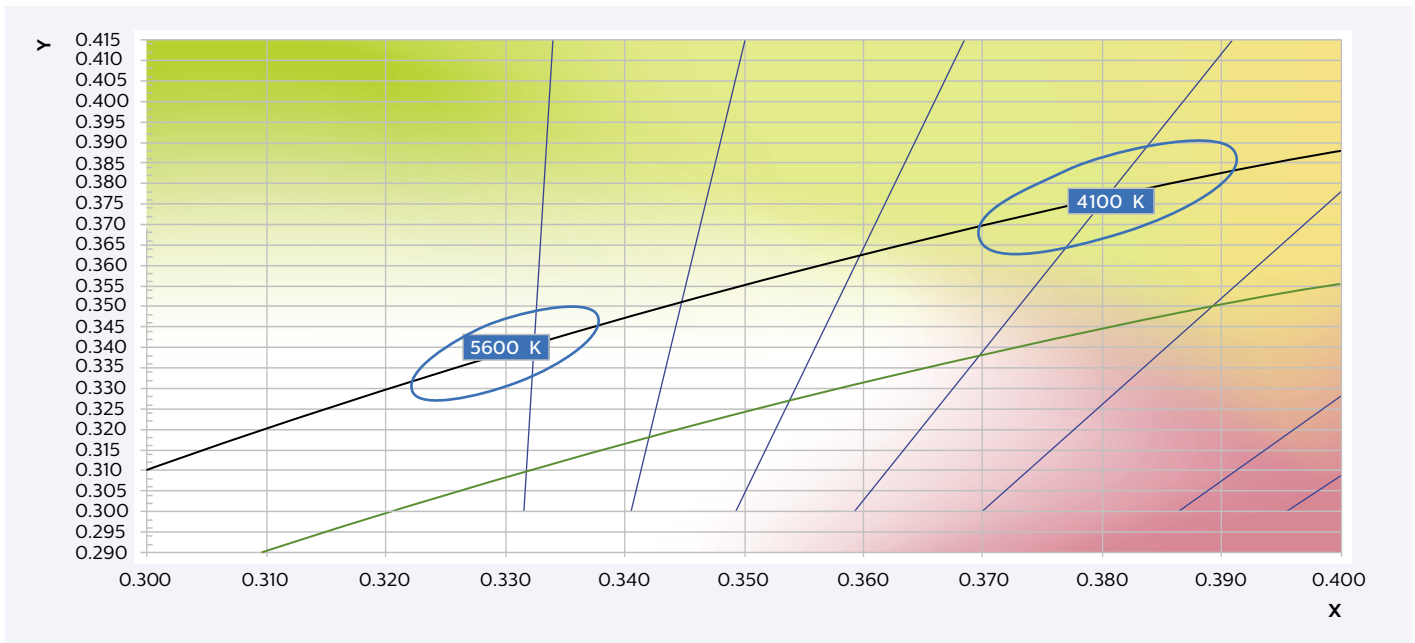


symmetrical 30° both directions (center)

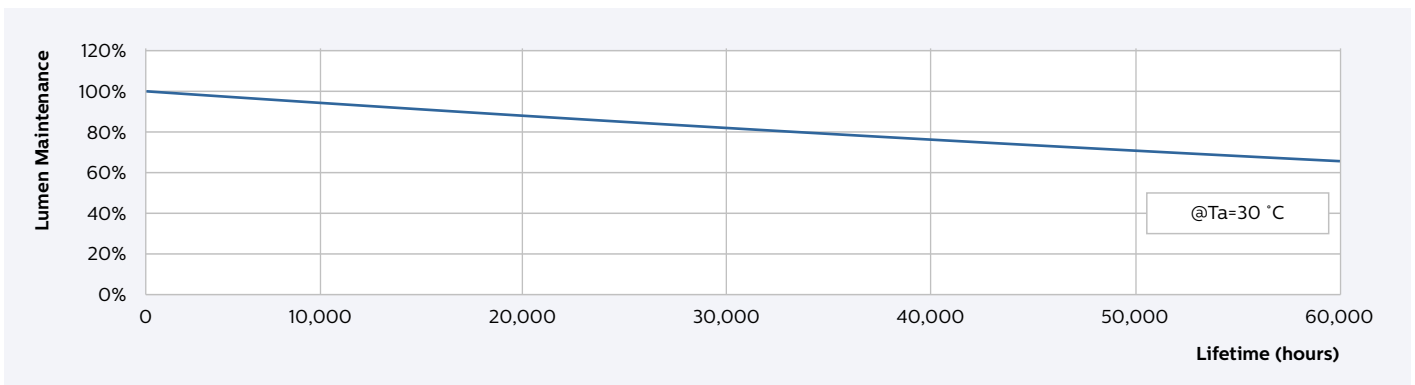
## Spectral power distribution



## Chromaticity coordinates



## Lumen Maintenance



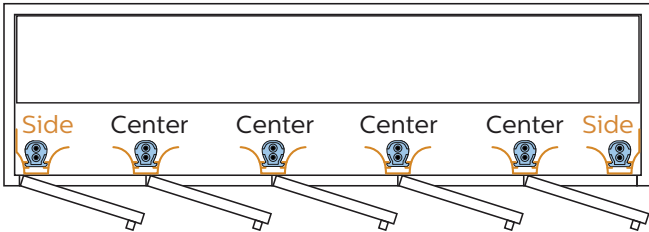
## Technical Specifications

Product type	Light color	Rated power W	Rated luminous flux (lumen) lm	Color Rendering Index CRI	Correlated Color Temperature K
<b>PrimeSet RDL500 / 510 Vision - 1600 lux</b>					
PrimeSet RDL510 Vision 750mm (30") 841 G1	Neutral White	11	1100	85	4100
PrimeSet RDL510 Vision 750mm (30") 856 G1	Cool White	11	1200	85	5600
PrimeSet RDL510 Vision 950mm (37") 841 G1	Neutral White	14	1400	85	4100
PrimeSet RDL510 Vision 950mm (37") 856 G1	Cool White	14	1500	85	5600
PrimeSet RDL500 Vision 1500mm (59") 841 G1	Neutral White	24	2200	85	4100
PrimeSet RDL500 Vision 1500mm (59") 856 G1	Cool White	24	2400	85	5600
PrimeSet RDL500 Vision 1700mm (67") 841 G1	Neutral White	27	2500	85	4100
PrimeSet RDL500 Vision 1700mm (67") 856 G1	Cool White	27	2700	85	5600
<b>PrimeSet RDL500 / 510 - 850 lux</b>					
PrimeSet RDL500 1200mm (47") 841 G1	Neutral White	10	900	85	4100
PrimeSet RDL500 1200mm (47") 856 G1	Cool White	10	1000	85	5600
PrimeSet RDL500 1500mm (59") 841 G1	Neutral White	12	1200	85	4100
PrimeSet RDL500 1500mm (59") 856 G1	Cool White	12	1300	85	5600
PrimeSet RDL500 1700mm (67") 841 G1	Neutral White	13	1300	85	4100
PrimeSet RDL500 1700mm (67") 856 G1	Cool White	13	1400	85	5600

Note: @ -20 °C

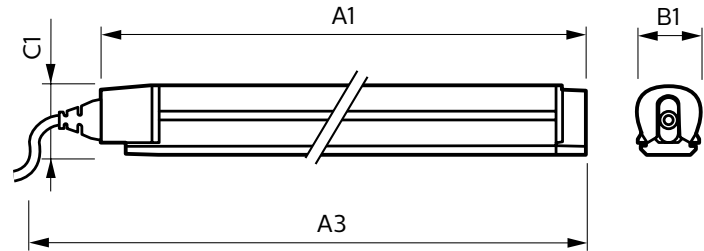
### PrimeSet RDL500 / 510 module

Example of RDL modules with center and side mounting profiles placed in a five door freezer (top view).



### Dimensions PrimeSet RDL500 / 510 module

Type	A1	A3	B1	C1
PrimeSet RDL510 750mm (30")	748	770	20.5	23
PrimeSet RDL510 950mm (37")	948	970	20.5	23
PrimeSet RDL500 1200mm (47")	1198	1220	20.5	23
PrimeSet RDL500 1500mm (59")	1498	1520	20.5	23
PrimeSet RDL500 1700mm (67")	1698	1720	20.5	23



## LED power driver

### Power supply: Philips LED power driver

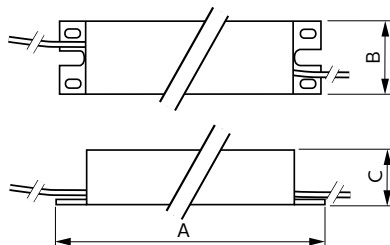
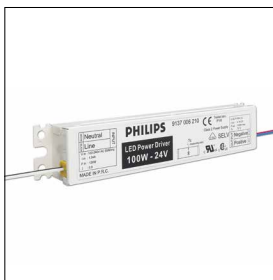
Philips Affinium LED display modules are only suitable for connection to a circuit from a class 2 power source with a limited energy supply. We have developed a LED power driver which is ideal for powering the PrimeSet modules.

To allow for variance in the installation, we recommend you do not load the power driver beyond 90% (20 W, 80 W and 100 W driver) of its rated maximum power. Please refer to the wiring diagram in the installation guide for more details.

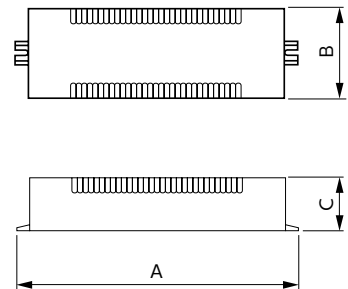
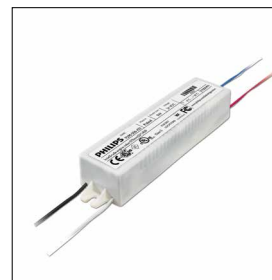


### Dimensions LED power driver

Type	A	B	C
Constant Voltage Outdoor LED driver 100W 24V	241	43	30
Constant Voltage Outdoor LED driver 80W 24V	241	43	30
Constant Voltage Outdoor LED driver 20W 24V	150	36	27



Xitanium Constant Voltage Outdoor driver 80 W and 100 W



Xitanium Constant Voltage Outdoor driver 20 W

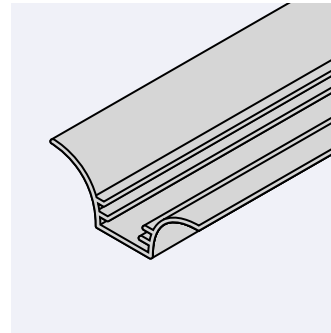
# Accessories

## Mounting profiles with options for glare shielding

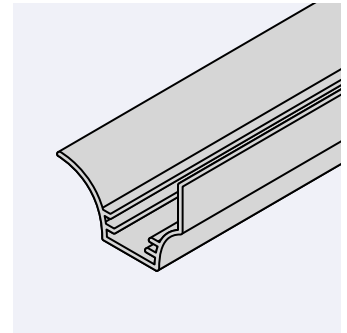
Our mounting profiles make it easy to install the modules. Thanks to the 'click-in' feature, the installation time is shortened considerably. The glare-free mounting profiles reduce glare to a minimum.

To ensure easy installation we supply mounting profiles that can be used to fix the modules in the mullions. They are available in two versions:

- Glare-free mounting profile for center module
- Glare-free mounting profile for side module



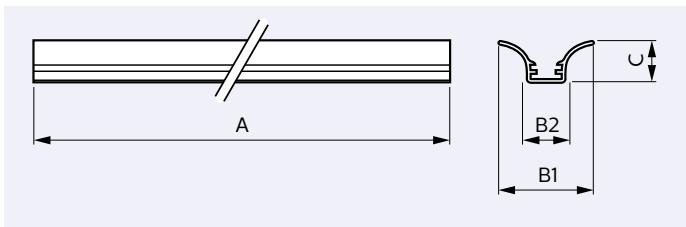
Glare-free mounting profile center



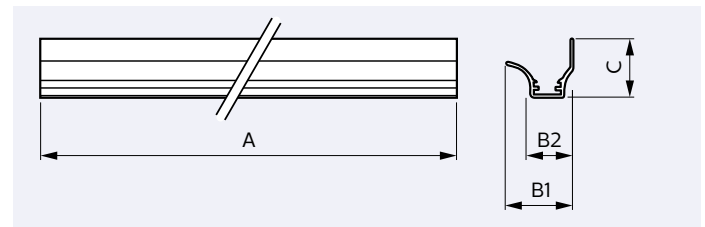
Glare-free mounting profile side

## Dimensions mounting profile

Type	A	B1 Center	B1 Side	B2	C Center	C Side
PrimeSet RDL510 750mm (30")	715	56	46	23	23	40
PrimeSet RDL510 950mm (37")	915	56	46	23	23	40
PrimeSet RDL500 1200mm (47")	1167	56	46	23	23	40
PrimeSet RDL500 1500mm (59")	1468	56	46	23	23	40
PrimeSet RDL500 1700mm (67")	1668	56	46	23	23	40



Glare-free mounting profile center



Glare-free mounting profile side

# Ordering information

## PrimeSet LED modules

Type	Minimum order quantity (per box)	Ordering code
<b>Vision - 1600 lux</b>		
PrimeSet RDL510 Vision 750mm (30") 841 G1	12	9290 009 34506
PrimeSet RDL510 Vision 750mm (30") 856 G1	12	9290 009 34406
PrimeSet RDL510 Vision 950mm (37") 841 G1	12	9290 009 34306
PrimeSet RDL510 Vision 950mm (37") 856 G1	12	9290 009 34206
PrimeSet RDL500 Vision 1500mm (59") 841 G1	12	9290 009 34106
PrimeSet RDL500 Vision 1500mm (59") 856 G1	12	9290 009 34006
PrimeSet RDL500 Vision 1700mm (67") 841 G1	12	9290 009 33906
PrimeSet RDL500 Vision 1700mm (67") 856 G1	12	9290 009 33806
<b>Standard - 850 lux</b>		
PrimeSet RDL500 1200mm (47") 841 G1	12	9290 008 91106
PrimeSet RDL500 1200mm (47") 856 G1	12	9290 008 91006
PrimeSet RDL500 1500mm (59") 841 G1	12	9290 008 90706
PrimeSet RDL500 1500mm (59") 856 G1	12	9290 008 90606
PrimeSet RDL500 1700mm (67") 841 G1	12	9290 008 90306
PrimeSet RDL500 1700mm (67") 856 G1	12	9290 008 90206

## Accessories: Cables

Type	Minimum order quantity (per box)	Ordering code
<b>Cable length - 2.5 meter</b>		
PrimeSet RDL - Centre Cable 2.5m (98") B	24	9290 009 57206
PrimeSet RDL - Side Cable 2.5m (98") B	24	9290 009 57306

## Xitanium Constant Voltage Outdoor LED Power Driver

Type	Minimum order quantity (per box)	Ordering code
Constant Voltage Outdoor LED driver 100W 24V	10	9137 006 21091
Constant Voltage Outdoor LED driver 80W 24V	10	9290 006 53906
Constant Voltage Outdoor LED driver 20W 24V	10	9290 006 54006

## Accessories: Mounting profiles for PrimeSet RDL500 / 510

Type	Minimum order quantity (per box)	Ordering code
<b>750 mm length</b>		
PrimeSet RDL-mount prof CTR 750mm	12	9290 008 94006
PrimeSet RDL-mount prof SD 750mm	12	9290 008 94706
<b>950 mm length</b>		
PrimeSet RDL-mount prof CTR 950mm	12	9290 008 94106
PrimeSet RDL-mount prof SD 950mm	12	9290 008 94806
<b>1200 mm length</b>		
PrimeSet RDL-mount prof CTR 1200mm	12	9290 008 94206
PrimeSet RDL-mount prof SD 1200mm	12	9290 008 94906
<b>1500 mm length</b>		
PrimeSet RDL-mount prof CTR 1500mm	12	9290 008 94306
PrimeSet RDL-mount prof SD 1500mm	12	9290 008 95006
<b>1700 mm length</b>		
PrimeSet RDL-mount prof CTR 1700mm	12	9290 008 94406
PrimeSet RDL-mount prof SD 1700mm	12	9290 008 95106

