

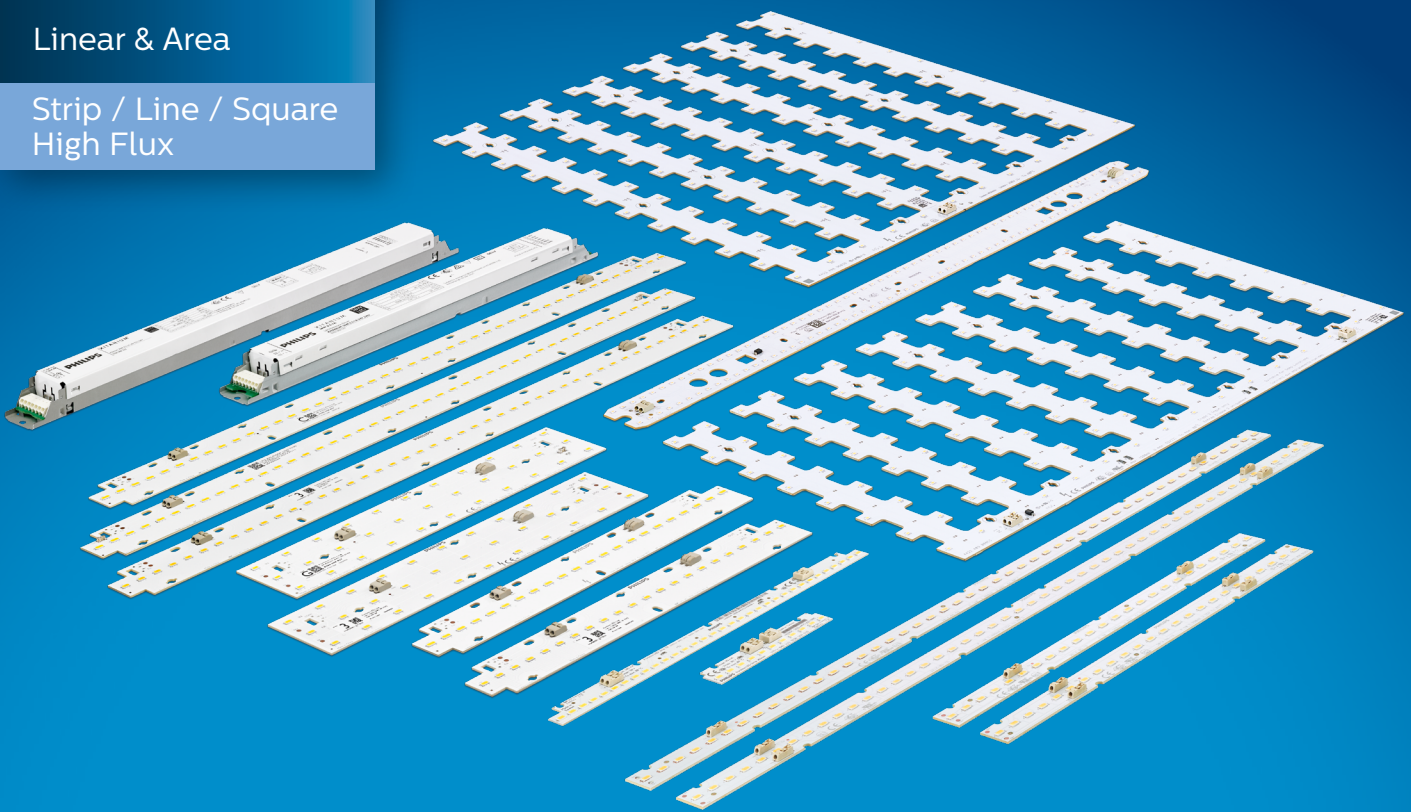
PHILIPS



LED systems

Linear & Area

Strip / Line / Square
High Flux



Design-in Guide

Perfect mix of **design freedom and high energy efficiency**

May 2015

Published versions

12 June – 2013 First version

27 June

10 February – 2014

27 March 2015 – Updated since previous version

14 April

- Added latest LED Linear products
- Added remark that product specific schematics can be found in their datasheet
- Added new hybrid board in section of wiring the Square boards
- Inserted LEDset table
- Refined information on fixation requirements

Contents

Introduction to this guide	5	Mechanical design-in	33
How to... Determine which documents contain what information	5	Mechanical fixation and creepage for LED Linear modules	33
Warnings and instructions for HV products	6	Alternative fixation methods	34
When using a non-isolated driver, intended for High Voltage (HV) products	6	Complementary partners for fixation alternatives	36
Warnings and instructions for LV products	7	Optical design-in	37
When using an isolated driver, intended for Low Voltage (LV) products	7	Optics on top of, or near the LED Linear modules	37
Manufacturing phase	7	Reflector design	39
Philips Design-in support	7	Required minimum clearance distance	39
Introduction the Fortimo LED Linear systems	8	Thermal design-in	40
Applications and luminaire classification	8	Introduction	40
How to... Use LED Linear systems in outdoor luminaires	9	Thermal behaviour of Xitanium drivers	40
Commercial naming of the Fortimo LED Linear modules	9	Tc point	40
In this design-in guide	9	How to... Measure Tc at the Tc point	41
Cautions during storage and transportation	10	How to... Tune for anticipated ambient temperature (°C)	41
When storing this product for a long time (more than one week)	10	Influence of thermal resistance of the luminaire	43
Zhaga	11	How to... Calculate Tc after changing the drive current	43
Compose your luminaire with LED Linear	12	Cooling via the luminaire housing or cooling plate	44
How to... Come to your typical LED Linear system	12	Thermal contact	44
How to... Convert to your preferred LED Linear solution	13	Thermal radiation and emissivity coefficient	45
Electrical design-in	14	Tips for small volume and double chamber conditions	45
Reasons why to set your drive current	14	How to... Design for good thermal performance	46
Xitanium Indoor Linear LED drivers	15	Reliability	47
Xitanium driver operating window	15	Impact of thermal cycling on product failure	47
Insulation safety indicated by working voltage	16	Lumen maintenance of the Fortimo LED Linear modules	47
How to... Select an appropriate driver	17	Tips for assembly and installation	50
How to... Configure an LV system	18	Inserting and removing the cables	50
How to... Configure a HV system	19	Binning	51
LED Line 1 ft SQ and LED Square 2500 lm module – HV/LV Hybrid	21	ElectroStatic Discharge (ESD)	52
How to... Mix different models of LED modules	21	How to... Meet the ESD requirement	53
LED Line	21	Servicing and installing luminaires	53
LED Strip	21	Controllability	54
How to... Use different LED module generations	23	Dimming	54
Whole lumen range covered with 3 building blocks	24	Stand-alone Philips systems	54
How to... Tune the luminaire's flux and efficacy	24	Quality, compliance and approval	55
How to... Set the output current via Rset	25	Energy efficiency labelling	55
How to... Program the output current	29	Chemical compatibility	55
How to... Wire - general remarks	29	Compliance and approval marks	56
Cables and wires	29	Ingress Protection – IP rating, humidity and condensation	56
Automatic wiring by robot	30	Photobiological safety	57
Electromagnetic compatibility (EMC)	31	Blue Light Hazard	57
How to... Improve EMI performance	31	System disposal	58
		Relevant Standards	58

Contact details and suggested suppliers	59
Philips Fortimo LED Linear systems	59
Philips PInS ESD support	59
ESD-related material and tool suppliers	59
Further reading suggestions	59
Appendix	60
Appendix A: Fluorecent tube reference table	60
Appendix B: Example wiring schematics	61
Appendix C: Wiring examples for common fluorescent substitutions	64
Disclaimer	68

Introduction to this guide



Philips Fortimo LED Linear system building blocks.

Thank you for choosing the Philips Fortimo LED Linear system. In this guide you will find the information you need to design this system into a luminaire.

This edition covers the complete Philips Fortimo LED Linear family released for Europe, including the Low Voltage (LV) and High Voltage (HV) version. Also included are the Fortimo LED Line High Flux, Fortimo LED Square, which can be wired both as HV and LV system and Fortimo LED Strip. Extensions to the range will be included in future updates of this guide. We advise you to consult our website for the latest up-to-date information. For a full portfolio overview please consult the **Commercial Leaflet**, to be found in the download section on www.philips.com/technology.

Note: LED technology is continuously improving. For the latest updated information, please check www.philips.com/technology.

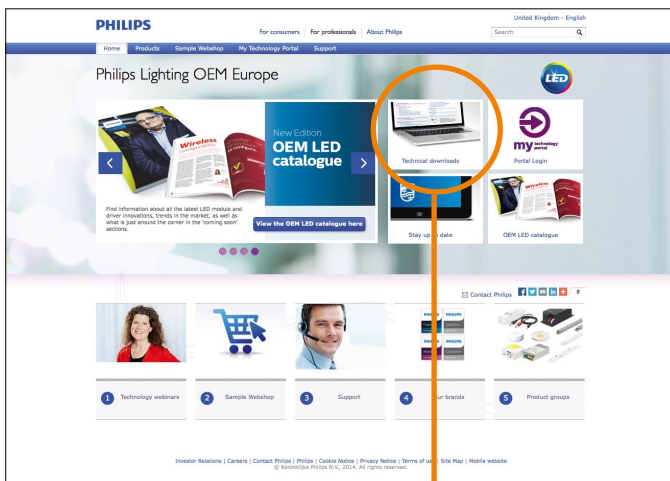
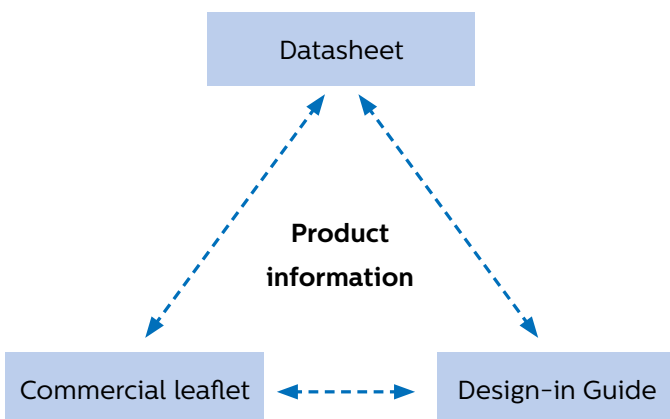
How to... Determine which documents contain what information

In order to provide information in the best possible and consistent way, Philips' philosophy on product documentation is the following.

- Commercial leaflet: product family overview & system combinations.
- Datasheet: product specific specification.
- Design-In Guide: describes how to design-in the products into a system.

These documents can be found in the download section on the OEM website www.philips.com/technology. If you require any further information or support please consult your local Philips office.

Please note that this triangle of information is also available for the drivers separately.



Download section of the OEM web.

Warnings and instructions for HV products

When using a non-isolated driver, intended for High Voltage (HV) products



Warning:

- Avoid touching live parts!
- Avoid touching any bare components on the PCB, e.g. LEDs!
- Do not use damaged LED modules!
- Class I luminaires must be connected to protective earth!

Safety warnings and installation instructions

To be taken into account during design-in and manufacturing.



Design-in phase

- The general IEC recommendations for luminaire design and legal safety regulations (ENEC, CE, ANSI, etc.) are also applicable to Philips Fortimo LED Linear systems. Luminaire manufacturers are advised to conform to the international standards for luminaire design (Class I, IEC 60598-Luminaires).
- Class I luminaires must provide a protective earth!
- The luminaire must be constructed in such a way that the LED module cannot be touched by an end-user, both in off state and when live.
- It is mandatory to design the luminaire in such a way that it can only be opened with special tools (by a qualified person) in order to prevent touching of live parts.
- Do not install a reflector near the LED module without a proper earth connection.
- Do take into account the minimum required creepage and clearance distances.
- Do not apply mains power to the LED module directly.
- Connect all electrical components first before switching on mains.
- The LED module shall be powered by a LED controlgear IEC/EN 61347-2-13 certified.
- Avoid possibilities of water or dirt ingress: use appropriate IP-rating of luminaire with regard to specific conditions of application.

Manufacturing phase

- Do not use damaged or defective LED modules, including damaged connectors or PCB.
- Do not drop the LED module or let any object fall onto the LED module because this may damage the PCB or LEDs. If the LED module has been dropped or an object has fallen onto the LED module, do not use it, even if there are no visible defects or signs of damage.
- Low voltage (LV) products must not be used in combination with a non-isolated driver.
- Connect all electrical components first before switching on mains.
- The LED module shall be powered by a LED controlgear IEC/EN 61347-2-13 certified.

Installation and service for luminaires incorporating the Fortimo LED Linear system

- Do not service the luminaire when the mains voltage is connected; this includes connecting or disconnecting the LED module cables.
- The installer must connect the luminaire, if incorporating the Fortimo LED Linear system, to protective earth!
- Do not use damaged products.

For optimal reliability of the LED module we advise not to apply an AC electric strength test to the luminaire as this might damage the LEDs. It is recommended instead to apply an insulation resistance measurement at 500 VDC (noted as alternative test in IEC/EN 60598-1 annex Q).

Philips Design-in support

Is available; please contact your Philips sales representative.

Warnings and instructions for LV products

When using an isolated driver, intended for Low Voltage (LV) products



Warning:

- Avoid touching live parts!
- Avoid touching any bare components on the PCB, e.g. LEDs!
- Do not use damaged LED modules!

Safety warnings and installation instructions

To be taken into account during design-in and manufacturing.



Design-in phase

- It is mandatory to use a UL class 2 / IEC compliant SELV driver in combination with the LED Linear LV products.
- The general IEC and UL recommendations for luminaire design and legal safety regulations (ENEC, CE, ANSI, etc.) are also applicable to Philips Fortimo LED Linear systems. Luminaire manufacturers are advised to conform to the international standards for luminaire design (e.g. UL1598, IEC 60598-Luminaires).
- It is advised to construct the luminaire in such a way that the LED module cannot be touched by an end-user, both in off state and when live.
- Do take into account the minimum required creepage and clearance distances.
- Do not apply mains power to the LED module directly.
- Connect all electrical components first before switching on mains.
- The LED module shall be powered by a LED controlgear IEC/EN 61347-2-13 certified.
- Avoid possibilities of water and dust ingress: use appropriate IP-rating of luminaire with regard to specific conditions of application.

Manufacturing phase

- Do not use damaged or defective LED modules, including damaged connectors or PCB.
- Do not drop the LED module or let any object fall onto the LED module because this may damage the PCB or LEDs and affect proper functioning of the product.
- Connect all electrical components first before switching on mains.
- The LED module shall be powered by a LED controlgear IEC/EN 61347-2-13 certified.

Installation and service for luminaires incorporating the Fortimo LED Linear system

- Do not service the luminaire when the mains voltage is connected; this includes connecting or disconnecting the LED module cables.
- Do not use damaged products.

For optimal reliability of the LED module we advise not to apply an AC electric strength test to the luminaire as this might damage the LEDs. It is recommended instead to apply an insulation resistance measurement at 500 VDC (noted as alternative test in IEC/EN 60598-1 annex Q).

Philips Design-in support

Is available; please contact your Philips sales representative.

Introduction the Fortimo LED Linear systems



Philips Fortimo LED Strip 650 lm/ft
LV (102 mm & 1 ft).



Philips Fortimo LED Strip 1100 lm/ft (LV & HV, 1 ft & 2 ft)



Philips Fortimo LED Line 1R (1 ft).



Philips Fortimo LED Line 2R (2 ft).



Philips Fortimo LED Line 3R (1 ft).



Philips Fortimo LED Square 2500 lm



Philips Fortimo LED Square 5000 lm

Applications and luminaire classification

The Philips Fortimo LED Linear system is the replacement for linear fluorescent lamps in general lighting. The system features a high level of energy efficiency, which surpasses T5 systems, enabling the lowest total cost of ownership (TCO). It offers high-quality white light with excellent color rendering and color consistency and, as part of the Fortimo future-proof promise, it comes with a 5-year Philips warranty.

The Fortimo LED Linear system consists of a range of modules, the Fortimo LED Lines and Strips on one hand, and the Xitanium drivers on the other. An overview is presented in the Commercial Leaflet of the Linear modules and for the drivers in the download section on www.philips.com/technology. Fortimo LED Linear comes in a HV version, with best efficiency at lowest price, and LV version, with ease of design-in. Both ranges feature a variety of different dimensions, lumen packages and color temperatures. In this guide you will find the specific information required to develop a luminaire based on Philips Fortimo LED Linear system. Product specific data can be found in the associated datasheet on www.philips.com/technology.

The Philips Fortimo LED Linear HV system contains high-voltage solutions that comply with European Class I requirements for indoor lighting applications. Other applications or luminaires can be explored by OEMs as long as this does not create a design conflict. European luminaire standards, like IEC/EN 60598, must be complied with.

In this guide you will find the specific information required to develop a luminaire based on the Philips Fortimo LED Linear system for both HV and LV products.



How to... Use LED Linear systems in outdoor luminaires

Neither the Fortimo LED modules nor the Xitanium driver have an IP classification >IP20. Furthermore for outdoor luminaires, compliance to a higher mains surge standard is required than the indoor standard LED module is tested against. Not complying with the outdoor standard will lead to damaged LEDs. If deciding to use these products in a luminaire for outdoor applications the OEM will be responsible for ensuring proper IP protection, adequate mains surge protection and approbation of the luminaire. Please consult Philips if you wish to deviate from the design rules described in this guide (see last page for contact details).

Commercial naming of the Fortimo LED Linear modules

The names of Fortimo LED Linear are defined as shown in underneath example:

Fortimo LED Line 1 ft 650 lm 840 3R HV2

Fortimo : our concept name for efficient, clear and reliable lighting

LED : the light source used

Line : linear module (Line, SQ or Strip)

1ft : length of LED module

650 lm : 650 lumen output

840 : 8denotes a color rendering index of 80 (CRI divided by 10) 40 stands for a CCT of 4000 K (CCT divided by 100)

3R : indicates the number of LED rows on a LED Line, in this case 3

HV : High Voltage: indication of compliance with European class I requirements

3 : Generation 3

In this design-in guide

In this design-in guide you will find all necessary guidelines to configure the Fortimo LED Linear system to your needs. The Fortimo LED Linear range is designed to enable all types of luminaires in general lighting that were traditionally equipped with linear fluorescent tubes. Since June 2013 the Fortimo LED Linear range is capable of truly replacing all those fluorescent luminaires, from a recessed 600x600 office luminaire with 4x14 W T5 to a trunking luminaires with 2x80 W T8, from narrow design profiles to waterproof luminaires.

The range exists of

- Fortimo LED Strip → focus on narrow design light solutions.
- Fortimo LED Line → focus on mainstream fluorescent replacement.
- Fortimo LED Line High Flux → focus on higher lumen packages.
- Fortimo LED Line Square → focus on surface office luminaire, e.g. 600x600.

On top of this broad range in standard settings and building blocks, the Fortimo LED Linear portfolio provides the luminaire manufacturer with a high level of flexibility to differentiate a luminaire, to design a specific luminaire performance, or to change settings of a luminaire in the factory, while using the same components.

Finally, this flexibility is done with only fifteen Xitanium drivers and eleven types of modules. The dozen different modules designs are available in 3000 K and 4000 K and enable approximately 500 configurations, thereby replacing approximately 5000 different fluorescent tubes. This limited number of components gives an enormous logistical benefit in this rapidly changing and growing LED industry.

Cautions during storage and transportation

When storing this product for a long time (more than one week)

- Store in a dark place. Do not expose to direct sunlight.
- For Fortimo LED Linear modules: do maintain
 - temperature between -40..+85 °C
 - Relative Humidity (RH) 5..85 %.
- For LED Line Cover 2ft and 4ft soft-diffuse: maintain.
 - temperature between -40..+75 °C
 - RH 5..85 %.

During transportation and storage for a short time

Maintain temperature below 100 °C at normal, non-condensing relative humidity.



Zhaga

Many LED Linear modules are either Zhaga certified or compliant. Please check the associated datasheet of the LED module you are using for Zhaga details on www.philips.com/technology.

Zhaga is an international organization that is enabling the interchangeability of LED light sources made by different manufacturers. The interface specifications, for the products covered in this Design-In Guide designated in Book 7 can now be downloaded from the Zhaga website at www.zhagastandard.org/specifications.

Book 7 covers a variety of rectangular and linear LED modules with different dimensions and with separate electronic control gear that are intended primarily for use in indoor lighting applications. Book 7 modules are typically mounted directly into a luminaire by means of screws.

Compose your luminaire with LED Linear



In this section you will find all of the product information needed to compose a configuration based on the Fortimo LED Linear system.

A LED Linear system typically consist of the following building blocks

- Fortimo LED Linear modules.
- Xitanium Indoor Linear LED Driver.
- Standard installation wire (solid core, not offered by Philips).
- Optionally a resistor to set the output current (not offered by Philips).
- Optionally MultiOne configurator software and hardware interface to program TD drivers (to be purchased separately from Philips).
- Optionally Philips controls, like presence detection and light measuring to allow reduction of energy consumption.



How to... Come to your typical LED Linear system

With below steps we like to provide you with a starting point for designing your Fortimo LED Linear luminaire, either coming from a conventional lighting solution or starting from scratch.

1. Identify your lumen or lumen per length (lm/ft) requirement.
2. Determine if you will design for Class I or Class II/SELV.
3. Select your preferred LED lay-out (how the LEDs are spread over the module) from available portfolio.
4. Select the module type best matching above requirements.
5. Determine the amount of modules to use in your system.
6. Determine the electrical specification of the defined system (Voltage [V], current [A] and power [W]).
7. Find your best matching driver (power window, controllability).
8. Set or program the drive current on the driver.

The upcoming sections will help you in more detail to understand how to come to the required answers on above steps.

T8	650 and 1000 lm/ft
T5 HE	700 lm/ft
T5 HO	1000 and 1300 lm/ft



LED Linear 650, 1100, 2000 lm/ft

Relation between fluorescent lumen and LED Linear lumen.

Why replacing fluorescent by smart LED building blocks

Instead of replacing hundreds of unique ballast-fluorescent tube combinations, as the fluorescent market is used to for decades Philips has chosen in the LED approach to use smart building blocks.

These are the Fortimo LED Linear modules in combination with the Xitanium Window drivers – strong in flexibility.

Characteristics of these building blocks are

- Lengths mimic fluorescent lamps (1 ft & 2 ft blocks).
- Driver dimensions mimic conventional ballasts.
- Various LED lay-outs enabling glare and beam control.
- Lumen-ranges cover fluorescent lumen packages.

By analyzing the mainstream fluorescent lumen packages (amount of lumen per unit length [lm/ft]) three main values can be noted as can be seen in the table on the left; 650, 1100 and 2000 lm/ft. For reference please see table in Appendix A.

However, with the ability to select and set the drive current on the LED driver you are able to select your light output (lumen) different than the default. This degree of freedom and flexibility we call tuning and will be explained in a later section.

How to... Convert to your preferred LED Linear solution

This section is to help you find your preferred LED Linear system solution, starting from your familiar fluorescent system. Please find conversion examples in Appendix B, at the end of this document.

	Fluorescent light situation	LED Linear module consideration
1a	T5-HE / TL8	650 lm/ft
1b	T5-HO	1100 lm/ft
1c	PL-L	2000 lm/ft
2a	Open luminaire	LV system (ease of design-in)
2b	Closed luminaire	HV system (best TCO)
3a	Beam shaping	Narrow LED lay-out
3b	Glare & Luminance control	Wide LED lay-out

Conversion help from fluorescent situation to LED Linear system.

Electrical design-in



In this section you will find all of the electrical design-in information needed to design your configuration based on the Fortimo LED Linear system.

Short introduction to operating LEDs

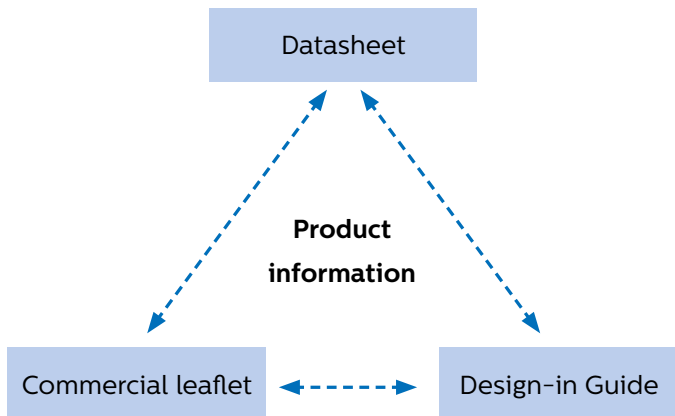
The LED is a semi-conductor device which, when an electrical current (Amperes) flows through it, emits light. The current cannot flow without a Voltage over the LED, called the forward Voltage (V_f). **Forward Voltage** (V_f) is the force to open the gate, allowing the current to flow through the LED. **Drive current** (I_{drive}) is transformed into light by the LED. The amount of light (luminous flux [lm]) is proportional to the amount of current.

Reasons why to set your drive current

With LED as a light source more flexibility in your luminaire design is enabled with respect to conventional light like fluorescent. We would like to explain to you why you would want to determine and set your drive current through the LEDs.

Each LED module needs an electrical current to be able to emit light. In fact, the amount of light – flux [lm] – is proportional to the electrical current flowing through the LEDs.

1. For starters, any LED module needs its specific drive current to emit a given amount of light (lm).
2. With a generation update, lumen per Watt (lm/W) will improve, hence the required current to achieve its luminous flux (lm) will decrease resulting in a lower required drive current.
3. Opposite to lamps, LED modules allow composition of light lines into a system, comprising from one up to many LED modules in that system. Different combinations require different currents and Voltages.
4. Changing the drive current through to system (hence its LEDs) will enable you to tune to a desired light output other than the nominal flux specified at the nominal drive current.



Xitanium Indoor Linear LED drivers

For the drivers, the same documentation philosophy holds as for the LED modules, meaning that also three documents make up the full information set of the drivers.

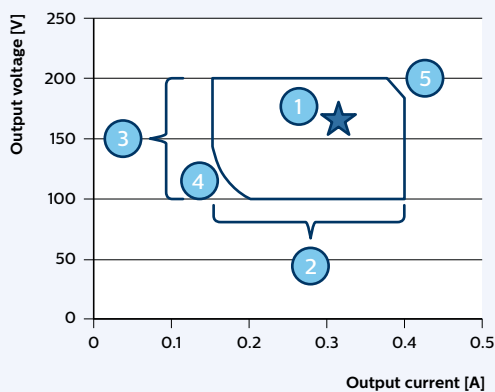
For detailed info, please refer to the Commercial Leaflet of the Xitanium Indoor drivers, the Design-In Guide for Xitanium Indoor Linear LED drivers and the associated driver's datasheet on www.philips.com/technology.

Xitanium driver operating window

LED technology is rapidly evolving. Using more efficient LEDs in a next generation means the same light output can be achieved with less power, hence lower drive currents. At the same time, LEDs can be driven at different current levels based on the application requirement. Typically, LED drivers are available in discrete current levels e.g. 350 mA, 500 mA or 700 mA. It is often necessary to replace a driver when more efficient LEDs or different LED modules become available.

One of the key features of the Xitanium LED drivers is the adjustable output current (AOC), offering flexibility, differentiation for the OEM and future-proof luminaire design. The Xitanium drivers can operate in a so called "operating window". This power window is defined by the maximum and minimum voltage (V), current (A) and power (W) that the driver can handle. An example of an operating window is shown on the left. The area indicates the possible current /voltage combinations. The current you select will depend on the type and manufacturer of the LEDs, the specific LED configuration of the PCB design and the desired output (lm) per LED.

The voltage required is the sum of the LEDs used (total Vf string). Within the driver window's range the driver will adapt to the Voltage requirement. Both the operating window and default current setting of every driver can be found in the datasheets in the download section on www.philips.com/technology.



Example of a Driver Operating Window

1. Required set point for the LED solution.
2. Current can be set to needs within range.
3. Driver adapts to required voltage within range.
4. Driver minimum power limit to guard driver performance.
5. Driver maximum power limit to guard driver performance.

Note: Power (W) = Voltage (V) x Current (A).

Note: by means of dimming it is possible to go below the minimum value of the specified output current.

Single channel driver

Currently all the Xitanium Indoor Linear LED drivers are single channel drivers. This means for drivers with a double “+” and “-“ output, that these outputs are in parallel inside the driver allowing easy connection of parallel LED chains.

System configurations with LED Linear

As the default current of the drivers does not necessarily match your system drive current requirement, please be sure to set and check the current on the driver, e.g. by means of current measurement. When configuring the system with the Philips driver and Philips LED modules, the selected driver operating point needs to be within the driver operating window. In case of questions, contact your local Philips representative or the Philips Design-In Team.

Setting the driver output current

The output current of these drivers can be set in two ways.

1. By connecting a specific resistor value to the driver’s Rset input.
2. TD driver versions can be programmed via the MultiOne interface in order to set the desired current (www.philips.com/multione).

For more information on programming these drivers please check the Design-In Guide of Xitanium Indoor Linear LED drivers in the download section on www.philips.com/technology.

How to determine what value the output current should be set at will be explained in the upcoming sections.

Insulation safety indicated by working voltage

The working voltage is the highest voltage that may occur across any insulation of the module without compromising the safety of the module. Any driver with an open load/ circuit voltage below the working voltage of the module can be safely used in combination with the module.

* **Note:** when connecting Philips LED modules to the driver, the type of LED module (**LV** or **HV**) determines this requirement. Hybrid LED modules (HV/LV in the name) can be used on both type of drivers, indicated in **Commercial Leaflet**, to be found in the download section of www.philips.com/technology.

****Note:** Philips LED Linear standard system configurations, driven at nominal current, are stated in the **Commercial Leaflet**, to be found in the download section of www.philips.com/technology.

Note: for a HV scenario that allows a 2 chain parallel solution, you are likely to find with steps described a lower rated driver power (e.g. 75 W for 1 chain versus 36 W for 2 chain solution).

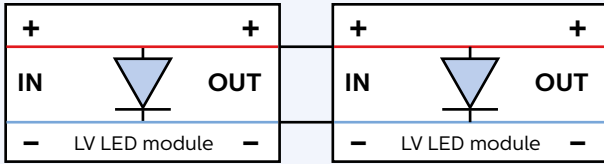
$$\text{Power [W]} = \text{Voltage [V]} \times \text{Current [A]}$$

How to... Select an appropriate driver

Depending on your requirements several drivers can be found as a solution for you. The following steps can help selecting the preferred driver.

For a full overview of available driver models, please refer to the **commercial leaflet Xitanium indoor linear LED drivers**, to be found in the download section of www.philips.com/technology, as are the datasheets associated with the drivers you intend to use.

1. Determine your required drive current (I_{drive}) and voltage (V_f).
2. Calculate required power via:
 $P_{\text{drive}} \text{ (W)} = V_f \text{ (V)} \times I_{\text{drive}} \text{ (A)}$.
3. Determine which type* of driver you do need; Isolated (LV system, Class II/SELV) or Non-isolated (HV system, Class I).
Collect the associated datasheets from the website.
4. Does required current fit current range of driver?
- $I_{\text{driver minimum}} \leq I_{\text{drive}} \leq I_{\text{driver maximum}}$?
5. Does required voltage fit voltage range of driver?
- $V_{\text{driver minimum}} \leq V_f \leq V_{\text{driver maximum}}$?
6. Does required power fit power range of driver?
- $P_{\text{driver minimum}} \leq P_{\text{drive}} \leq P_{\text{driver maximum}}$?
7. Choose your type** of dimming (TD/Dali, 1-10V or non-dimmable).



Schematic representation of the wiring of 2 connected LV LED modules in an LV system, not needing a Return-End cable

$$I_{drive} = I_{nom} [A] \times \# \text{ modules}$$

Required drive current **equals** nominal current of one LED module **times** number of LED modules.

$$V_{drive} = V_f [V]$$

Required drive voltage **equals** forward voltage of one LED module.

How to... Configure an LV system

LV systems typically use LV LED modules or Hybrid LED modules suitable for LV usage, connected to an isolated driver. LV products make a parallel system; adding a LED module requires a higher current.

1. Determine the operating current for the desired flux per LED module, using the datasheet. Make sure the operating current does not exceed the specified value for lifetime.
2. Drive current from the driver is the sum of the current required per LED module.
3. Check whether the resulting total current is within the driver's current range. If the current is too low, you can decide to select a driver with a lower output power. If the current is too high for the selected driver, a driver with a higher output power may provide a solution.
4. Connecting too many LV LED modules in a single chain may lead to flux imbalance. Check the advised maximum number of LED modules per chain in the associated LED module datasheet. If the number of LED modules in your system exceeds the specified maximum value it is advised to create a second chain.

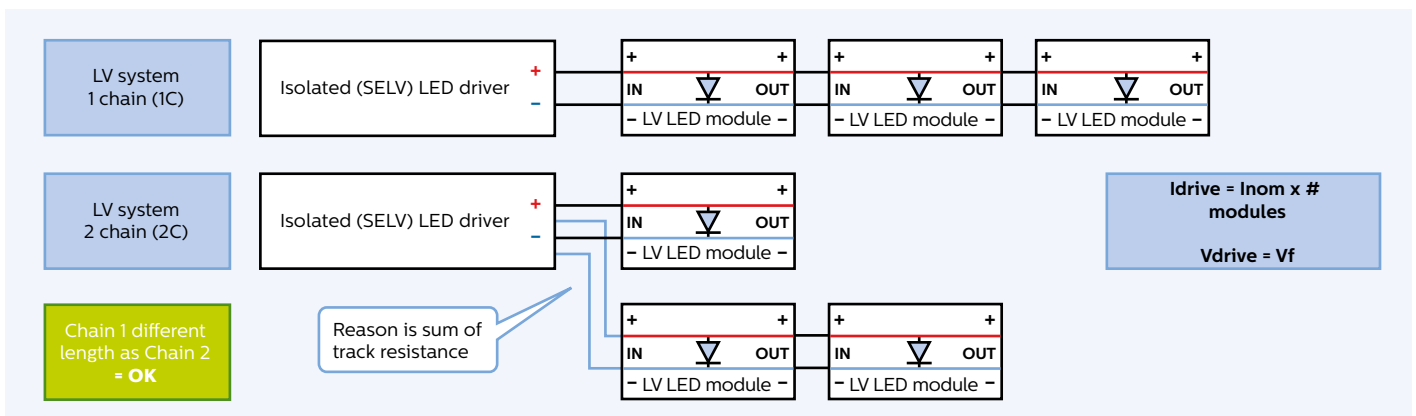
Note: That the number of LED modules per chain does not have to be the same for all chains, since all LED modules are electrically connected in parallel.

Note: For your convenience isolated drivers (LV system) comprise a duplicate – parallel – output, having 2x “+” and 2x “-” in parallel at the driver output. This means for the 2 chain lay-out the second chain can be connected either to the “+” and “-” of the first chain, or connected to the second set “+” and “-” of the driver.

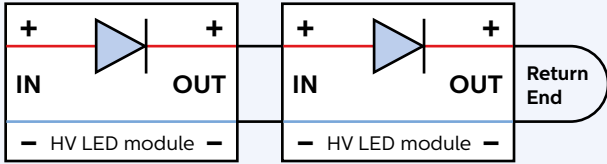
Note: LV products do not have to be terminated with a Return-End connection.

Most isolated drivers enable the connection of two chains of LED modules.

Please find for the LED Linear product that you are using the wiring schematic at the end of each datasheet. Datasheets can be downloaded in the product download section from www.philips.com/technology.



For your convenience isolated drivers (LV system) comprise a duplicate output, having 2x “+” and 2x “-” in parallel at the driver output. This means for the 2 chain lay-out the second chain can be connected either to the “+” and “-” of the first chain, or connected to the second set “+” and “-” of the driver.



Schematic representation of the wiring of 2 connected HV LED modules, including the Return-End cable.

$$I_{drive} = I_{nom} \text{ [mA]}$$

Required drive current nominal current of one LED module.

$$V_{drive} = V_f \text{ [V]} \times \# \text{ modules}$$

Required drive voltage equals forward voltage of one LED module times number of LED modules.

How to... Configure a HV system

HV systems typically use HV LED modules or Hybrid LED modules suitable for HV usage, connected to a non-isolated driver. HV products make a series system; adding a LED module requires a higher voltage.

1. Determine the operating current for the desired flux per LED module, using the datasheet. Make sure the operating current does not exceed the specified value for lifetime.
2. Check whether the operating current is within the driver's current range. If the current is too low, you can explore to connect two chains of LED modules in parallel; this requires a doubling of the driver current.

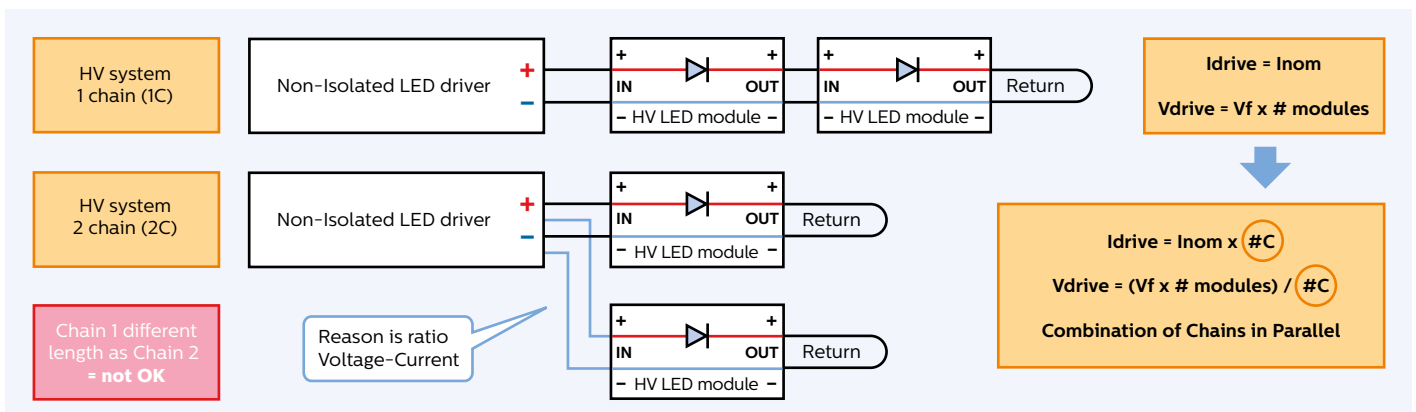
Note: each chain requires an equal amount of LED modules.

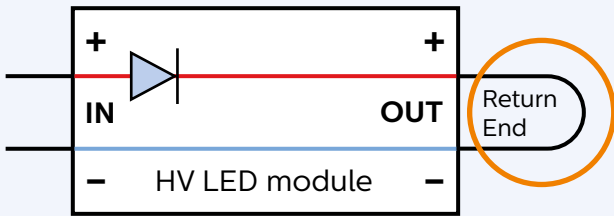
3. Check the total operating voltage needed. This is done by multiplying the number of LED modules per chain and the nominal LED module voltage. If the resulting voltage is too low for the selected driver, you can choose a driver with a lower output power. If the voltage is too high for the selected driver, a driver with a higher output power may provide a solution.

Note: For your convenience newly introduced non-isolated drivers (HV system) will comprise a duplicate output, having 2x "+" and 2x "-" in parallel at the driver output. This means for the 2 chain lay-out the second chain can be connected either to the "+" and "-" of the first chain, or connected to the second set "+" and "-" of the driver.

The non-isolated driver window is by design wide in both voltage and current because of a different nominal current and/or voltage operating point per LED module type, leading to many different voltage-current spec points. This allows in several cases to explore the use of Chains put in parallel. Note however these chains need to be of equal length (electrical load).

Please find for the LED Linear product that you are using the wiring schematic at the end of each datasheet. Datasheets can be downloaded in the product download section from www.philips.com/technology.





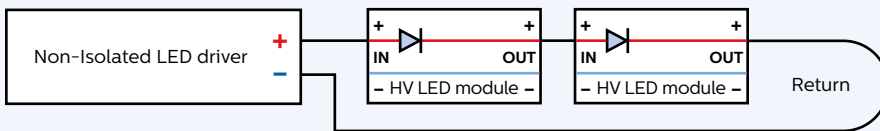
Schematic representation of the Return-End cable Mounted on a double pole connector.

Return-end connection (HV product only)

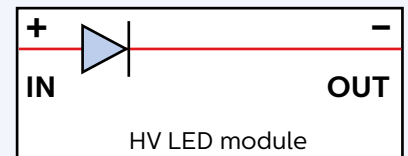
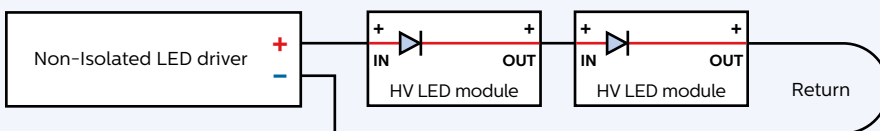
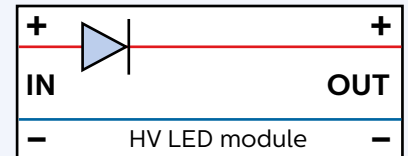
The electric circuit of a LED Linear HV product with double pole connectors (“+” and “-”) on both IN and OUT is designed in such a way that multiple LED modules can be connected in series. This requires the ‘OUT’ connector of the last LED module to be short-circuited using a return-end connection. In case a multiple-chain lay-out is used, every chain has to be terminated with a return-end connection. HV LED modules with only single pole connectors do not use the return-end loop.

Alternative for Return-end connection (HV product only)

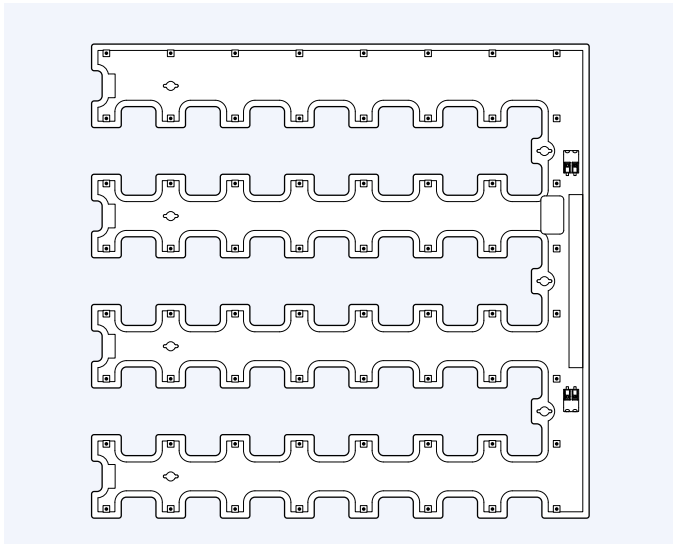
As the return path is consisting of a conductor only (wire) one could consider the alternative wiring depicted below. This connection is equal to HV LED modules with only single pole connectors.



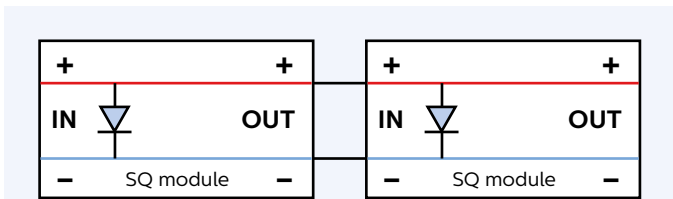
Schematic representation of a LED module with double pole connectors, single wired.



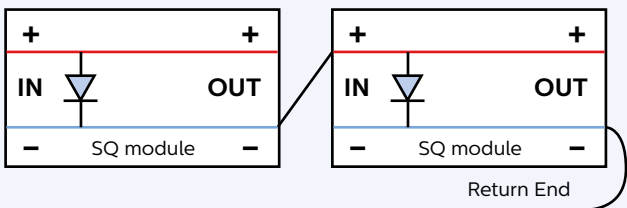
Schematic representation of a LED module with single pole connector.



LED Line 1ft SQ module.



Wiring schematic of 2 pieces SQ LED modules in LV configuration, not needing a Return-End wire, requiring a higher drive current for each extra LED module connected.



Wiring schematic of 2 pieces SQ LED modules in HV configuration, needing a Return-End wire, requiring a higher forward voltage for each extra LED module connected.

Examples of LED modules that can be mixed

LED Line

1R 1100 lm/ft LV (1 ft with 2 ft), or
 1R 1100 lm/ft HV (1 ft with 2 ft), or
 1R 2000 lm/ft HV (1 ft with 2 ft), or

LED Strip

102 mm with 1 ft LV or
 1R 1100 lm/ft LV (1 ft with 2 ft), or
 1R 1100 lm/ft HV (1 ft with 2 ft)

LED Line 1ft SQ and LED Square 2500 lm module – HV/LV Hybrid

HV or LV design rules for the 1ft SQ module?

When connected to a non-isolated driver the electrical design rules for HV products are applicable. On the other hand, when connected to an isolated driver the electrical design rules for LV products are applicable.

Wiring hybrid modules

The LED Line 1ft SQ and LED Square 2500 lm are both – as indicated – a hybrid module, meaning this module can be part of either an LV or HV system. However, the electrical design of the LED module resembles the LV approach. This implies that if both plus and minus are connected to a next hybrid module, this second module is in parallel to the first one. Also no Return End cable has to be installed.

Please find for the LED Square 2500 lm product that you are using the wiring schematic at the end of the datasheet. Datasheets can be downloaded in the product download section from www.philips.com/technology.

LED Line 1ft SQ wiring examples for 600x600 luminaire

In a 600x600 application, 4x 1ft SQ modules can be combined as a quadrant. These modules can be operated on either a Xitanium 36 W or a 75 W driver. The 4 modules then have to be connected according to the wiring schemes in Appendix B, which is different for the 36 W, 75 W, non-isolated or isolated driver. When connected to:

- 75 W non-isolated driver, all 1ft SQ modules have to be connected in series.
- 36 W non-isolated driver, 2 1ft SQ modules have to be put in series (chain of 2 1ft SQ modules) the two chains have to be connected in parallel to the driver.
- 36 W isolated driver, all 4 1ft SQ modules need electrically to be in parallel.

How to determine the required current is explained in previous paragraphs and depends on both the amount of modules and the HV or LV approach.

For wiring example please see Appendix B at the end of this document.

How to... Mix different models of LED modules

Please note that although LED modules of different models can be connected to one another, only modules of the same type (lm/ft & xR & HV/LV) but different length can be mixed. These combinations are also indicated in the **Commercial Leaflet** (www.philips.com/technology) and are considered a released Fortimo LED Linear system. An example below to cover 5 ft length with 1 ft 1100 lm 1R HV and 2 ft 2200 lm 1R HV.

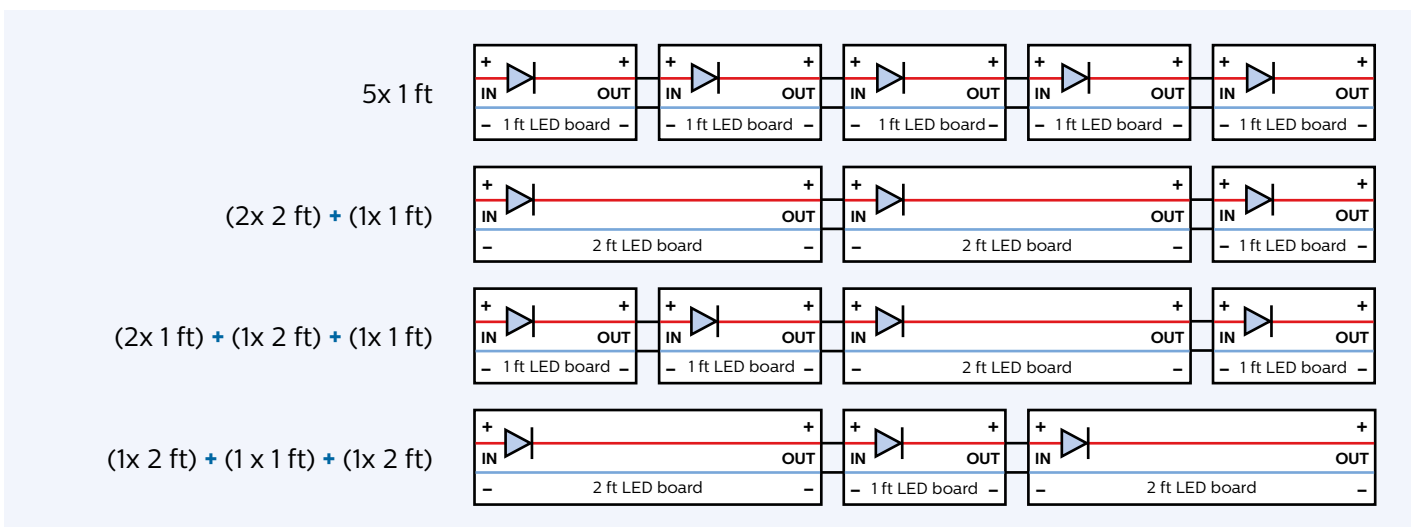
However as indicated above mixing HV and LV type is not allowed because by having a different electrical design the safety requirements cannot be met. Another reason is that the voltage and current requirements differ per type and mixing them can lead to undesired performance differences. If you wish to deviate by mixing other types, please consult you Philips representative.

What value does the drive current need to be then?

Building a chain of LED modules leads to a certain value for the drive current, as explained in the previous section on how to configure a LED system. Building such a chain from different suitable modules does not always lead to a change of that current. To illustrate this please follow the next two examples:

1. HV: the current runs through all modules in the chain, meaning you only need to determine the current through one module, regardless the module's length.
2. LV: as each module has a requirement for the current linked to the amount of LEDs (2 ft has twice the amount of LEDs as the 1 ft) you simply sum up the currents required per LED module, meaning in the drawing below.
 - 5x current for 1 ft, equals.
 - 1x current for 1 ft + 2x current for 2 ft, equals.
 - 3x current for 1 ft + 1x current for 2 ft.

Note: it is strongly advised to use all LED modules from the same bin to prevent flux imbalance. More on binning, see 'Binning' in section 'Tips for assembly and installation'.



$$I_{driver} = N_{1ft} \cdot I_{nom} + N_{102mm} \cdot \frac{I_{nom}}{3}$$

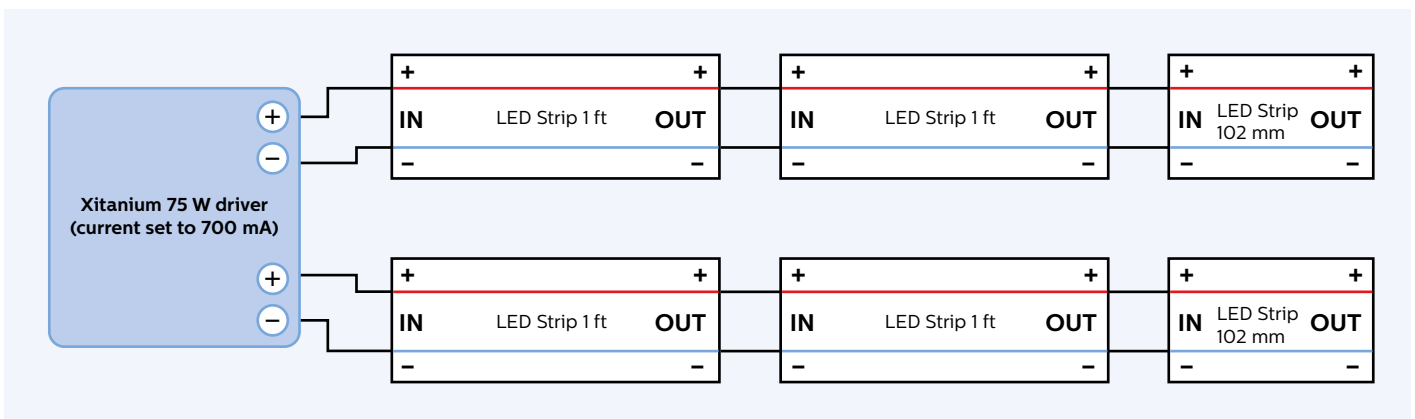
Combining LED Strip LV 1 ft with 102 mm

One can think of applications where it may be desirable to combine LED Strip 1 ft and 102 mm. For example to completely fill a certain luminaire length with LED Strips. The following guidelines must be taken into account.

1. The total driver current needed for 650 lm/ft is calculated as per formula on the left, where N_{1ft} is the number of 1ft LED Strips and Where N_{102mm} is the number of 102 mm LED Strips. I_{nom} is the nominal current (mA) for the LED Strip 1 ft 650 lm. The flux of the 1ft LED Strip in this case will be 650 lm, the 102 mm flux will be 216 lm. Regardless of the driver current, the lumen output of the 102 mm LED Strip will be approximately 33% of the 1ft LED Strip flux.
2. Flux or color differences between the two LED Strip types may appear, depending on the application. This should be checked carefully. For example wall washer applications are sensitive to color and flux differences, so a visual inspection has to be done to assess the quality of light.

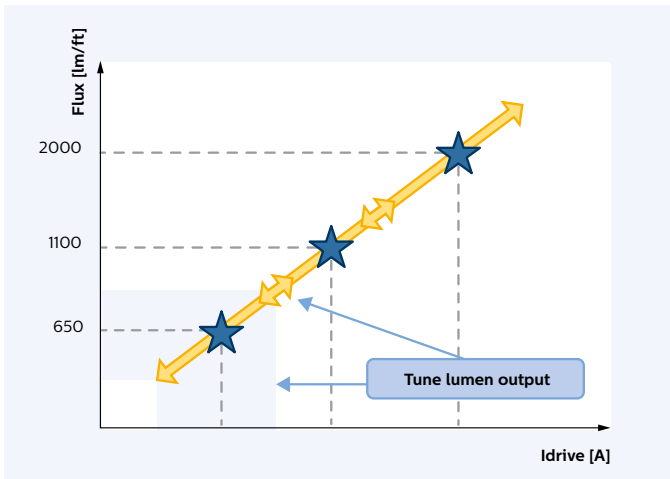
In the schematic below an example of combining the two LED Strip types is shown.

Example: driver current is set to $4 \cdot 150 \text{ mA} + 2 \cdot (150/3) \text{ mA} = 700 \text{ mA}$.



How to... Use different LED module generations

When considering mixing LED Linear modules of different generations in one and the same system use precaution. On one driver (making a system), mixing should not be done. Reason is, besides possible interface differences, the different generations have a different operation point. Mixing the different generations on one driver would lead to a flux-imbalance. On the other hand, within a luminaire or in an installation, each generation driven by its own driver, the modules can be used side by side.



Indicated are the three lumen packages (blue stars; 650, 1100 and 2000 lm/ft). Yellow arrows schematically indicate the flux as function of the current around the nominal value; tuning.

Whole lumen range covered with 3 building blocks

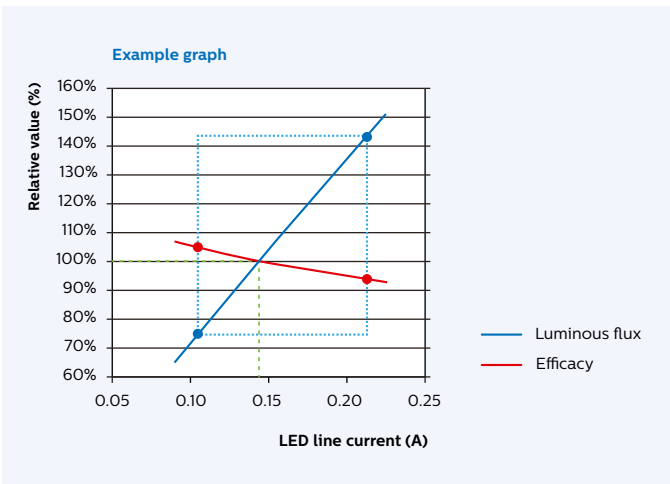
“I need 1200 lm/ft. That is not in the portfolio.
Can I order these at Philips?”
“I am designing for even higher efficacy.
Can I achieve that with Philips?”

Yes you can!

By means of tuning the drive current for the LED modules. With only three lumen packages (building blocks 650, 1100 and 2000 lm/ft) the fluorescent tube lumen range is covered.

How to... Tune the luminaire’s flux and efficacy

The LED module specifications are provided under nominal conditions, like nominal flux at nominal current. An example could be 1100 lm at 250 mA. With Philips’ Fortimo LED Linear system however it is possible to deviate from the LED module’s nominal current. As current (mA) and flux (lm) are approximately linear proportional, by altering the current the flux will change accordingly. The image on the left schematically shows the three lumen packages and the indication of the flux as function of the current; tuning. At the same time also the required forward voltage (Vf) changes a bit, leading to a change in efficacy too (lm/W). The next table explains the impact and boundaries.



Example of tuning flux and efficacy by altering the drive current. For specific details please check the associated datasheet of the LED module you are using.

Example

For a given LED module, keeping Tc constant,

- doubling of the drive current (mA)
- leads approximately to a doubling of the flux
- and cost you only 10% efficacy (lm/W)

There is a large degree of freedom to tune to for example a desired luminaire lumen output.



Important

In case the OEM chooses to set the current (either by programming or by applying an Rset resistor) other than nominal, the lifetime and reliability of the LED module must be taken into account. The following current regions can be distinguished:

1. Current < nominal current (mA)
 - a. Efficacy (lm/W) higher than nominal value
lumen output (lm) lower than nominal value.
 - b. Lifetime > 50,000 hours.
2. Current between nominal current and lifetime current (mA)
 - a. Efficacy (lm/W) lower than nominal value
lumen output (lm) higher than nominal value.
 - b. Lifetime > 50,000 hours.
3. Current between lifetime current and absolute maximum current (mA). No warranty applicable in this case.
 - a. Efficacy (lm/W) lower than nominal value
lumen output (lm) higher than nominal value.
 - b. Lifetime < 50,000 hours.
4. Current > absolute maximum current: do not exceed the absolute maximum current as this can lead to LED module failure. No warranty applicable in this case.



Example of a Set'n'drive resistor featured by BJB, fitted with a leaded resistor inside.

The rated average life is based on engineering data testing and probability analysis. The hours are at the L70 B50 point.

An **example** is given below on how these values are stated in the associated LED module datasheet on www.philips.com/technology.

Fortimo LED Linear module	I nominal*	I life**	I max***
	mA	mA	mA
LED module example	150	200	250

Note:

- * Nominal current at which performance is specified
- ** Value at which lifetime L70B50 ≥ 50,000 hour is specified.
- *** Maximum current tested for safety

How to... Set the output current via Rset

Your lumen, your current

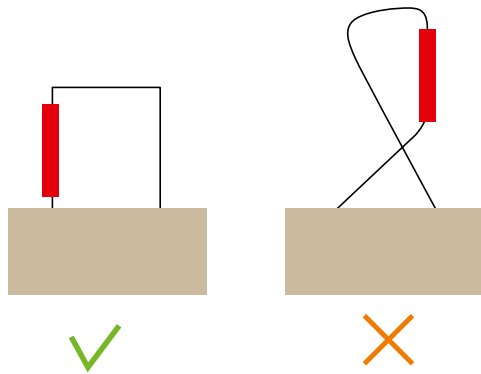
1 resistor value generates 1 current only at all window drivers as long as it fits within the driver window. That is 1 philosophy for all window drivers.

Why a resistor

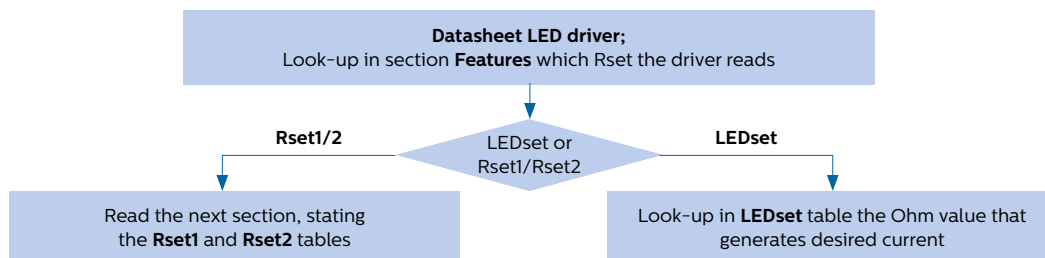
1. Worldwide standardized building block.
2. Worldwide availability and well documented
3. Freedom for OEM to choose the value and supplier.

Resistor placed into driver enables you to

1. Connect different configurations, not just a unique solution.
2. Drive different type of LED modules, not restricted to one type.
3. Select and tune the current, hence flux or Tc.



Connect the wires straight into the unit.



Note on E-series: in electronics, international standard IEC 60063 defines preferred number series for amongst others resistors. It subdivides the interval between subsequent values from 1 to 10 into 6, 12, 24, 48, 96 etc. steps. These subdivisions ensure that when some arbitrary value is replaced with the nearest preferred number, the maximum relative error will be on the order of 20%, 10%, 5%, 1% etc.

LEDset – E96 series: table with E96 resistor values

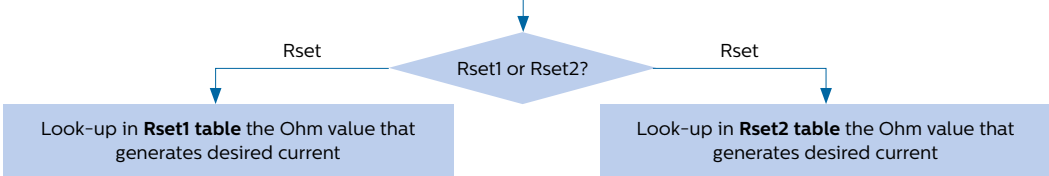
LEDset [Ω]	Idrive [mA]	LEDset [Ω]	Iset [mA]	LEDset [Ω]	Iset [mA]	LEDset [Ω]	Iset [mA]
open	avoid*	23700	211	11000	455	5110	978
49900	100	23200	216	10700	467	4990	1002
48700	103	22600	221	10500	476	4870	1027
47500	105	22100	226	10200	490	4750	1053
46400	108	21500	233	10000	500	4640	1078
45300	110	21000	238	9760	512	4530	1104
44200	113	20500	244	9530	525	4420	1131
43200	116	20000	250	9310	537	4320	1157
42200	118	19600	255	9090	550	4220	1185
41200	121	19100	262	8870	564	4120	1214
40200	124	18700	267	8660	577	4020	1244
39200	128	18200	275	8450	592	3920	1276
38300	131	17800	281	8250	606	3830	1305
37400	134	17400	287	8060	620	3740	1337
36500	137	16900	296	7870	635	3650	1370
35700	140	16500	303	7680	651	3570	1401
34800	144	16200	309	7500	667	3480	1437
34000	147	15800	316	7320	683	3400	1471
33200	151	15400	325	7150	699	3320	1506
32400	154	15000	333	6980	716	3240	1543
31600	158	14700	340	6810	734	3160	1582
30900	162	14300	350	6650	752	3090	1618
30100	166	14000	357	6490	770	3010	1661
29400	170	13700	365	6340	789	2940	1701
28700	174	13300	376	6190	808	2870	1742
28000	179	13000	385	6040	828	2800	1786
27400	182	12700	394	5900	847	2740	1825
26700	187	12400	403	5760	868	2670	1873
26100	192	12100	413	5620	890	2610	1916
25500	196	11800	424	5490	911	2550	1961
24900	201	11500	435	5360	933	2490	2008
24300	206	11300	442	5230	956	short	avoid**

* driver's default current, however not stable. For details see section on 'Default driver output current'

** driver's maximum current, however not absolute. For details see section on 'Default driver output current'

Datasheet LED driver;
Look-up in section **Features** which Rset the driver reads

If both Rset1 and Rset2 are supported,
Rset2 is advised for future compatibility



Note on E-series: in electronics, international standard IEC 60063 defines preferred number series for amongst others resistors. It subdivides the interval between subsequent values from 1 to 10 into 6, 12, 24, 48, 96 etc. steps. These subdivisions ensure that when some arbitrary value is replaced with the nearest preferred number, the maximum relative error will be on the order of 20%, 10%, 5%, 1% etc.

Note: next page shows extended Rset2 table: E96 values, stating smaller increments

Rset1 – E24 series

Ret1 [Ω]	Iset [mA]	Ret1 [Ω]	Iset [mA]	Ret1 [Ω]	Iset [mA]	Ret1 [Ω]	Iset [mA]
39	200	510	292	6k8	583	91k	690
43	201	560	300	7k5	591	100k	691
47	202	620	309	8k2	599	110k	692
51	203	680	318	9k1	60	120k	693
56	204	750	327	10k	614	130k	693
62	206	820	336	11k	621	150k	695
68	208	910	347	12k	627	160k	695
75	209	1k	358	13k	632	180k	696
82	210	1k1	369	15k	640	200k	696
91	212	1k2	379	16k	643	220k	697
100	215	1k3	388	18k	649	240k	697
110	217	1k5	406	20k	654	270k	698
120	219	1k6	414	22k	658	300k	698
130	221	1k8	429	24k	661	330k	698
150	226	2k	442	27k	665	360k	699
160	228	2k2	455	30k	669	390k	699
180	232	2k4	466	33k	671	430k	699
200	236	2k7	481	36k	674	470k	699
220	240	3k	494	39k	676	510k	699
240	244	3k3	505	43k	678	560k	700
270	250	3k6	517	47k	680	620k	700
300	256	3k9	525	51k	682	680k	700
330	261	4k3	536	56k	683	750k	700
360	267	4k7	546	62k	685	820k	700
390	272	5k1	555	68k	686	910k	700
430	279	5k6	564	75k	688	1M	700
470	286	6k2	574	82k	689	No Rset	default

Rset2 – E24 series

Ret1 [Ω]	Iset [mA]	Ret1 [Ω]	Iset [mA]	Ret1 [Ω]	Iset [mA]	Ret1 [Ω]	Iset [mA]
short	100	430	245	2k	733	9k1	1558
100	100	470	261	2k2	780	10k	1604
110	106	510	277	2k4	823	11k	1653
120	111	560	297	2k7	884	12k	1694
130	116	620	318	3k	941	13k	1730
150	121	680	340	3k3	993	15k	1793
160	130	750	368	3k6	1042	16k	1817
180	13	820	392	3k9	1086	18k	1864
200	146	910	422	4k3	1143	20k	1902
220	155	1k	452	4k7	1192	22k	1935
240	166	1k1	485	5k1	1238	24k	1965
270	176	1k2	515	5k6	1293	27k	2000
300	190	1k3	545	6k2	1350	No Rset	default
330	204	1k5	602	6k8	1402		
360	215	1k6	632	7k5	1454		
390	228	1k8	684	8k2	1503		

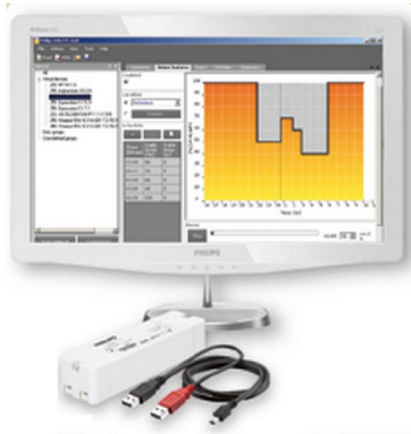
Rset priority behavior for drivers that read both Rset1 and Rset2

Rset1	Rset2	Driver status
Open	Open	Driver's default current (see datasheet)
Rset	Open	Rset1
Open	Rset	Rset2
Rset	Rset	Rset2
Short	Open	Rset1 (driver's minimum current, see datasheet)
Short	Short	Rset2 (driver's minimum current, see datasheet)
Open	Short	Rset2 (driver's minimum current, see datasheet)

Please refer to the datasheet of the driver you use to find which Rset or Rsets the driver actually reads.

Rset2 - E96 series: extended table with E96 values, stating smaller increments but covering same range as the E24 series on previous page

Rset2 [Ω]	Iset [mA]	Rset2 [Ω]	Iset [mA]	Rset2 [Ω]	Iset [mA]	Rset2 [Ω]	Iset [mA]	Rset2 [Ω]	Iset [mA]	Rset2 [Ω]	Iset [mA]
short	min.	255	171	665	335	1,740	669	4,530	1,171	11,800	1,686
100	100	261	173	681	341	1780	679	4640	1185	12100	1698
102	101	267	175	698	347	1820	689	4750	1198	12400	1708
105	103	274	178	715	354	1870	701	4870	1212	12700	1719
107	104	280	181	732	361	1910	711	4990	1226	13000	1730
110	105	287	184	750	368	1960	724	5110	1239	13300	1739
113	107	294	187	768	374	2000	733	5230	1253	13700	1752
115	108	301	191	787	381	2050	745	5360	1267	14000	1761
118	110	309	194	806	387	2100	757	5490	1281	14300	1771
121	111	316	197	825	394	2150	768	5620	1295	14700	1783
124	113	324	201	845	400	2210	782	5760	1308	15000	1793
127	115	332	204	866	407	2260	793	5900	1322	15400	1802
130	116	340	207	887	414	2320	806	6040	1335	15800	1812
133	118	348	210	909	422	2370	817	6190	1349	16200	1822
137	119	357	214	931	429	2430	829	6340	1362	16500	1829
140	120	365	217	953	436	2490	841	6490	1375	16900	1838
143	122	374	221	976	444	2550	853	6650	1389	17400	1850
147	123	383	225	1000	452	2610	865	6810	1403	17800	1859
150	125	392	229	1020	459	2670	877	6980	1415	18200	1867
154	127	402	233	1050	469	2740	891	7150	1428	18700	1877
158	129	412	237	1070	475	2800	903	7320	1441	19100	1885
162	131	422	241	1100	485	2870	916	7500	1454	19600	1894
165	132	432	246	1130	494	2940	929	7680	1467	20000	1902
169	134	442	250	1150	500	3010	943	7870	1480	20500	1910
174	136	453	254	1180	509	3090	956	8060	1493	21000	1918
178	137	464	259	1210	518	3160	968	8250	1506	21500	1926
182	139	475	263	1240	527	3240	982	8450	1518	22100	1936
187	141	487	268	1270	536	3320	996	8660	1531	22600	1943
191	143	499	273	1300	545	3400	1009	8870	1544	23200	1952
196	145	511	278	1330	554	3480	1022	9090	1557	23700	1960
200	146	523	282	1370	565	3570	1037	9310	1569	24300	1968
205	148	536	287	1400	574	3650	1049	9530	1580	24900	1975
210	151	549	292	1430	582	3740	1062	9760	1592	25500	1982
215	153	562	297	1470	594	3830	1075	10000	1604	26100	1989
221	155	576	302	1500	602	3920	1088	10200	1614	26700	1996
226	158	590	307	1540	614	4020	1103	10500	1629	27000	2000
232	161	604	313	1580	626	4120	1117	10700	1639	open	default
237	164	619	318	1620	638	4220	1131	11000	1653		
243	167	634	323	1650	645	4320	1145	11300	1666		
249	169	649	329	1690	656	4420	1158	11500	1674		



How to... Program the output current

1 interface – connecting to indoor & outdoor, LED & conventional

The Xitanium TD drivers offer a full range of controls, enabling customizable luminaire design and performance. It is possible to control light output levels, preset dimming protocols and set system specifications in the factory and even in the complete installations in the field. This can be done with the Philips MultiOne configurator software. The MultiOne configurator software is an intuitive tool that unlocks the full potential of all programmable drivers from Philips, ensuring that the driver performance matches the needs of the lighting solution. It offers unprecedented flexibility, before, during and after the product installation.

For more information and latest version please visit www.philips.com/multione.

This site contains detailed information on how to install the software and how to program the driver.

How to... Wire - general remarks

Direct wiring between driver and LED modules

Be informed that no components are allowed between the LED driver and LED modules other than connectors and wiring intended to connect the LED driver to the LED module. For example it is not allowed to install a switch between the driver and LED modules.

2 wires into one connector hole

In some scenarios two wires need to be connected to one connector hole. In this case the pairing has to be done outside the driver, resulting in only one wire going into the driver. Two wires into one connector hole are not supported.

Ferrules

The reliability of twin-wire ferrules (or “wire end stop”), accepting the wire intended to use, should be checked with the supplier of these ferrules.

Cables and wires

With the current Fortimo LED Linear modules standard solid core installation wire can be used. This approach allows the OEM to choose the preferred supplier, as well as preferred cable properties like color, thickness, lengths, although mains-rated wiring is advised. Please check the LED module and driver datasheet for details like wire thickness and strip length on www.philips.com/technology.



Examples of what solutions could look like for pairing wires.



Twin-wire ferrules.





Automatic wiring by robot

Equipped with a new connector, LED Linear portfolio is now enabled for automatic robot wiring, as are the latest Xitanium Indoor Linear LED drivers. For implementation details please check with your robot manufacturer.

Connecting the LED module to the driver

On the LED modules, connectors are marked 'IN' or 'OUT', together with a '+' or '-' or both. LED Linear modules are polarity sensitive. Please assure a correct wiring before switching on the LED driver. In a '2-chain' configuration, 2 plusses and 2 minuses have to be connected to the driver. Currently Philips offers only single channel Linear drivers, meaning that if double '+' and '-' are present at the driver output, these are in parallel. Only one current (mA) can be drawn from the driver. See also the Design-In Guide Xitanium Indoor Linear LED Drivers on www.philips.com/technology.

Interconnecting LED modules

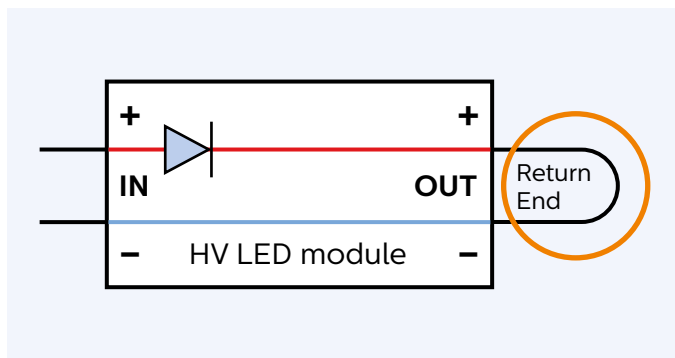
By default the cables are connected from the 'OUT' connector of a LED module to the 'IN' connector of the next in line LED module, keeping the polarity ('+' and '-') consistent. However different wiring schemes could be possible (see previous paragraph on wiring). LED Linear modules are polarity sensitive. Please assure a correct wiring before switching on the LED driver.

Return-end connection (HV double-pole product only)

A short piece of wire to form a loop-back, typical 5 cm long, as explained in previous section on System Configurations.

Connecting the driver to the mains supply

The mains supply has to be connected to the LED driver, not the LED module.



Schematic representation of the Return-End cable Mounted on a double pole connector.



Warning

Connecting the luminaire to protective earth
If the driver needs to be connected to Protective Earth, like non-isolated Xitanium LED drivers, then also the luminaire needs to be connected to protective earth in order to comply with safety regulations and EMI. Please also consult the Design-In Guide of the Xitanium Indoor Linear LED drivers on www.philips.com/technology.

Electromagnetic compatibility (EMC)

Electromagnetic compatibility (EMC) is the ability of a device or system to operate satisfactorily in its electromagnetic environment without causing unacceptable interference in practical situations. In general, LED modules have no effect on the EMC of a luminaire. The Fortimo LED Linear family modules are evaluated in combination with a Xitanium driver in a reference luminaire, according to the standards mentioned in the table below. No issues were observed.

Xitanium Indoor Linear LED drivers meet EMC requirements per CISPR 15 ed 7.2. The test is conducted with a reference setup that includes a driver and an LED load mounted on a metal plate.

Cable length and EMC

Philips has successfully performed EMC tests for a total length 4 m (sum of wire length and length of the Fortimo LED Linear modules). For longer lengths it is advised to repeat these tests.

How to... Improve EMI performance

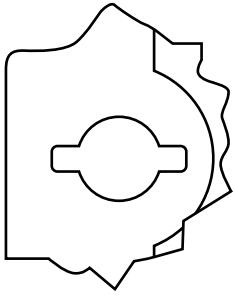
As mentioned before, the total amount of parasitic current needs to be minimized. For that reason, the following practical precautions need to be taken into account in a lighting system to minimize EMI:

- Minimize the DM loop area of the lamp wires going from the driver to the light source by keeping the wires close together (bundling). This will minimize the magnetic field and reduce the radiated EMI. Long linear light sources are also part of that loop.
- Minimize the CM parasitic capacitance of the output wiring + light source to earth by keeping the length of the wires between driver and light source as short as possible. Also minimize the copper cooling area on the LED PCB and keep the length of the incoming mains wire inside the luminaire as short as possible.
- Keep mains and control wires (DALI, 0-10 V) separated from the output wires (do not bundle).
- Ground the lighting system chassis and other internal metal parts to protective earth (PE, class I luminaires) and do not let large metal parts “float”. Always use the safety or functional earth connector or wire from the lamp driver. Or use equipotential connecting wires for all internal floating metal parts which are inaccessible (class II luminaires). Keep safety and functional earth wires as short as possible to minimize their inductance, use as much as possible large metal areas (chassis, mounting plates, brackets) for earthing purposes instead.

-
- For Class II it is advised to establish a functional earth (FE) connection between all larger conductive, non-accessible luminaire parts and the driver to remedy potential EMC problems.
 - Sometimes, radiated EMC compliance cannot be achieved, necessitating the use of a 100 ... 300 Ω axial ferrite bead(s) for either mains or lamp wiring (effective for interference between 30 MHz and 300 MHz), or coupling the wires through ferrite cores within the luminaire may improve the overall EMC performance. However, selection of the type and characteristics of the additional filter depends on what frequency components have to be damped and by how much.

Adhering to these rules will help in EMC compliance. For further questions, please contact your local Philips representative. Alternatively the Philips Lighting OEM Design-In team could be consulted for a possible solution.

Mechanical design-in



Example of a fixation slit-hole.

Mechanical fixation and creepage for LED Linear modules

To allow performance achieving the specification, it is advised to use all mounting holes. Optionally you can omit some fixation points and evaluate the board's performance on mechanical flatness and thermal contact. Make sure the boards are thermally in good contact with the mounting surface. This can be verified by measuring the Tc temperature. When in good thermal contact, it is likely no additional thermal paste or cooling bodies are required. The fixation holes are indicated in each product's datasheet in the download section of www.philips.com/technology.

Screws, washers and fixation holes

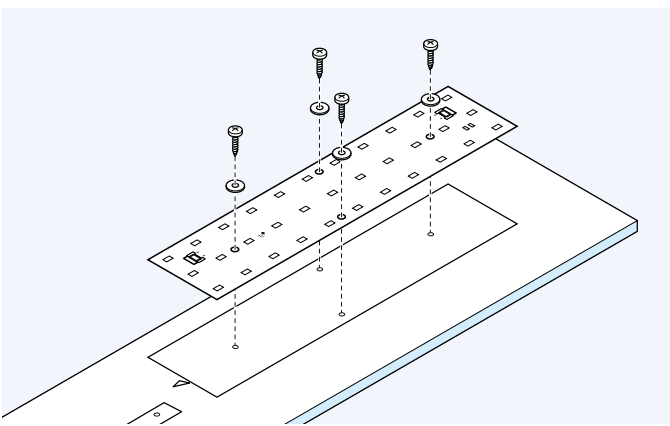
Each LED module fixation hole accepts either M4 (or size 8) or M3 screws. OEMs may choose different size screws, as long as the **creepage** and **clearance** is guarded. When using washers we recommend using insulating washers and not metal washers, as with metal washers the creepage distance of earthed screw connection with respect to PCB tracks is more difficult to be guaranteed.

To ensure the electrical insulation when using for example M4 metal screws, the diameter of the screw head (and optional metal washer) must **not exceed 8 mm**. When using electrically non-conductive materials the size could be allowed larger than 8mm diameter. Small circles around the fixation holes indicate the limit the screw head should stay within.

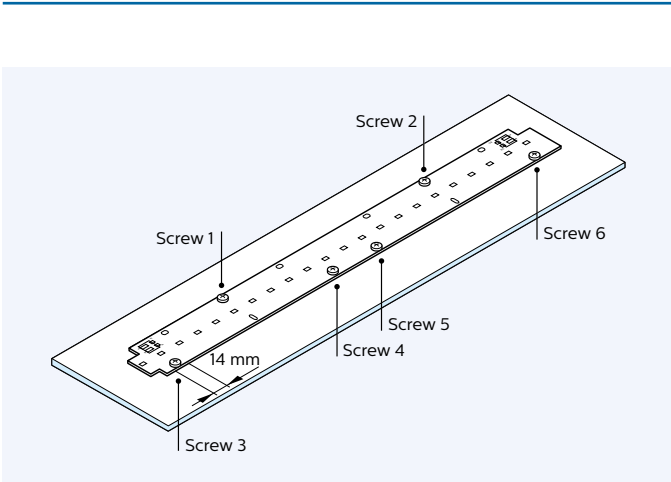
Some LED Linear types have holes available for mounting electrically non-conductive optics. The electrical isolation distance around these holes is not suitable for metal screws. Do not use these holes for mounting and fixing the LED module.

Damage of insulation layer by screws or clamps

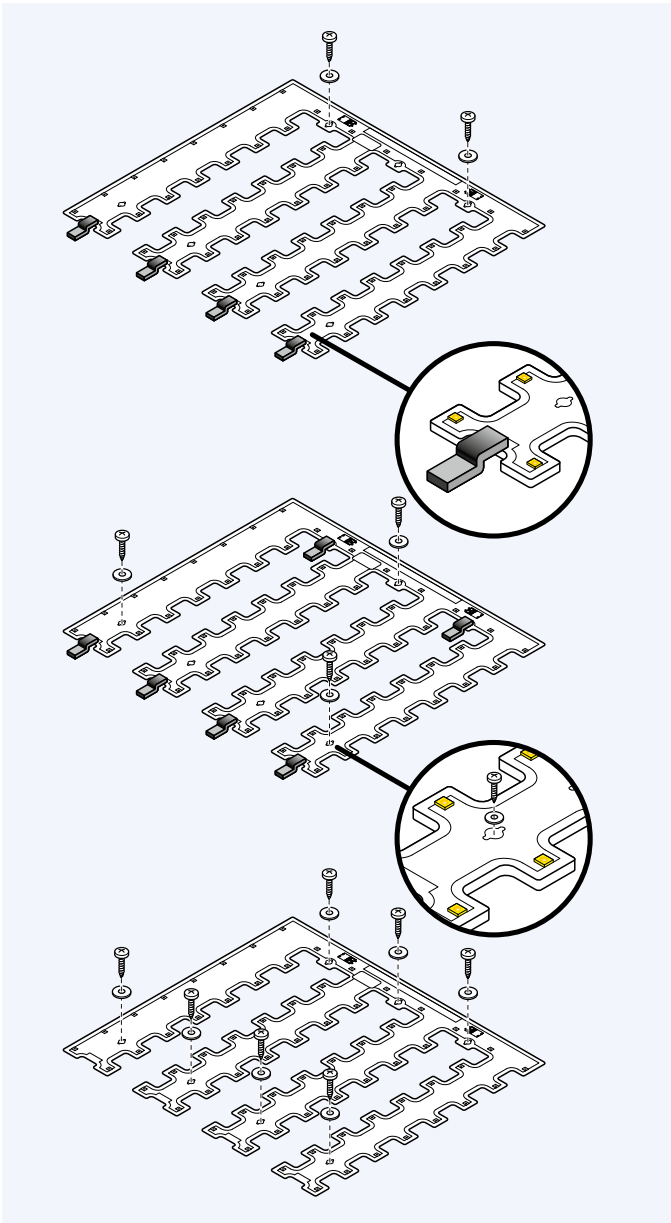
In general the surface of the PCB must not be damaged by mounting materials as this may compromise the electrical isolating layer. However scratching of the PCB's white top layer in the region that is intended for fixation by screw or clamp will not lead to loss of function or reliability. The area around fixation holes does not carry any copper tracks. This can be seen when looking carefully at the LED module. The mounting materials must still comply with the relevant creepage and clearance.



Example of using washers.



Example of fixation with 6 screws.



Screw torque

The maximum torque that should be applied depends on the screw type and luminaire material. The fasteners used to secure the LED module to a heat sink must be tightened with a torque in accordance with the table below.

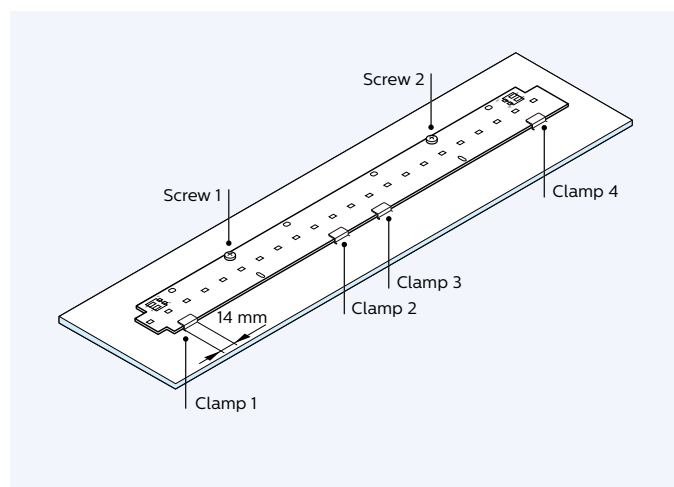
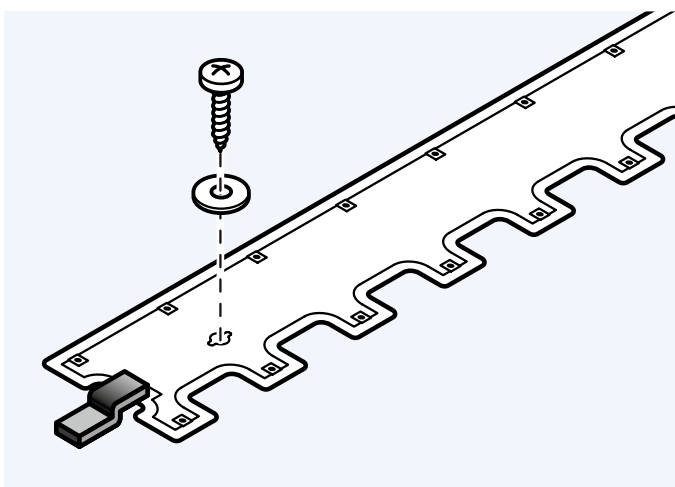
Screw torque	min	max
Steel or aluminum, threaded/tektite	0.6 Nm	1.0 Nm

Alternative fixation methods

With Fortimo LED Linear modules fixation methods other than screws can be explored, potentially leading to fewer screws and faster mounting times. In order to achieve this, larger copper-free isles have been designed around the mounting holes. This freedom applies to the whole LED Line portfolio. Be careful that the clamp pressure on the PCB still enables flat assembly of the LED Linear module, so if the clamp somehow prevents the product from taking a flat position to make good thermal contact with the luminaire, it is undesired. Suggestions are made in this section.

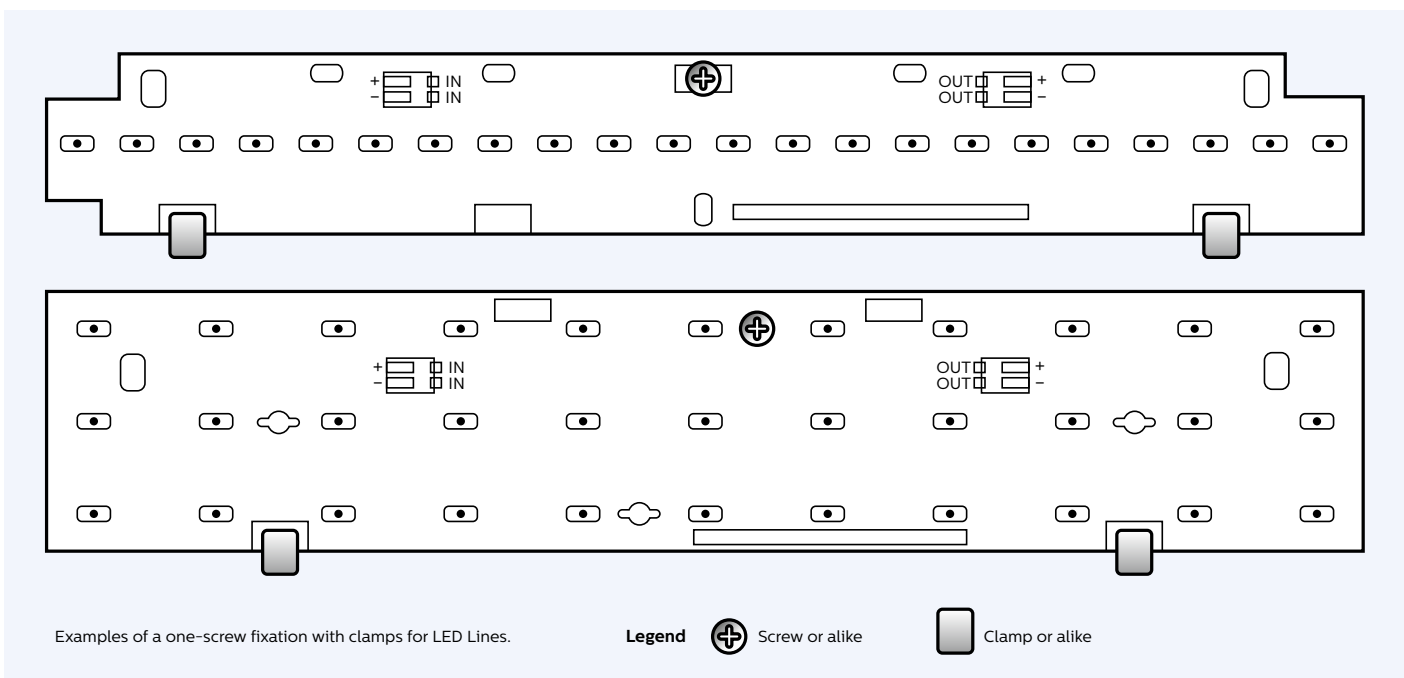
Clamps

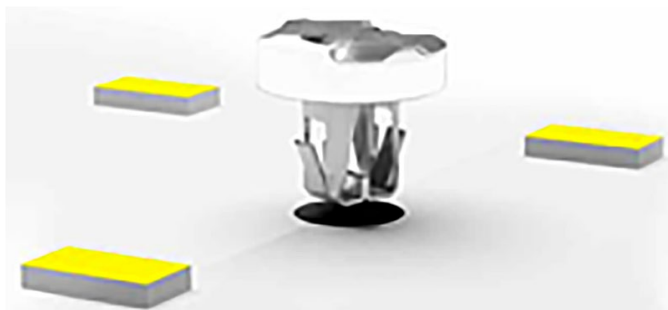
As an example for the LED Line 1ft SQ module using clamps, three different mounting scenarios are depicted on the left. Each clamp used must comply with a 3 mm distance from clamp to the copper track in all directions on the LED module. A similar approach holds for the linear LED modules, as indicated below.



Tip for scenario 2 of the 1ft SQ modules

Make sure when using two rows of clamps (A and B) to keep the clamp length of B slightly shorter, to allow mechanical alignment on the A clamps first. Next, lower the 1ft SQ module and slide them under clamps B too. Finally put in the screws.



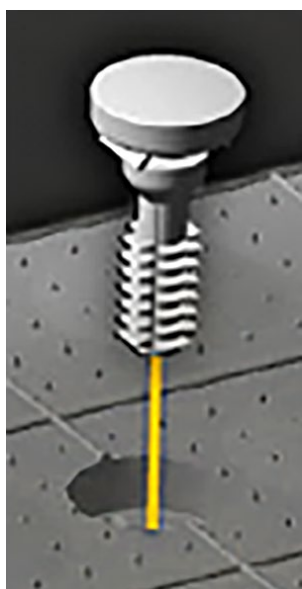


Example of a Push to Fix component by BJB.

Complementary partners for fixation alternatives

Fixation materials, such as screws, are not part of the Fortimo LED Linear system offering. This is an added-value area for OEMs, offering the possibility to differentiate. However, there are several suppliers offering push-and-fix-like components or adhesive tapes, enabling quick and easy luminaire creation. Some of these are listed in the complementary partner section in our LED Catalogue (both available printed and digital) or in the Support section on www.philips.com/technology.

Reference to these products does not necessarily mean they are endorsed by Philips. Philips gives no warranties regarding these products and assumes no legal liability or responsibility for any loss or damage resulting from the use of the information given here. We advise not to use bare plastic push pin fasteners (without any metal parts) as these are likely to wear out before the lifetime of the LED product is reached, reducing the mechanical and thermal contact between the LED module and the luminaire.



Example of a Florence Press Fit Screw Replacement component by LEDiL.

Optical design-in

Optics on top of, or near the LED Linear modules

Luminaire manufacturers have the freedom to design their own optics in order to maximize the lm/W efficiency and beam shape of the system.

Additional fixation holes are provided in most LED Linear modules in order to align electrical non-conductive optics onto the LED module. These are holes without a slit. To allow possible future changes it is advised to take into account some additional room around the connector when designing optic directly onto the LED module.

Complementary partners for optics

Secondary optics is not part of the Fortimo LED Linear system offering. This is an added-value area for OEMs, offering the possibility to differentiate. However, there are many companies offering for example reflectors, lenses or bulk diffusers who have a standard portfolio of compatible optics available, enabling quick and easy luminaire creation. Some of these are listed in the complementary partner section in our LED Catalogue (both available printed and digital) or in the Support section on www.philips.com/technology.

Reference to these products does not necessarily mean they are endorsed by Philips. Philips gives no warranties regarding these products and assumes no legal liability or responsibility for any loss or damage resulting from the use of the information given here.

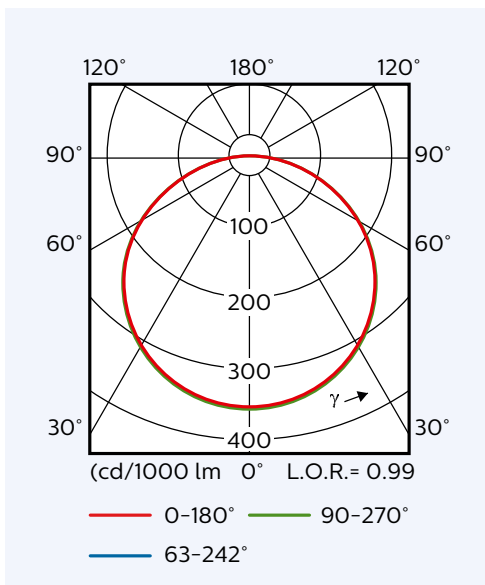
Light distribution

Fortimo LED Linear modules generate a Lambertian beam shape (see light distribution diagram).

The IES (or .ldt) files are available via the website www.philips.com/technology.

Ray sets

Ray set files are available for customer use, and can be downloaded from the download section on www.philips.com/technology. All ray set files are available containing 100,000, 500,000 and 5,000,000 rays, although due to their size the last two types are not in the download section. Please contact your Philips representative to obtain these separately if required.



Ray-set ZIP file contains typically

Software	File extension
ASAP	.dis
Light Tools (ASCII)	.ray
TracePro/Oslo (ASCII)	.dat
Zemax	.dat
Explanation & definitions	.ppt
Solid 3D model	.stp

The origin of the ray sets is shown in the accompanying PowerPoint file per module type, as are the 3D Step files.

Color Consistency (SDCM)

Color consistency refers to the spread in color points between modules. It is specified in SDCM (Standard Deviation of Color Matching) or MacAdam ellipses, which are identical. The value refers to the size of an ellipse around a point close to the black body locus. Staying within this ellipse results in a consistency of light which ensures that no color difference is perceivable between one LED module and another with the naked eye in most applications.

SDCM value in the datasheet represents an integrated measurement over the complete LED module.

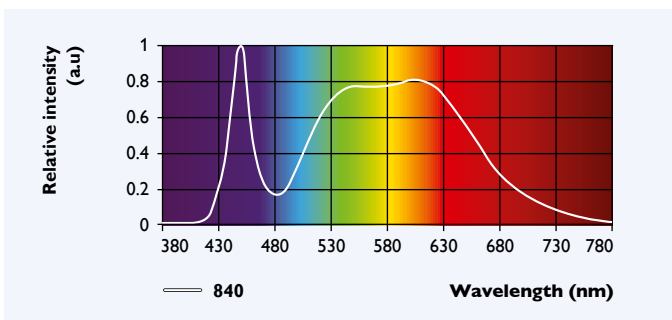
Please be aware that in applications that are more sensitive for color differences (color consistency of <3 SDCM) such as wall washers (<2 SDCM), we advise you to contact your local Philips representative or the Philips design-in team for expertise and support in luminaire design and evaluation.

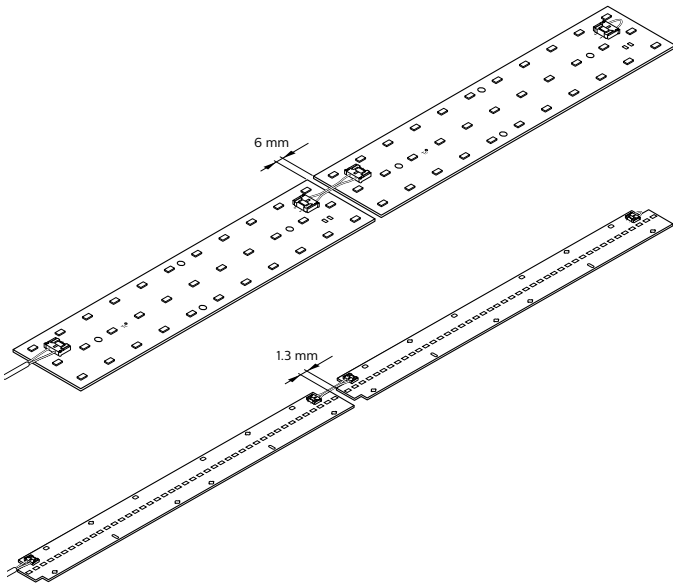
Color targets (CCT)

The color target points of both Correlated Color Temperature (CCT) and Color coordinates (CIEx, CIEy) of the Fortimo LED modules are found in the respective datasheets on www.philips.com/technology.

Spectral light distribution

The typical spectral light distributions of the Fortimo LED modules are shown in the respective datasheets on www.philips.com/technology.





Continuous LED pitch

To achieve optimal lighting uniformity, it is advised to keep the LED pitch between the modules the same as on the module itself. As an example, for current LED Line 3R modules the modules should be ~6mm apart. For LED Line 1R modules that should be ~1.3 mm. This distance can be derived from the measures in the drawings provided in the datasheet of the LED module you use, in the download section on www.philips.com/technology.

Reflector design

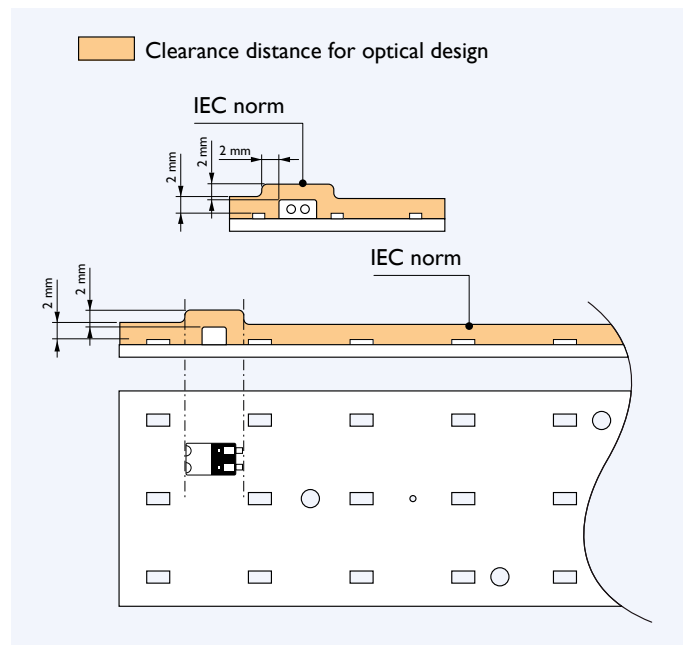
If a reflector is designed around the LED module, it is essential to allow a proper clearance distance between the LED module and reflector around the LED module surface, LEDs and the connectors (see drawing below). This clearance distance is necessary to ensure safe insulation of the system and is in line with IEC regulations 60598 to prevent short circuiting, damage and an open circuit to the LED module.

Required minimum clearance distance

HV product requires 2 mm minimum
 LV product requires 1 mm minimum

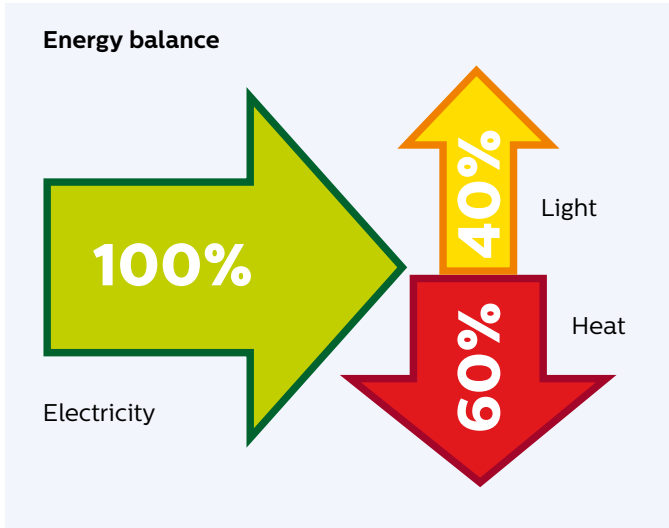
Warning

If a luminaire requires protective earth, all conductive parts – like the reflector – must be electrically connected to protective earth in order to prevent hazardous conditions!



Clearance distances required for optical design around LED Linear modules.

Thermal design-in



Introduction

To facilitate design-in of Fortimo LED Linear systems, the critical thermal management points of the LED modules and driver are set out in this section. In Philips' product design phase all possible precautions have been taken to keep the component temperature as low as possible. However, the design of the luminaire and the ability to guide the heat out of the luminaire are of utmost importance. If these thermal points are taken into account this will ensure the optimum performance and lifetime of the system.

Definitions

- LED module temperature: temperature measured at the Tc point of the LED module.
- Driver temperature: temperature measured at the Tc point of the driver.
- Ambient temperature (Tamb): temperature outside the luminaire.

When switched off >2 hours, temperature at Tc point is likely to equal Tamb.

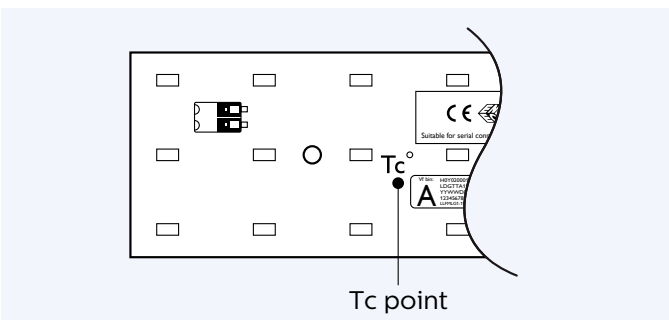
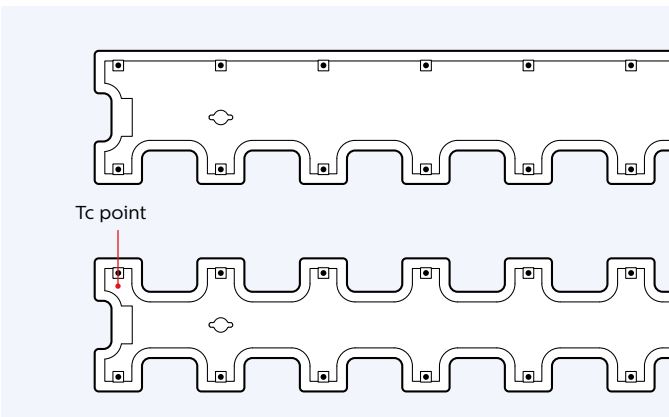
Thermal behaviour of Xitanium drivers

Besides the LED modules, another important component is the driver. For specific design-in guidelines please consult the associated design-in guide for the Xitanium indoor linear LED drivers and the associated driver datasheet, to be found on the download section of www.philips.com/technology.

Tc point

The Tc test point indicates a reference point for measuring the LED module's temperature. This can be used during the luminaire design to verify that the temperature remains below the maximum specified temperature for the Tc test point.

For LEDs it is the junction temperature that is the critical factor for operation and lifetime. Since there is a direct relation between the case temperature and the LED junction temperature, it is intended to only measure the temperature at the Tc point of the LED module. This Tc point must not exceed the maximum values stated in the associated datasheet in the download section on www.philips.com/technology.



Examples of Tc point position.

How to... Measure Tc at the Tc point

The Tc test point for each LED module is indicated both on the PCB and in the associated datasheet on www.philips.com/technology. The temperature can be measured using for example a thermocouple that is firmly glued or taped to the upper surface of the LED module. For a representative measurement the temperature must be stable before any reliable data can be obtained (often minimum 1 hour stabilizing time).

Relation between Tc and flux

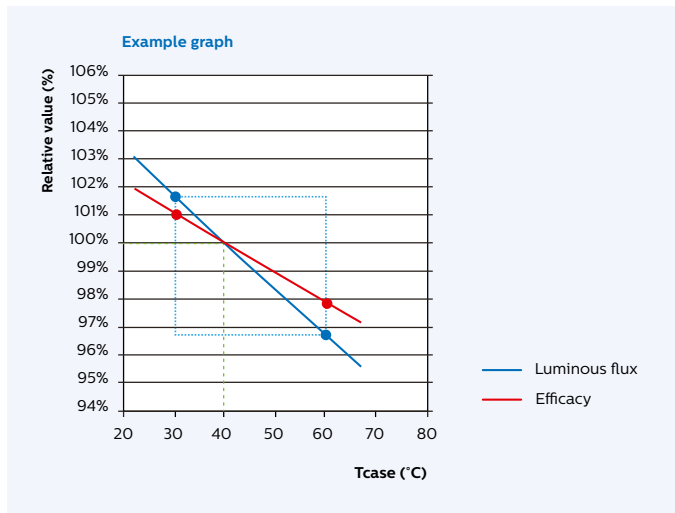
The flux of the LED module is specified at a nominal Tc, which is a lower value than the maximum Tc corresponding to the lifetime specification. Increasing the Tc temperature has an adverse effect on the flux and lifetime of the LED module.

Relation between Tc and ambient temperature

The Tc increases by approximation linear with the ambient temperature (Tamb). The temperature offset between Tamb and Tc depends on the thermal design of the luminaire. The Fortimo LED Linear system has been designed for indoor use. For approved ambient temperature range please check the associated LED module datasheet on www.philips.com/technology.

How to... Tune for anticipated ambient temperature (°C)

The LED module specifications are provided under nominal conditions, like nominal flux at nominal Tc. In previous sections it has been explained how to determine the temperature at Tc point. It is however possible to deviate from the LED module's nominal Tc. As the ambient temperature (Tamb) and Tc are related, thermally designing for a different Tc could allow for e.g. a higher Tamb or using different housing materials. Deviating Tc from nominal will lead to relative small changes in flux (lm) and efficacy (lm/W). The next table explains the impact and boundaries.

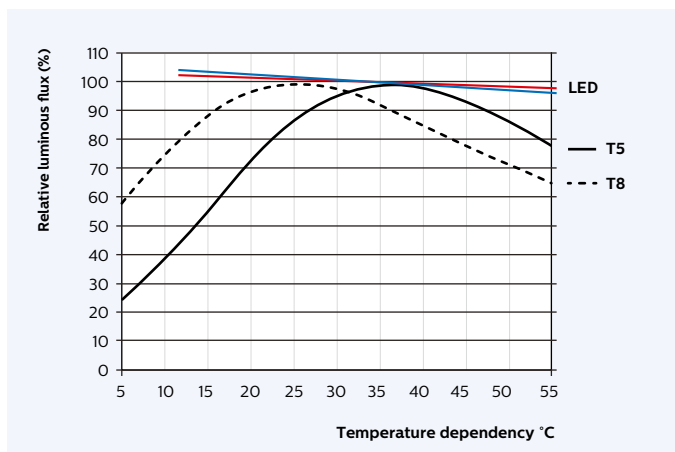


Example of altering flux and efficacy by allowing a different Tc. For specific details please check the associated datasheet of the LED module you are using.

Example

For a given LED Linear module, keeping the drive current constant,

- allow doubling of Tc (°C).
- costs only about 5% flux.
- and costs only about 3% efficacy (lm/W).



With LED there is a stable light performance over a large temperature range, opposed to fluorescent tubes.



Important

In case the OEM chooses to allow the temperature at Tc other than nominal, the lifetime and reliability of the LED module must be taken into account. Given a constant drive current (mA), following temperature regions can be distinguished:

1. Temperature at Tc < nominal value (°C)

- Efficacy (lm/W) higher than nominal value.
Light output (lm) higher than nominal value.
- Lifetime > 50,000 hours.

2. Temperature at Tc between nominal value and lifetime value (°C)

- Efficacy (lm/W) lower than nominal value.
Light output (lm) lower than nominal value.
- Lifetime > 50,000 hours.

3. Temperature at Tc between lifetime value and absolute maximum value (°C). No warranty applicable in this case.

- Efficacy (lm/W) lower than nominal value.
Light output (lm) lower than nominal value.
- Lifetime < 50,000 hours.

4. Temperature at Tc > absolute maximum value:

do not exceed the absolute maximum value as this can lead to LED module failure. No warranty applicable in this case.

Temperature at Tc has some impact on performance but a clear impact on lifetime. Advice is to stay below Tc-life. The rated average life is based on engineering data testing and probability analysis. The hours are at the L70 B50 point.

An **example** is given below on how these values are stated in the associated LED module datasheet on www.philips.com/technology. Please make sure to look up the corresponding Tc values for the Fortimo LED Linear product you are using.

Fortimo LED Linear module	Tc nominal *	Tc life**	Tc max***
	°C	°C	°C
LED module example	45	55	65

Notes:

* Nominal Tc at which performance is specified.

** Value at which lifetime L70B50 ≥ 50,000 hour is specified..

*** Maximum Tc for safety.

Influence of thermal resistance of the luminaire

Retrofitting LED Linear into existing fluorescent fixtures is possible in many cases. However, in case of a high flux LED Line - with a high power density - the luminaire design has to enable sufficient heat transfer from the LED module to the ambient. In other words, the higher the flux density (lm/ft) the lower the total thermal resistance (Rth) from the LED module to the ambient has to be, in order to keep the LED module temperature at the specified level. The total Rth is determined by both the LED module and the luminaire design. The lower the Rth, the better the thermal performance of the system.

In case the measured T_c value of the LED module inside the luminaire is higher than specified and the luminaire design cannot be modified, reducing the LED module's current can provide a solution.

The total Rth can be calculated from the measured difference between T_c and T_{amb} and the LED module's current and voltage by the following formula:

Please note: P_{th} is approximately $0.6 \times P_{electric}$

$$R_{th} = \frac{(T_c - T_{amb})}{0.6 \times (V \times I)}$$

How to... Calculate T_c after changing the drive current

If T_c is known at current 'X' mA, what will T_c be if the current is set to 'Y' mA?

Alternatively:

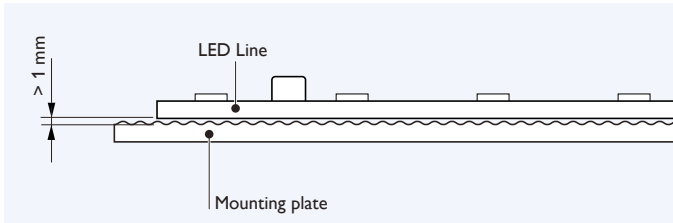
How much higher can or lower must the current be to stay below T_c -life?

1. Given T_c and $T_{ambient}$ are obtained correctly in the first place.
2. Assuming linear relation with bias (being the $T_{ambient}$) is realistic.
3. Once Rth is determined, it becomes:

$$T_c = (R_{th} * V * I) + T_{ambient}$$

This realistic approach is however simplified. For example calculate T_c within few degrees Celsius from T_c -life for 40mA, based on measurement at 200 mA, can be expected very inaccurate.

Advice: for best practice and to safe-guard warranty, please do actual measurements.



The air gap of the area where the LED module is mounted should not exceed 1 mm along the LED module.

Cooling via the luminaire housing or cooling plate

Thermal contact

The air gap of the area where the LED module is mounted should not exceed 1 mm along the LED module's length to ensure good thermal contact and to avoid local stress and strain on the LED module. By ensuring good thermal contact between the bottom surface and the luminaire surface the use of thermal paste is almost certainly unnecessary. Preventing an air gap is ensuring the best thermal contact.

Cooling via the luminaire housing

The Fortimo LED Linear module itself has been optimized to spread the generated heat. However, extra cooling can be achieved via the luminaire housing or, if this is not sufficient, via an extra cooling plate. For this to work well, good thermal contact must be achieved. Obviously the plate must release its heat via the luminaire to the surroundings as well.

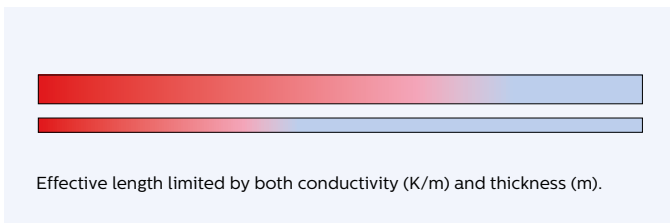
Cooling surface area and material

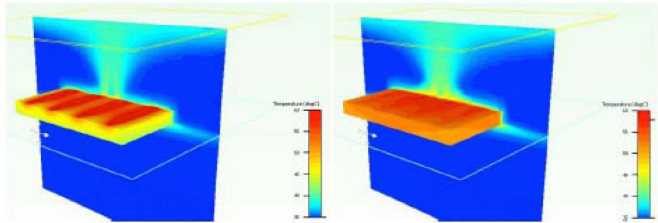
The amount of heat that needs to be transferred away from the LED module to the ambient air is about two thirds of the electrical power. This heat needs to be dissipated and transferred to ambient air via the luminaire housing.

If the luminaire housing has a good thermal conductivity the effective cooling area is increased. It is therefore recommended to use a material that has high thermal conductivity and is of sufficient thickness. This will lower the T_c temperature and enable the system to perform better (lifetime and flux). The required size of the luminaire housing area per LED module depends on the design and volume of the luminaire, the thermal properties of the material used and the expected ambient temperature.

Material	k (W/mK)	Equivalent conductivity
Copper	400	1 cm thickness, could be replaced by
Aluminum	200	2 cm thickness, could be replaced by
Brass	100	4 cm thickness, could be replaced by
Steel	50	8 cm thickness, could be replaced by
Corrosion-resistant steel	15	27 cm thickness

Thermal conductivity of different materials.

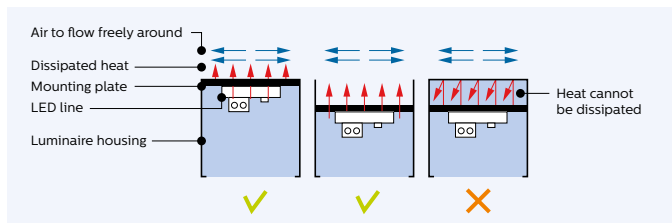




1 mm steel

1 mm aluminum

Temperature distribution using different mounting plate materials.



Operation under built-in conditions, applicable for both LED module and driver.

Aluminum is preferred over steel because of its higher thermal conductivity, although for most applications steel is likely to be adequate for ambient temperatures of up to about 40 °C. If Tc is exceeding the target value, consider the use of aluminum.

The examples on the left show that the heat is transferred in a correct way:

Thermal radiation and emissivity coefficient

Thermal radiation accounts for a substantial part of the total heat transfer. The amount of thermal radiation is highly dependent on the emissivity coefficient of the surface. For example, a polished aluminum surface has a very low emissivity coefficient, while a painted surface has a very high one. A higher emissivity coefficient means more effective heat transfer.

Thermal emissivity coefficients of common materials

Material	Finish	Emissivity coefficient
Aluminum	New/polished	0.04 - 0.06
	Blank	0.20 - 0.30
	Anodized	0.80 - 0.95
Steel	New/polished	0.10
	Painted/coated	0.80 - 0.95

Tips for small volume and double chamber conditions

The heat produced by the LED modules and driver in the luminaire (or similar housing) must be dissipated to the surroundings. If a luminaire is thermally isolated by a ceiling, wall or insulation blanket, the heat produced cannot be easily dissipated. This will result in a higher temperature of the driver and LED modules, which will have an adverse effect on system performance and lifetime. For optimum performance and lifetime it is advised that air be allowed to flow freely around the luminaire and that the mounting plate is in direct thermal contact with free air. Designing the luminaire in such a way that air can also flow through it will provide extra cooling, which may be beneficial in certain cases.

How to... Design for good thermal performance

General thermal design guidelines to improve the thermal management and performance of a luminaire:

- Ensure good thermal contact between the module/driver and the coldest part of the luminaire.
- Simplify the heat path from Tc to cold ambient air; fewer interfaces is better.
- Place the module(s) and driver at a distance from each other to obtain a more uniform temperature distribution in the luminaire.
- Avoid sharp folding or bending of metal plate-parts.
- Use good thermally conductive materials in the primary heat path.
- Ensure proper heat spreading by using materials with good conductivity and/or sufficient thickness to increase the effective cooling surfaces.
- Anodized, painted surfaces are preferable to blank shiny surfaces in order to increase heat transfer via thermal radiation.
- Use of thermal interface materials (TIM) can be considered to improve thermal contact, i.e. between the LED module and luminaire housing.

Contact Philips at any time if you need advice on your luminaire design (see section entitled 'Contact details').

Reliability

Impact of thermal cycling on product failure

Not only the drive current (mA) and steady state case temperature (T_c °C) have an impact on the lifetime of LEDs. Also the number of full thermal cycles has a significant impact on product failure. A full thermal product cycle means the complete warm up to stabilized T_c of the product in use and full cool down to ambient temperature (T_{amb}) of the product being switched off. For your convenience the amount of warranted full thermal product cycles of the LED product at a given T_c is stated in the datasheet of the LED module you use in the download section on www.philips.com/technology. An example table is given below for an ambient temperature of 25 °C. Electrically faster switching, thereby not reaching the thermal limits of a full thermal cycle, will allow for higher numbers. Note: always take the T_c temperature limits into account as stated in the datasheet of the LED module you use.

Warranted number of full thermal product cycles at which the survival rate of the population $\geq 90\%$, at 25°C ambient temperature

Case temperature T_c [°C]	LED module 1	LED module 2
35	14,600	
40		
45	14,000	
50		
55	12,000	14,600
60		
65	8,000	14,600
70		
75	6,000	14,000
80	5,000	
85		10,000
90		8,000

Lumen maintenance of the Fortimo LED Linear modules B50L70 @ 50,000 hours

The quality of the Led Linear portfolio is underpinned with Philips' claim of B50L70 @ 50,000 hours. This means that at 50,000 hours of operation at least 50% of the LEDs' population will emit at least 70% of its original amount of lumens. The decreased lumen level can be a result of less light out of an LED, discrete LEDs failing - leading to a reduced lumen output of the luminaire - or a combination of the two. This contrary to conventional light sources, where some time after Service Life Hours the conventional light source emits no light at all. In this section the example graphs show the estimated lumen depreciation curves for

Examples

LED module 1 with T_c 65 °C at T_{amb} 25 °C has a warranted number of full thermal product cycles of 8,000.

LED module 2 with T_c 65 °C at T_{amb} 25 °C has a warranted number of full thermal product cycles of 14,600.

different percentage of the population and for different Tc temperatures. The actual data for the LED Linear modules can be found in the associated datasheet.

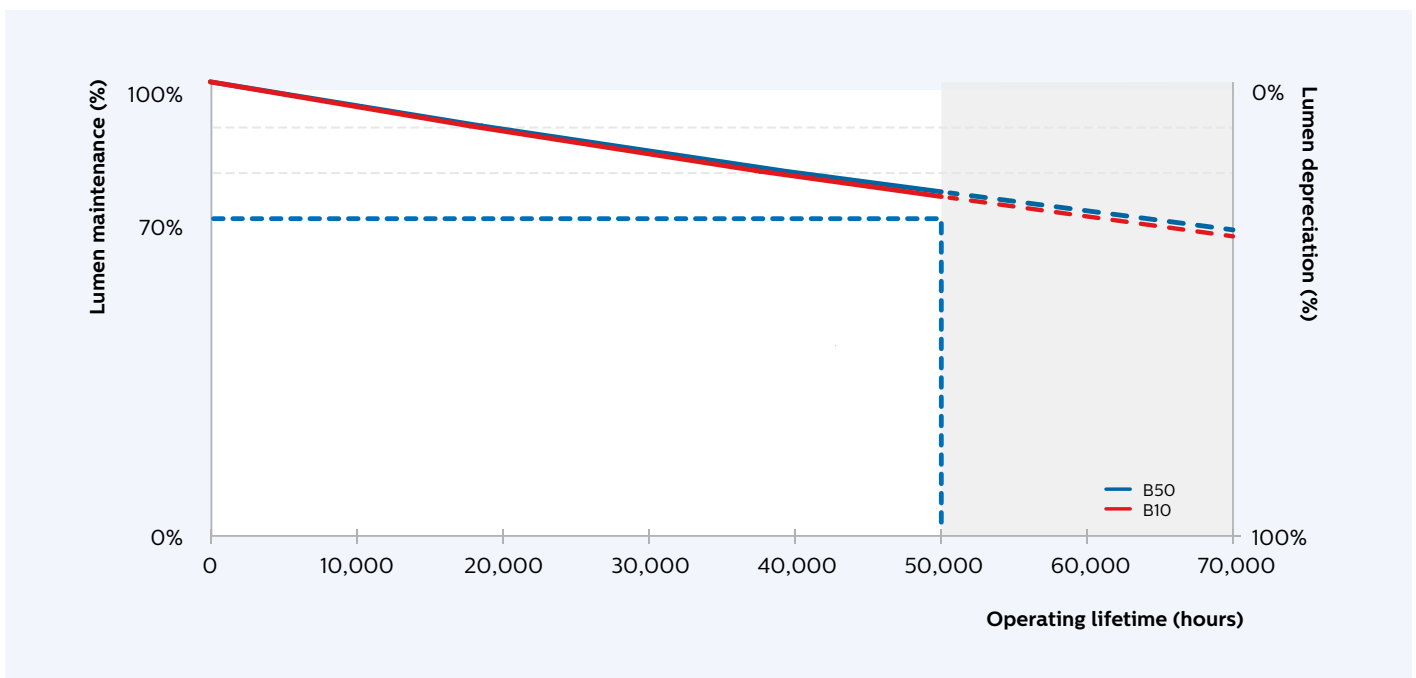
These estimations are based on 9,000 hours of LM80 testing and calculated according to the TM-21 guideline. After 50,000 hours the lines are dotted, because officially lumen maintenance beyond 50,000 hours cannot be predicted. Lowering the drive current and or temperature will increase the lumen maintenance time.

Please refer to the associated LED module datasheet for the specific graphs on www.philips.com/technology.

Lumen maintenance for B10 and B50

Below example graph is showing the lumen maintenance (% of initial lumen over time) for B50 (50% of the population) and B10 (90% of the population).

Please look up the actual lumen maintenance graph in the associated datasheet of the Fortimo LED module you are using.

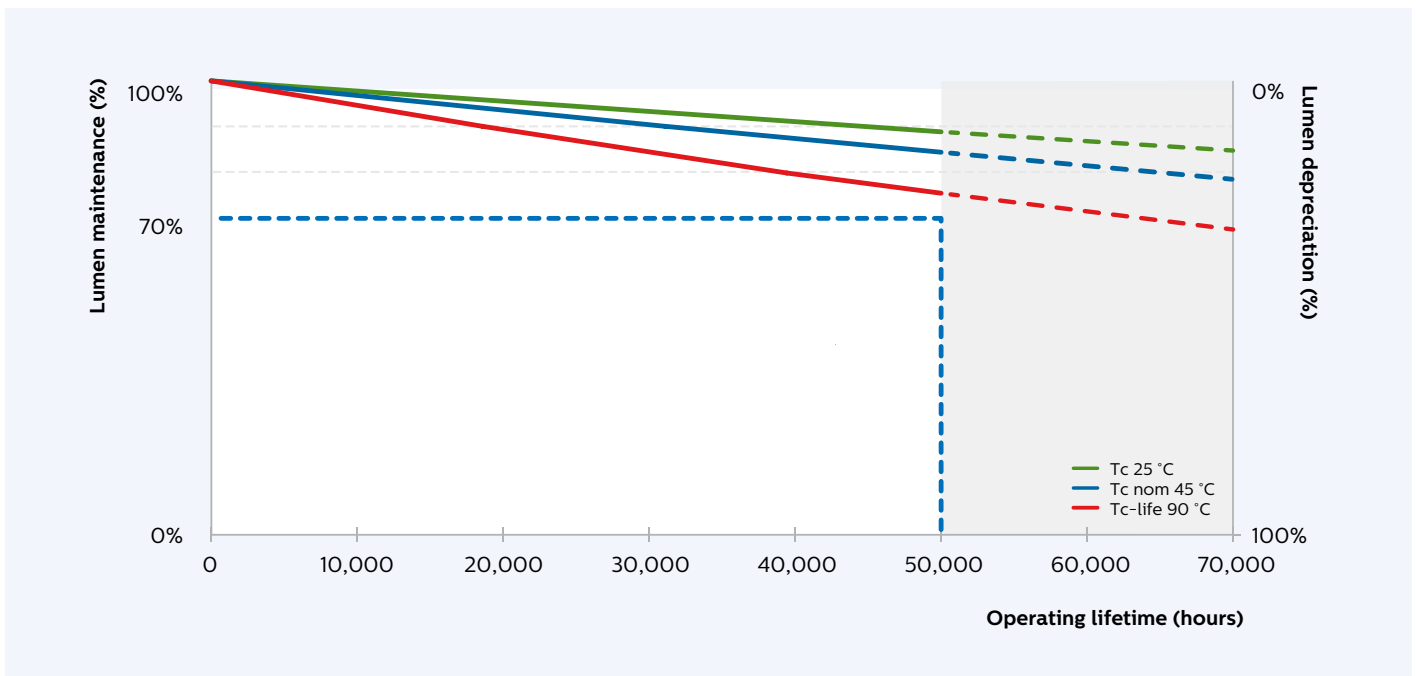


Example lumen maintenance as a function of operating hours for B10 and B50.

Lumen maintenance for different Tc temperatures

Lumen maintenance is also affected by temperature. Lowering the Tc will increase the lumen maintenance time. Below example graph is showing the lumen maintenance (% of initial lumen over time) for B50 (50% of the population) at 1 life and three different Tc temperatures (Tc 25 °C, nominal and life).

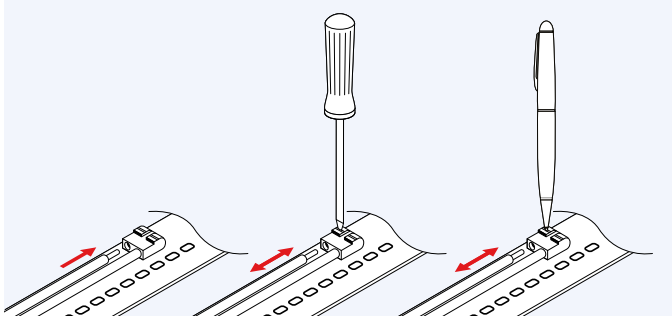
Please look up the actual lumen maintenance graph in the associated datasheet of the Fortimo LED module you are using.



Example lumen maintenance as a function of operating hours at different Tc values.

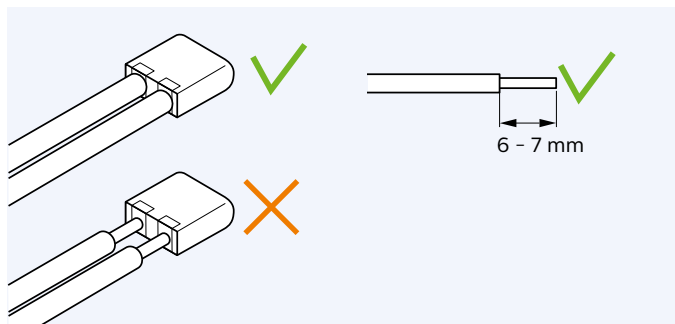
Note: these graphs are lifetime predictions based on LM80 data; no warranty outside specified lifetime specifications.

Tips for assembly and installation

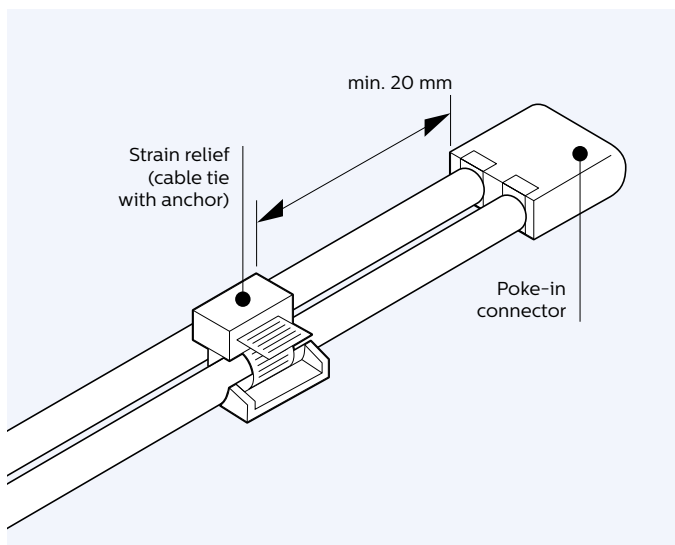


Inserting solid conductor via push-in termination.

Insert/Remove the stranded conductor by lightly pushing on push button, e.g. using a tool or e.g. a ball point (pen).



Wire insertion and strip length.



Strain relief.



Warning

Do not service the system when the mains voltage is connected. This includes connecting or disconnecting the cable.

Inserting and removing the cables

Conductor insertion and release

All wires must be pushed firmly into the contact wire opening. The wire can be released by pushing the release button.

Wire insulation

The wires must be fully inserted such that the wire insulation is inserted into and surrounded by the end of the housing (no bare wire should be visible).

Wire termination depth

The required wire termination depth on the LED module connector is achieved when the wire, with stripped insulation (by hand or machine) to the indicated length stated in the **LED module datasheet**, ensures a solid connection. For the driver connector the required wire termination depth is stated in the **driver datasheet**. Check both LED module and driver datasheets for information on www.philips.com/technology.

Strain relief

It is important to add a strain relief to the wiring of the connector from driver to LED Linear module and consider this from LED module to LED module when the length of the cable is more than 15 cm.



Warning

- The contacts and housings are not repairable.
- DO NOT use damaged or defective contacts or housings.
- Do not apply mains power directly to a LED Linear module!
- Do not touch, attach or detach LED modules in a live system.

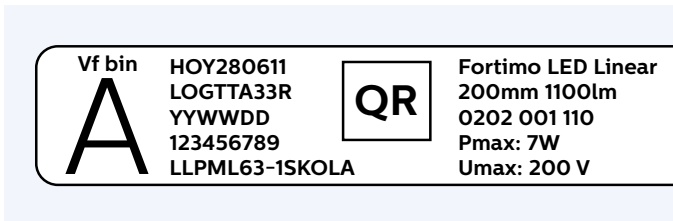
Note: for light quality reasons **do not mix different bins** in one LED Linear system (system being modules on one driver). Luminaires from different bins, but having the same bin within one system (e.g. luminaire), will perform similar on color and lumen. Meaning luminaire X with bin 'A' will appear equal to luminaire Y with bin 'C'.

Binning

In order to provide a high quality LED light product at economical attractive price Philips has created high quality LED light by ensuring correct mixing of the LED bins within each LED module. For selected LED Linear modules there are not one, but two two bins, based on **forward voltage (Vf)** only. Philips Fortimo LED Linear does not require bins on flux nor color, which is convenient for stock keeping and assembly. Please check the datasheet of the LED module you use if one or two bins apply.

Why address the issue of LED binning

It is important to understand binning because it is very important in LED system design. As in other semiconductor manufacturing processes, in the production of LEDs the number of parameters of the epitaxy process is very large and the process window is small (for example, the temperature must be controlled to within 0.5 °C across the wafer at temperatures of ~800 °C). The fact that it is difficult to achieve such a high degree of control means that the properties of the LEDs may vary significantly within single production runs and even on the same wafer. To obtain consistency for a given application, binning (= selection in bins, groups of components like LEDs with similar specifications) is mandatory. Binning involves characterizing the LEDs on the basis of measurement and subsequently categorizing them into several specific bins. To keep the cost per LED down, LED manufacturers need to sell the full production distribution. At the same time they cannot guarantee the availability of all bins at all times. There is a trade-off between logistics and cost price on the one hand, and the application requirements on the other. The advantage of binning is that there will only be a limited need for LED module pairing by the OEM. In the near future Philips might omit the offering of bins, having only one bin per module type.



Example label on LED Linear module indicating bin A.

How to... Recognize the bin of my LED Linear module

Fortimo LED Linear is labeled and packaged in maximum two **voltage bins (Vf)**. These bins are clearly indicated with letters. For example 'A' and 'C' or 'E' and 'F'. In order to ensure optimum flux and color uniformity, we strongly advise not to mix two different bins in the same luminaire (system).

The Vf bin is clearly **indicated on the label**, as shown in the example below. All LED modules packaged in one box (MOQ) will be from the same bin.

ElectroStatic Discharge (ESD)

Introduction to ESD

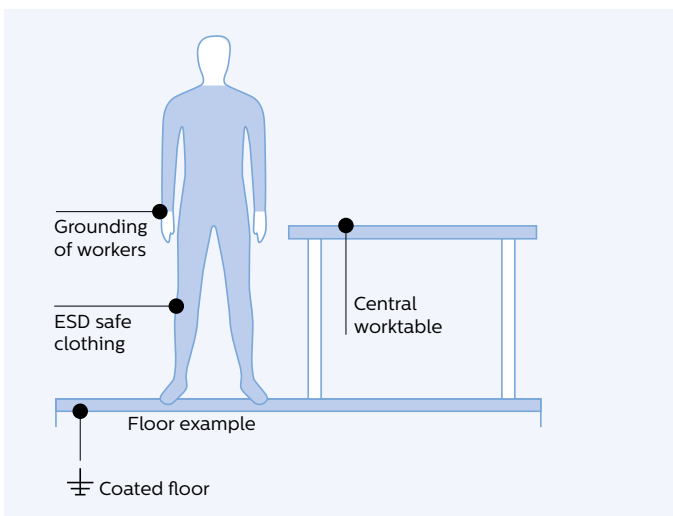
It is generally recognized that ElectroStatic Discharge (ESD) can damage electronic components, like LED chips, resulting in early failures. Professional users of electronic components are used to implement extensive and disciplined measures to avoid ESD damage in their finished end products. Now, with the introduction of LED electronic components for lighting a new breed of users, such as OEMs and installers, are exposed to handling and manufacturing with LED electronic components.

ESD requirement links to product specification

Philips designed their Fortimo LED Linear products rather robust against ESD. Specifications of the LED Linear module's maximum contact discharge level and air discharge level, according to IEC 61000-4-2 (HBM 150 pF + 330 Ω), are stated in the associated datasheets of the LED module you use, on www.philips.com/technology.

ESD in your production environment

The purpose of an effective ESD-control strategy is the reduction of assembly line failures, final inspection failures and field failures. Depending on the immunity level of the LED module (product specification) a minimum set of measures has to be taken when handling LED modules. ESD measures are required in a production environment where handling can exceed the ESD immunity level (product specification). Furthermore ESD vulnerable products should be packed and shipped in ESD safe packaging. Note that air humidity has an important influence on electrostatic charge build-up.



Example of ESD measures, which could contain wrist bands, ESD-safe shoes and floor, ESD friendly materials and ESD-control plan general awareness.

How to... Meet the ESD requirement

Advice is to make use of ESD consultancy to determine how the ESD requirement can be met. One should think of an ESD control plan and ESD adequate equipment. Independent ESD consultancy companies can advise and supply adequate tools and protection guidance. For example Philips Innovation Services can provide that consultancy. More information can be found in the section entitled 'Contact details'.

Servicing and installing luminaires

It is highly recommended that Installers are informed that they should not touch the LED components and should use earthed arm-straps to avoid ESD damage during installation and maintenance.

Controllability



OccuSwitch DALI.



ActiLume DALI gen2.



ActiLume DALI controller.



ActiLume gen2 Multi Sensor & ActiLume G2 Industry Sensor.



ToBeTouched DALI.

Dimming

The Philips Fortimo LED Linear systems are complemented with a range of Xitanium drivers. These drivers are available in various dimming protocols:

- TouchDim & DALI protocol.
- 1-10 V dim protocol.
- Non-dimmable (Fixed Output) drivers.

Please refer to the Xitanium Indoor Linear LED driver Design-In Guide in the download section on www.philips.com/technology for detailed information.

Stand-alone Philips systems

For DALI systems we recommend:

- OccuSwitch DALI.
- ActiLume DALI.
- ToBeTouched DALI.
- Dynalite solutions (via Philips VAR network).

For 1-10 V systems or fixed-output switching we recommend:

- OccuSwitch (switch on/off using fixed-output drivers).
- ActiLume 1-10 V (for movement-detection and daylight-sensing systems).

Visit www.philips.com/technology to find out more about our entire portfolio of control products.

Quality, compliance and approval

Energy efficiency labelling

The European Regulation 1194/2012, Directive 2009/125/EC, is one of the strategic priorities of the IEC association. The first step is the self-declaration of performance data for LED modules and LED luminaires through specific data put on internet to provide the market comparable information between them, which allow the raising of the level of quality of the products placed.

The Fortimo LED Linear product family is in accordance with European Regulation 1194/2012. The individual labeling of each product on which this statement is applicable can be found in the Performance Characteristics for Fortimo LED Linear systems in the download section on www.philips.com/technology.

Chemical compatibility

In the current market medium power LEDs exist, containing a silver-finished (Ag) Lead frame. The lead frame finish is sensitive to pollution and or corrosion when exposed to Oxygen and certain Volatile Organic Components [VOCs]. Examples of VOCs are substances containing Sulfur or Chlorine. In that case parts of the lead frame may blacken, which will impair the lumen output or the color point of the LED light. Materials that are known to have a higher risk to be a source of Sulfur and Chlorine are for example **natural rubbers** used for **cables, cable entries or sealing**, or **corrugated carton**. Also be careful using **adhesives, cleaning agents**, coatings and applications in **aggressive (corrosive) environments**.

We recommend ensuring that the direct environment of these LEDs in the luminaire does not contain materials that can be a source of Sulfur or Chlorine, for optimal reliability of the LED, LED module and/or LED luminaire. Furthermore, make sure that the products with these LEDs are not stored or used in vicinity of sources of Sulfur or Chlorine, and the production environment is also free of these materials. Also avoid cleaning of the LED products with these types of LEDs with abrasive substances, brushes or organic solvents like Acetone and TCE.

Applications of the product in industry and heavy traffic environment should be avoided in case of risk of ingress of Sulfur and Chlorine from the environment.

Chemical Name	Normally used as
Acetic acid	Acid
Hydrochloric acid	Acid
Nitric acid	Acid
Sulfuric acid	Acid
Ammonia	Alkali
Potassium hydroxide	Alkali
Sodium hydroxide	Alkali
Acetone	Solvent
Benzene	Solvent
Dichloromethane	Solvent
Gasoline	Solvent
MEK (Methyl Ethlyl Ketone)	Solvent
MIBK (Methyl Isobutyl Ketone)	Solvent
Mineral spirits (turpentine)	Solvent
Tetracholorometane	Solvent
Toluene	Solvent
Xylene	Solvent
Castor oil	Oil
Lard	Oil
Linseed oil	Oil
Petroleum	Oil
Silicone oil	Oil
Halogenated hydrocarbons (containing F,Cl,Br elements)	Misc
Rosin flux	Solder flux
Acrylic tape	Adhesive
Cyanoacrylate	Adhesive

The Philips LED Linear family makes use of LEDs with above explained type of lead frame. Therefore above recommendations apply for the Fortimo LED Linear modules. Philips Fortimo LED Linear systems comply with the standards shown in below paragraphs.

A list of chemicals, often found in electronics and construction materials for luminaires that should be avoided, is provided in the table on the left. Note that Philips does not warrant that this list is exhaustive since it is impossible to determine all chemicals that may affect LED performance. These chemicals may not be directly used in the final products but some of them may be used in intermediate manufacturing steps (e.g. cleaning agents). Consequently, trace amounts of these chemicals may remain on (sub) components, such as heat sinks. It is recommended to take precautions when designing your application.

In case of questions on compatibility of materials or applications of the product please contact your Philips representative for application support.

Compliance and approval marks

The Fortimo LED Linear family is ENEC approved and comply with CE regulations. The relevant standards are summarized at the end of this chapter. To ensure luminaire approval, the conditions of acceptance need to be fulfilled. Details can be requested from your local sales representative. All luminaire manufacturers are advised to conform to the international standards of luminaire design (IEC 60598-Luminaires).

Ingress Protection – IP rating, humidity and condensation

The Fortimo LED Linear systems are build-in systems and therefore have no IP classification. They are not designed for operation in the open air. The OEM is responsible for proper IP classification and approbation of the luminaire. The Fortimo LED Linear modules have been developed and released for use in damp locations and **not for locations where condensation is present**. If there is a possibility that condensation could come into contact with the modules, the system/luminaire builder must take precautions to prevent this.



Photobiological safety

The lamp standard, IEC 62471 ‘Photobiological safety of lamps and lamp systems’ gives guidance on evaluating the photobiological safety of lamps and lamp systems including luminaires. It specifically defines the exposure limits, reference measurement technique and classification scheme for the evaluation and control of photobiological hazards from all electrically powered incoherent broadband sources of optical radiation, including LEDs, in the wavelength range from 200 nm to 3000 nm. Example measurement results for LED Linear products are given below. Based on these measurements, conclusion is no safety measures are required. This conclusion (verdict) is added to each datasheet.

Item	Result: Risk group
Actinic UV	Exempt
Near-UV	Exempt
Retinal Blue Light	Exempt
Retinal Blue SmallScr	Exempt
Retinal thermal	Exempt
Infrared Eye	Exempt

Please refer to the datasheet of the module you use.

Blue Light Hazard

From the nature of most LEDs applying blue light, emphasis has been put on the hazard in terms of Photo Biological Safety (PBS). Evaluation by the European lighting industry (ELC, Celma) has concluded LED light sources are safe for customers when used as intended. Nevertheless luminaire makers have to comply with Luminaire standards including PBS. To avoid extensive retesting, the market prefers to build on the test conclusions of the LED (module) suppliers. The testing conclusion then will be expressed in Risk Groups (RG), where **RG0 and RG1 do not require** marking and/or specific action for the OEM (as compared to RG2 and 3). The Certificates with the verdict of the LED products can be found in the download section of www.philips.com/technology.

Some facts on blue light

- All light – visible, IR, UV – causes fading.
- It has long been known that blue light causes fading in yellow pigments.
- LEDs do not produce more blue light than other sources by its nature.
- Blue light content is relative to color temperature, not to light source.

“Often, investigations into the effect of short-wavelength radiation—be it on humans or artwork—suggest that LEDs are dangerous because they emit more blue light than other sources like incandescent bulbs or CFLs. While it is true that most LED products that emit white light include a blue LED pump, the proportion of blue light in the spectrum is not significantly higher for LEDs than it is for any other light source at the same correlated color temperature (CCT).”

For more details follow the link of the U.S. Department of Energy.
http://apps1.eere.energy.gov/buildings/publications/pdfs/ssl/opticalsafety_fact-sheet.pdf

System disposal

We recommend that the Fortimo LED Linear modules and its components are disposed of in an appropriate way at the end of their (economic) lifetime. The modules are in effect normal pieces of electronic equipment containing components that are currently not considered to be harmful to the environment. We therefore recommend that these parts are disposed of as normal electronic waste, in accordance with local regulations.

Relevant Standards

CE and ENEC

The Fortimo LED Linear modules carry ENEC, recognized by the ENEC marking on each LED module. Next to that we publish relevant certificates (partly in the download section on www.philips.com/technology).

Safety

IEC/EN 62031	LED modules for general lighting - safety specifications.
IEC 62471	Photobiological safety of lamps and lamp systems.

Philips Xitanium driver

IEC/EN 61347-1 Lamp control gear.

Electromagnetic compatibility

(tested with LED Linear modules, cables and Philips Xitanium driver)

EN 55015, CISPR 55015	Limits and methods of measurement of radio disturbance characteristics of electrical lighting and similar equipment.
IEC/EN 61000-3-2	Limits for harmonic current emissions (equipment input current <16 A per phase).
IEC/EN 61547	Equipment for general lighting purposes - EMC immunity requirements.

Environmental

The product is compliant with European Directive 2002/95/EC of January 2003 on Restriction of the Use of Certain Hazardous Substances in Electrical and Electronic Equipment (RoHS).

Contact details and suggested suppliers

Philips Fortimo LED Linear systems

www.philips.com/technology

Or contact your local Philips sales representative.

Philips PinS ESD support

The Philips corporate EMC competence centre is a leading provider of approbation and consultancy services.

www.innovationservices.philips.com

Phone: +31 (0) 40 27 46214

The following are suggestions of products that can be used with the Philips Fortimo LED Linear system. Reference to these products does not constitute their endorsement by Philips. Philips makes no warranties regarding these products and assumes no legal liability or responsibility for loss or damage resulting from the use of the information herein.

ESD-related material and tool suppliers

Amcatron Technology Co Ltd

www.amcatron.com

Botron Company Inc.

www.botron.com

Desco

www.desco.com

Static Solutions Inc.

www.staticsolutions.com

Further reading suggestions

Reliable Planning with LED Lighting

ZVEI - 3/1/2014

www.zvei.org/en/association/publications/Pages/Reliable-Planning-LED.aspx

Electromagnetic Fields (EMF) of Luminaires

ZVEI - 3/1/2011

www.zvei.org/en/association/publications/Pages/Electromagnetic-Fields-EMF-of-Luminaires.aspx

Photobiological Safety of Lighting Products

ZVEI - 11/1/2012

www.zvei.org/en/association/publications/Pages/Photobiological-Safety-of-Lighting-Products.aspx

Optical Safety of LEDs

US Department of Energy - 11/6/2013

apps1.eere.energy.gov/buildings/publications/pdfs/ssl/opticalsafety_fact-sheet.pdf

Appendix

Appendix A: Fluorecent tube reference table

840	W	mm	ft	lm	lm/ft	lm/W	Tcold
TL5 HE	14	549	2.0	1350	691	96	@35 °C
TL5 HE	21	849	3.0	2100	695	100	@35 °C
TL5 HE	28	1149	4.1	2900	709	104	@35 °C
TL5 HE	35	1449	5.2	3650	708	104	@35 °C
TL5 HO	24	549	2.0	1950	998	89	@35 °C
TL5 HO	39	849	3.0	3500	1158	92	@35 °C
TL5 HO	54	1149	4.1	5000	1223	93	@35 °C
TL5 HO	49	1449	5.2	4900	950	99	@35 °C
TL5 HO	80	1449	5.2	7000	1357	88	@35 °C
TL8	14	375	1.3	860	644	61	@25 °C
TL8	15	437	1.6	1000	643	67	@25 °C
TL8	18	590	2.1	1350	643	75	@25 °C
TL8	30	895	3.2	2400	754	80	@25 °C
TL8	23	970	3.5	2050	594	89	@25 °C
TL8	36	970	3.5	3100	898	86	@25 °C
TL8	38	1047	3.7	3350	899	88	@25 °C
TL8	36	1199	4.3	3350	785	93	@25 °C
TL8	58	1500	5.3	5200	974	90	@25 °C
TL8	70	1764	6.3	6200	988	89	@25 °C
PL-L	18	220	0.8	1200	1533	75	@25 °C
PL-L	24	315	1.1	1800	1606	82	@25 °C
PL-L	36	410	1.5	2900	1988	90	@25 °C
PL-L	40	535	1.9	3500	1838	87	@25 °C
PL-L	55	535	1.9	4800	2521	87	@25 °C
PL-L	80	565	2.0	6000	2984	75	@25 °C

Data gathered from Philips datasheets, available on several websites..

Appendix B: Example wiring schematics

Example 1: replace 4x 14W T5-HE for white box (uniform)

Typical specs

- Closed, uniform diffuse exit window, ~2 ft long luminaire
- 1350 lm per lamp, 675 lm/ft and 96 lm/W
- 8 ft summarized total tube length, 5400 lm from lamps

Looking into the conversion table, we suggest the following:

- **Item 1a**, at nominal current LED Line 650 lm/ft
- **Item 2a**, select LV system (touch safe, with SELV driver) or HV system (best TCO)
- **Item 3**, Commercial Leaflet shows the released combinations operated at their nominal current



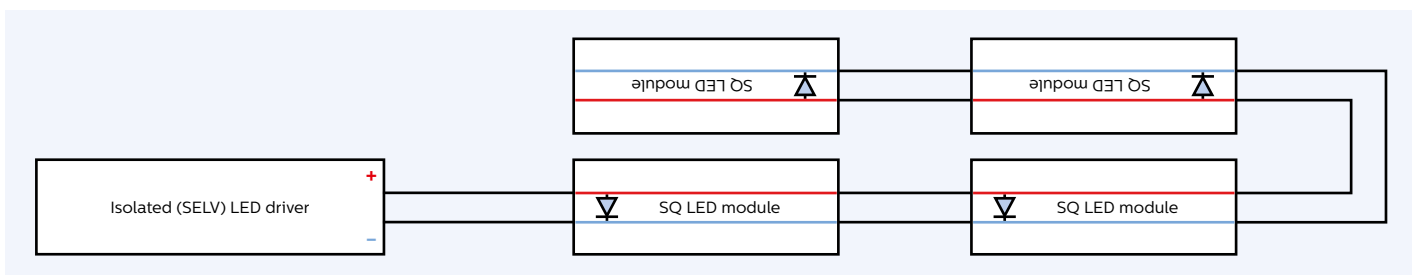
As it is an area application, let's choose LED Line SQ HV/ LV. This is a **hybrid** module, suitable to be used with isolated (SELV) drivers (LV system) and non-isolated drivers (HV system).

- For **LV**, using LED Line SQ 1250 lm, you require 4 of these LED SQ modules. In the Commercial Leaflet it can be found that for 4 pieces **36 W isolated driver** can be used.
- For **HV**, using LED Line SQ 1250 lm, you require 4 of these LED SQ modules. In the Commercial Leaflet it can be found that for 4 pieces **36 W non-isolated driver** can be used.

For controllability it is possible to select Dali, Touch-Dim, 1-10 V or Non-dimmable.

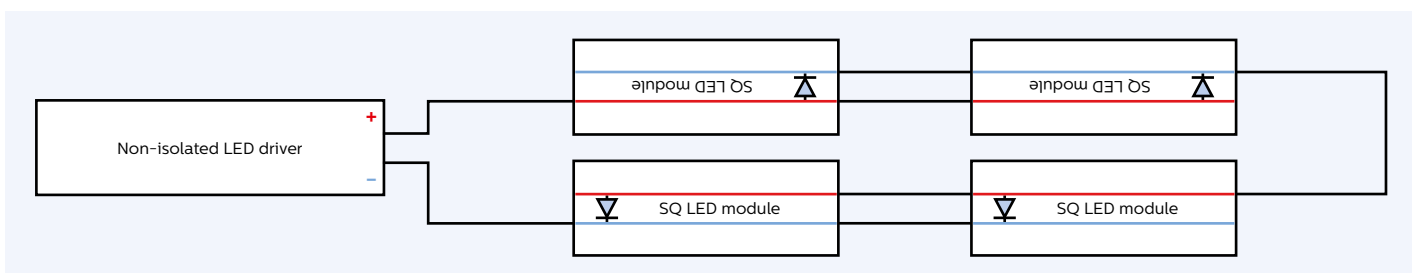
Feel free to explore other combinations and settings as well.

LV scenario	Line SQ 4x 1 ft 1250 lm LV	Spec fits driver window? 36 W
$I_{drive} = I_{nom} \times \# \text{ boards}$	$I_{drive} = 0.185 \text{ A} \times 4 = 0.740 \text{ A}$. $R_{set2} = 2050 \Omega$	$I_{out} = 0.3..1 \text{ A} = \text{ok}$
$V_{drive} = V_f$	$V_{drive} = 45.6 \text{ V}$	$V_{out} = 27..54 \text{ V} = \text{ok}$
$Power = I_{drive} \times V_{drive}$	$Power = 34 \text{ W}$ (@5000 lm & 145 lm/W)	$P_{out} = 11..37 \text{ W} = \text{ok}$



Example showing combination of hybrid LED SQ modules in a LV system.

HV scenario	Line SQ 4x 1 ft 1250 lm LV	Spec fits driver window? 36 W
$I_{drive} = I_{nom} \times \# \text{ boards}$	$I_{drive} = 0.185 \text{ A} \times 2 = 0.370 \text{ A}$. $R_{set2} = 750 \Omega$	$I_{out} = 0.12..0.4 \text{ A} = \text{ok}$
$V_{drive} = (V_f \times \# \text{ modules}) / \# \text{ chains}$	$V_{drive} = (45.6 \text{ V} \times 4) / 2 = 93 \text{ V}$	$V_{out} = 50..110 \text{ V} = \text{ok}$
$Power = I_{drive} \times V_{drive}$	$Power = 34 \text{ W}$ (@5000 lm & 145 lm/W)	$P_{out} = 10..36 \text{ W} = \text{ok}$



Example showing combination of hybrid LED SQ modules in a HV system.

Example 2: replace 1x 36 W TL-D (or 1x 28 W T5-HE)

Typical specs

- Waterproof, ~4 ft long luminaire
- 3350 lm per lamp, 838 lm/ft and 93 lm/W
- 4 ft summarized total tube length, 3350 lm from lamps

As 838 lm/ft is between 650 lm/ft and 1100 lm/ft, we need to **tune the drive current (Itune)**.

Looking into the conversion table, we suggest the following:

- **Item 1a**, at lowered drive current LED Strip 1100 lm/ft or at elevated drive current LED Line 650 lm/ft
- **Item 2a**, select LV system (touch safe, with SELV driver) or HV system (best TCO)
- **Item 3**, Commercial Leaflet shows the released combinations operated at their nominal current

• For **LV** let's choose building block 1 ft 650 lm 3R LV2. You require 4x 1 ft of these LED modules. In the Commercial Leaflet it can be found that for 4 pcs a **36 W isolated driver** can be used.



- For **HV** let's choose building block LED Strip 2 ft 1100 lm 1R HV2. You require 2x 2 ft. In the Commercial Leaflet it can be found that for 2 pcs of 2ft LED module a **36 W non-isolated driver** can be used.

For controllability it is possible to select Dali, Touch-Dim, 1-10 V or Non-dimmable.

Feel free to explore other combinations and settings as well.

How to... Calculate tuned current (Itune)

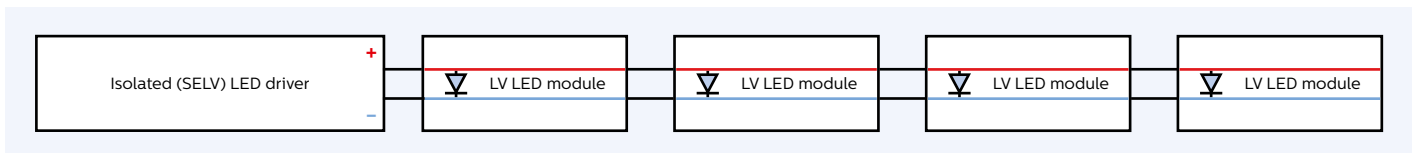
Example for 1ft 650 lm 3R LV2 LED module

1. Determine % of nominal flux
838 lm/ft / 650 lm/ft = 129% nominal flux
2. Lookup and interpolate via tuning table in datasheet
129% nominal flux requires ~190 mA

Example for 2 ft 2200 lm 1R HV2 LED Strip module

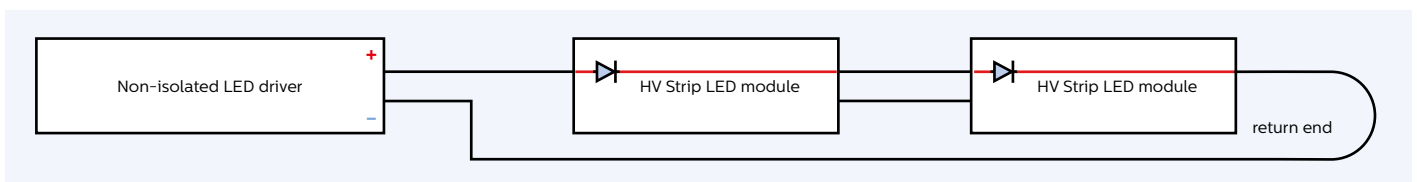
1. Determine % of nominal flux
2x 838 lm/ft / 2200 lm/ft = 76% nominal flux
2. Lookup and interpolate via tuning table in datasheet
76% nominal flux requires ~221 mA

LV scenario	Line 4x 1 ft 650 lm 3R LV2	Spec fits driver window? 36 W
Idrive = Itune x # boards	Idrive = 0.190 A x 4 = 0.760 A. Rset2 = 2100 Ω	Iout = 0.3..1 A = ok
Vdrive = Vf	Vdrive = 32 V	Vout = 27..54 V = ok
Power = Idrive x Vdrive	Power = 24 W (@3350 lm & 138 lm/W)	Vout = 27..54 V = ok



Example showing combination of 1 ft 650 lm 3R LV modules.

HV scenario	Strip 2x 2 ft 2200 lm HV2	Spec fits driver window? 36 W
Idrive = Itune	Idrive = 0.221 A. Rset2 = 374	Iout = 0.12..0.4 A = ok
Vdrive = Vf x # modules	Vdrive = 46 V x 2 = 92 V	Vout = 50..110 V = ok
Power = Idrive x Vdrive	Power = 20 W (@3350 lm & 166 lm/W)	Pout = 10..36 W = ok



Example showing LED Strip 2 ft 2200 lm HV modules.

Example 3: replace 2x 58 W TL-D (or 2x 49 W T5-HO)

Typical specs

- Batten, ~5 ft long luminaire
- 5200 lm per lamp, 1040 lm/ft and 90 lm/W
- 10 ft summarized total tube length, 10,400 lm from lamps

Looking into the conversion table, we suggest the following:

- **Item 1a**, at nominal drive current LED Strip 1100 lm/ft
- **Item 2a**, select LV system (touch safe, with SELV driver) or HV system (best TCO)
- **Item 3**, Commercial Leaflet shows the released combinations operated at their nominal current



- For **LV2** let's choose building block Strip 1100 lm/ft LV. You require 2x 1 ft and 4x 2 ft of these LED Strip modules.

In the Commercial Leaflet it can be found that for 10 ft a **75 W isolated driver** can be used.

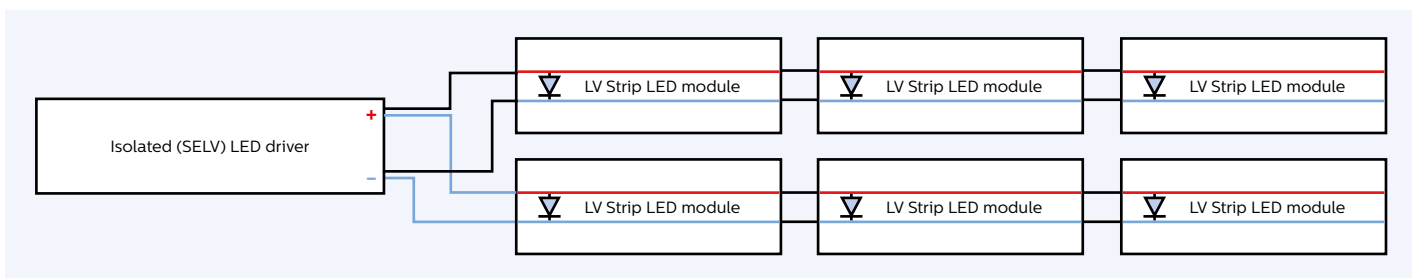
- For HV let's choose building block LED Line 2000 lm/ft 1R HV1. You require 1x 1 ft and 2x 2 ft.

In the Commercial Leaflet it can be found that for 5 ft a 110 W iXt non-isolated driver can be used.

For controllability it is possible to select Dali, Touch-Dim, 1-10 V or Non-dimmable.

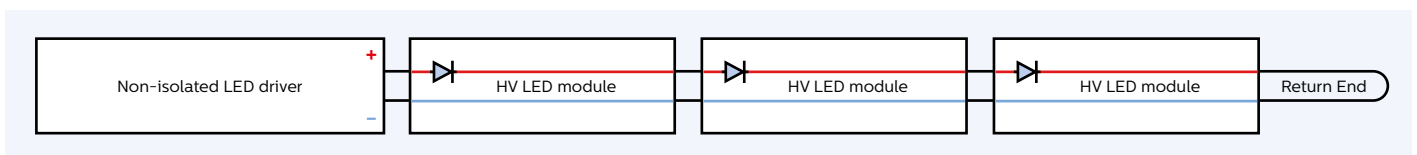
Feel free to explore other combinations and settings as well.

LV scenario	Strip 2x 1 ft 1100 lm & 4x 2 ft 2200 lm LV2	Spec fits driver window? 75 W
$I_{drive} = I_{nom} \times \# \text{ boards}$	$drive = 0.200 \text{ A} \times 2 + 0.400 \text{ A} \times 4 = 2 \text{ A}$. $R_{set2} = 27,000 \Omega$	$I_{out} = 0.7..2 \text{ A} = \text{ok}$
$V_{drive} = V_f$	$V_{drive} = 34 \text{ V}$	$V_{out} = 27..54 \text{ V} = \text{ok}$
$Power = I_{drive} \times V_{drive}$	$Power = 68 \text{ W}$ (@11,000 lm & 162 lm/W)	$P_{out} = 21..75 \text{ W} = \text{ok}$



Example showing combination of Strip 1ft 1100 lm LV with Strip 2 ft 2200 lm LV.

LV scenario	Line 1x 1 ft 2000 lm & 2x 2 ft 4000 lm HV1	Spec fits driver window? 110 W
$I_{drive} = I_{nom}$	$I_{drive} = 0.465 \text{ A}$ $R_{set2} = 1050$	$I_{out} = 0.2..0.6 \text{ A} = \text{ok}$
$V_{drive} = V_f \times \# \text{ modules}$	$V_{drive} = 32.6 + 65.2 \times 2 = 163 \text{ V}$	$I_{out} = 0.2..0.6 \text{ A} = \text{ok}$
$Power = I_{drive} \times V_{drive}$	$Power = 76 \text{ W}$ (@10,000 lm & 132 lm/W)	$P_{out} = 31..110 \text{ W} = \text{ok}$



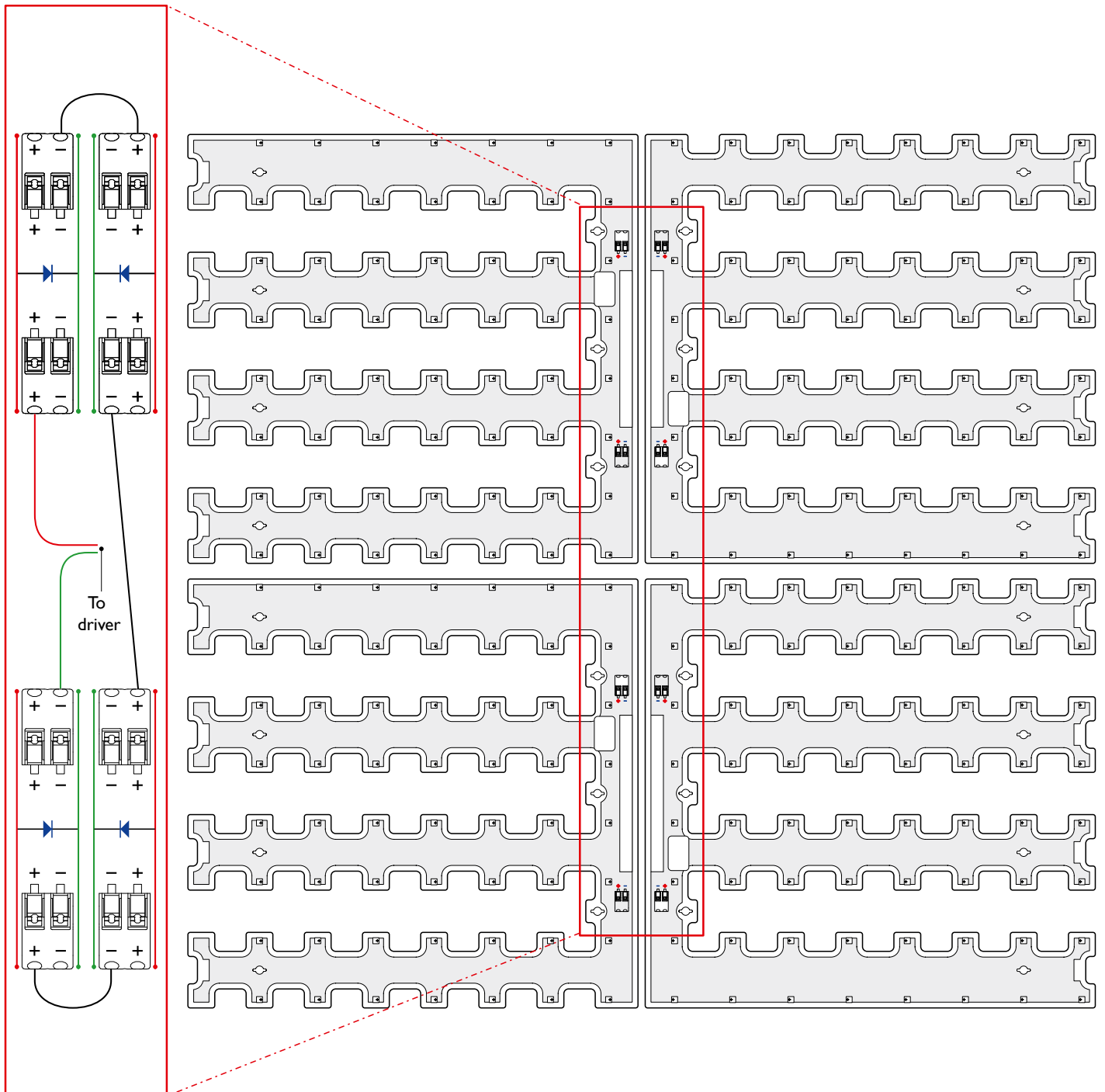
Example showing LED Line 1 ft 2000 lm 1R HV1 combined with LED Line 2 ft 4000 lm 1R HV1 modules.

Appendix C: Wiring examples for common fluorescent substitutions

All in series (4 x 1) – middle connection, requires 185 mA when connected to a 75 W non-isolated driver (non-SELV) 4x 1250 lm = 5000 lm for 4000 K.

Wiring diagram

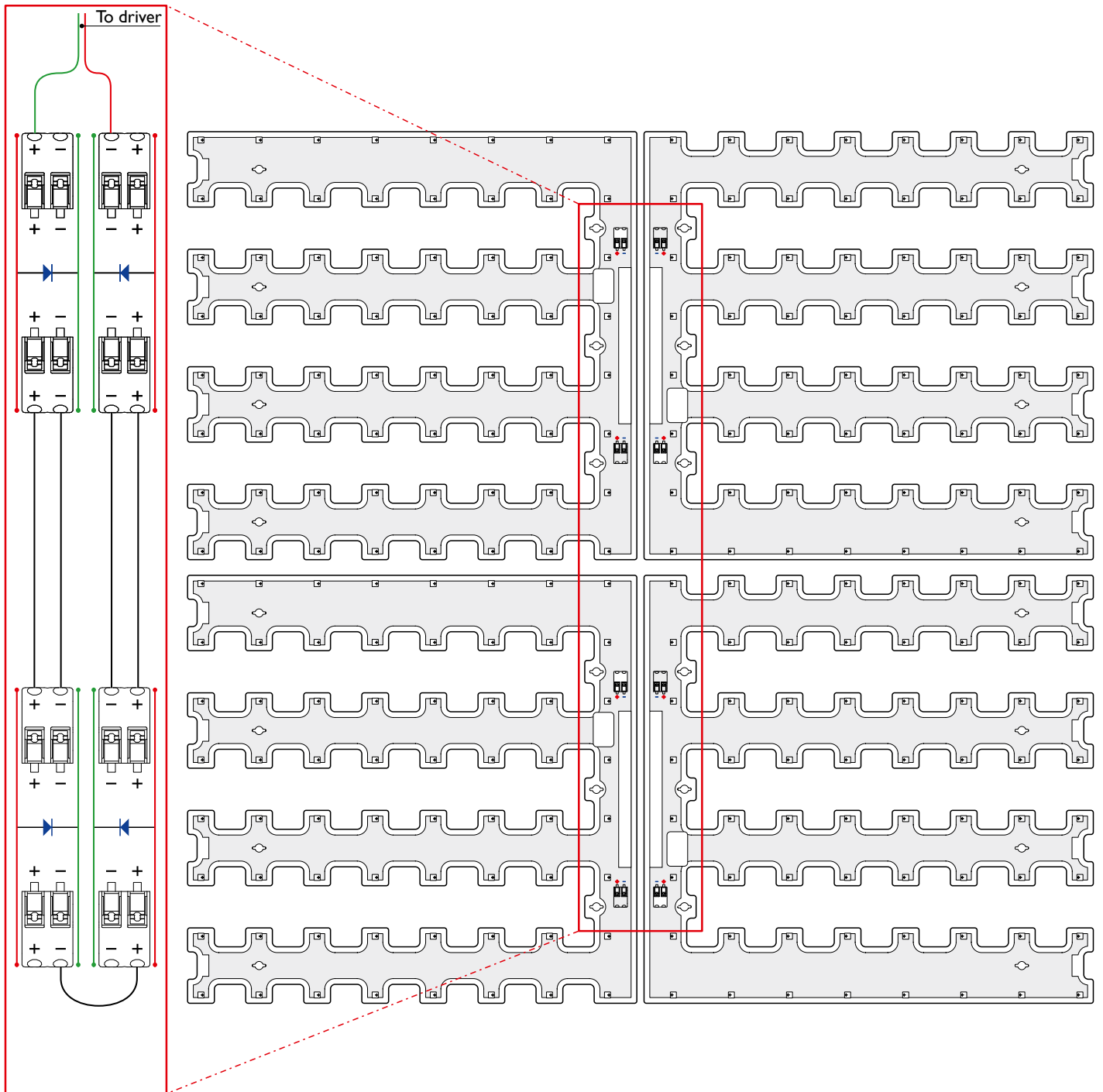
All in series — Middle connection



2 x 2 lay-out – side connection, requires 370 mA when connected to a 36 W non-isolated driver (non-SELV) 4x 1250 lm = 5000 lm for 4000 K.

2 x 2 connection — Side connection

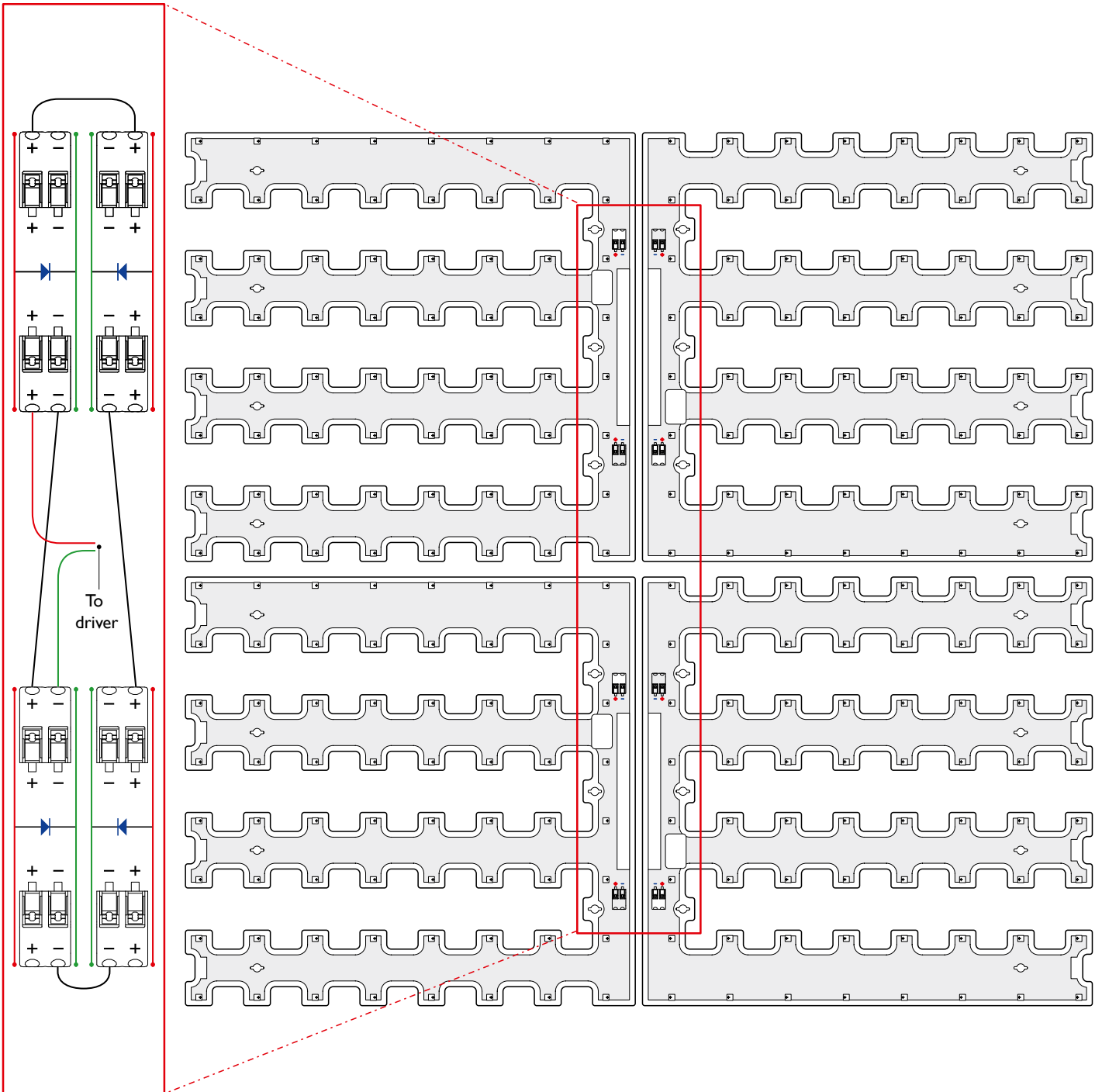
Wiring diagram



2 x 2 lay-out – middle connection, requires 370 mA when connected to a 36 W non-isolated driver (non-SELV) 4x 1250 lm = 5000 lm for 4000 K.

2 x 2 connection — Middle connection

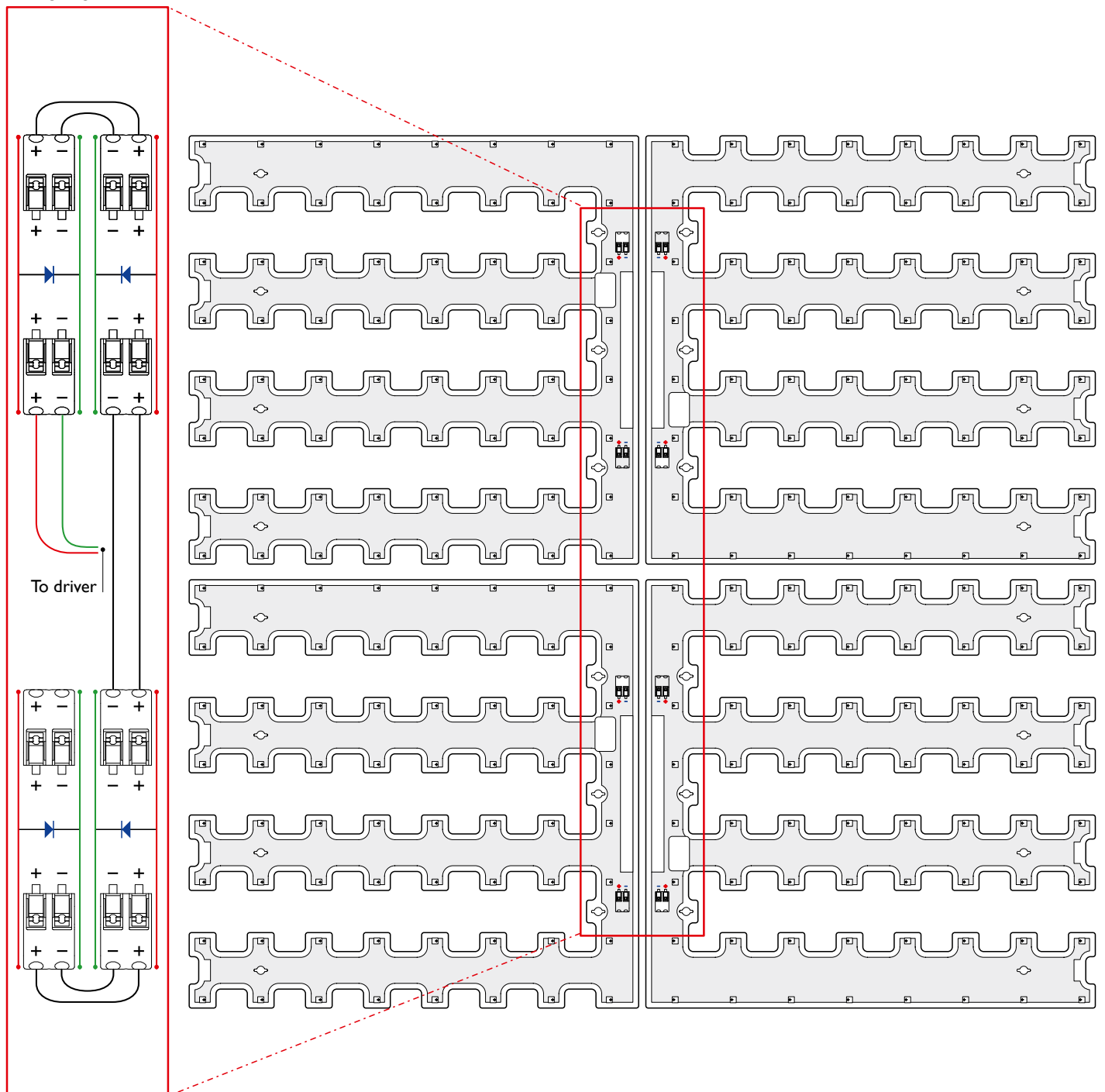
Wiring diagram



All in parallel (1 x 4) – middle connection, requires 740 mA when connected to a 36 W or 75 W isolated driver (SELV) 4x 1250 lm = 5000 lm for 4000 K.

All parallel — Middle connection

Wiring diagram



Disclaimer

Philips will perform the testing of the LED systems to high standards of workmanship. The tests are carried out with reference to the EN/IEC standards, if any, which are regarded by Philips as being of major importance for the application of the lamp gear and the lamp within the fixture for horticultural applications.

The design-in guide, regarding the testing and design in of the LED system provided by Philips, is not an official testing certificate, and cannot be regarded as a document for official release of the fixture. The OEM is liable for the official testing by a certified test body and all markings, such as CE and ENEC marks, on the fixture assembly.

The design-in guide is for information purposes only and may contain recommendations for detecting weak points in the design of the system (lamp – lamp gear – fixture), if any.

Specifically mentioned materials and/or tools from third parties are only indicative: other equivalent equipment may be used but it is recommended that you contact Philips for verification.

Philips will not be liable for unforeseen interactions of the proposed solutions when applied in the fixtures or applications using these fixtures. Philips has not investigated whether the recommendations are or will in the future be in conflict with existing patents or any other intellectual property right. Philips does not warrant that its recommendations are technically or commercially the best options.

Since the tests are only performed on one particular fixture provided by the customer, it will be treated as a prototype. This means that there is no statistical evidence regarding later production quality and performance of the lamp – lamp gear – fixture system.

As Philips does not have control over manufacturing of the fixtures, Philips cannot be held liable for the fixture assembly.

Philips will not accept claims for any damage caused by implementing the recommendations.

No warranty whatsoever may be claimed by the OEM with regard to the content and/or quality of the design-in guide or any other advice, or the conclusions and/or recommendations in the design-in guide or any other document, either express or implied, and Philips expressly disclaims any implied warranties of any kind, including without limitation any warranties of satisfactory quality, fitness for a particular purpose or non-infringement and any warranties regarding the design-in guide or any other advice or the use of the results of any activity performed while testing the fixture with respect to its correctness, quality, accuracy, completeness, reliability, performance or otherwise.

The OEM expressly agrees that test design-in guides are provided by Philips on an 'as is' basis and an 'as available' basis at customer's sole risk and expense. Philips shall not be liable for any lost profits or lost savings, indirect, incidental, punitive, special, or consequential damages whether or not such damages are based on tort, warranty, contract, or any other legal theory – even if Philips has been advised, or is aware, of the possibility of such damages.

The OEM must bring any claim for damages within ninety (90) days of the day of the event giving rise to any such claim, and all lawsuits relative to any such claim.

