

# Lumiblade OLED Panel Brite FL300 ww



## A truly functional OLED light

With the Lumiblade OLED Panel Brite FL300 ww Philips brings OLED lighting even closer to functional lighting applications. Featuring the most advanced OLED technologies such as Thin-Film Encapsulation and improved thermal management, the 12 x 12 cm OLED shines in a league of its own. With a luminous flux of up to 300 lumen, the Brite FL300 ww is the world's brightest commercially available OLED panel<sup>1</sup>.

The Brite FL300 ww is available in three integration levels. This makes it the ideal building block for every OLED lighting application in the area of functional lighting.

## Benefits

- Brightest OLED panel commercially available with up to 300 lumen and up to 50 lm/W.
- Available in 3,000 K.
- Thin-Film Encapsulation for ultimate reliability.
- Integrated intelligence for easy and correct driver recognition. Compatible Lumiblade drivers available (including DALI, DMX and 0-10V).
- Available at three different integration levels.
- Ideal for general lighting applications.
- All the known advantages of OLED technology.

## Product features

- Low thicknesses of 1.4 to 3.0 mm.
- Up to 300 lm/panel, dimmable.
- Lumen efficacy up to 50 lm/W.
- CRI 80.
- Interface for intelligent device recognition with compatible drivers.

## Applications

Every OLED light-application that is commercially viable and easy to implement. Special light application for interior spaces that require beautiful and high performance lighting.

<sup>1</sup> Among white OLED lighting panels with lifetimes of L70 B50  $\geq$ 10khrs as of August 2014.

## Description

The Philips Lumiblade OLED Panel Brite FL300 ww is a flat light source. Focusing on general lighting applications, Philips Business Center OLED Lighting (BCOL) is developing products with a high lumen output at low costs for the mid- to long-term future. One significant step in this direction is the development of the Philips Lumiblade OLED Panel Brite FL300 ww which is available at three different integration levels.

## Introduction

Lumiblade is the brand name for OLED lighting at Philips. Lumiblade is a large-area diffuse light source. Unlike incandescent bulbs, which generate light by passing electricity through a wire, or fluorescent lamps, which pass current through a gas, OLED lighting works by passing electricity through one or more extremely thin layers of organic semiconductor material. These layers are sandwiched between one positively and one negatively charged electrode. The 'sandwich' is placed on a sheet of glass or other transparent material known as the substrate. The OLED is protected by a thin-film encapsulation and a flat heat spreader on the rear side. When current is applied to the electrodes, they inject positively and negatively charged holes and electrons. They recombine in the organic layer of the sandwich and create a brief, high-energy state called 'exciton'. As this layer returns to its original stable, non-excited state, the energy flows evenly through the organic film causing it to emit light.

Now, with the ambition of entering large-scale markets with highly sophisticated, standardized lighting technology, these products are defined around value propositions of the predominant markets and the market needs within the relevant applications.

In contrast to virtually all previous OLED products the Philips Lumiblade OLED Panel Brite FL300 ww is a product that for the first time attains the status of a general lighting application. As part of its ongoing product improvement, Philips will continue to develop the OLED Panel Brite FL300 ww to higher levels of performance in different shapes and sizes.

## This document refers to

Product	Integration Level	Product Code
Philips Lumiblade OLED Panel Brite FL300 ww N	1	9254.000.09400
Philips Lumiblade OLED Panel Brite FL300 ww N w/o Rset	1	9254.000.11400
Philips Lumiblade OLED Panel Brite FL300 ww A0	2	9254.000.09500
Philips Lumiblade OLED Panel Brite FL300 ww BI PCAL	4	9254.000.09600

## Standard compliance and sustainability

Philips Lumiblade products are environmentally friendly and provide efficient illumination without the use of hazardous materials .

This product is RoHS (EU Directive 2011/65/EU) compliant.



This product is compliant with UL8752. This product is UL recognized in file E353273.



Within the UL report certain 'Conditions of Acceptability' are mentioned as follows. When installed in the end product, the following shall be taken into consideration:

1. These products have been evaluated for connection to an isolated DC Class 2 constant current power source.
2. This product has been evaluated for use in dry or damp locations.
3. The OLED panel temperature shall not exceed 80 °C.
4. Input leads to the OLEDs are intended for factory installation only. Strain relief to be considered in the end-use application if leads are subjected to mechanical stress.
5. Input leads to the OLED panels shall be sufficiently separated from higher voltage conductors in the end-product in compliance with end-product requirements.

## System



Figure 1: Philips Lumiblade OLED Panel Brite FL300 ww BI PCAL

	Description	Remark
Indoor / outdoor	Indoor buildings	location with insignificant shock and vibration
Ingress protection		not applicable for OLED components
Protection class	Class III	IEC61140
OLED color	White	
Carrier material	Glass	
Housing frame	Plastic	
Housing frame color	Metallic, RAL 9006	Philips Lumiblade OLED Panel FL300 ww BI PCAL
Cable	AWG 26	Philips Lumiblade OLED Panel FL300 ww A0
Connector	5-pin Molex Picoblade	Philips Lumiblade OLED Panel FL300 ww BI PCAL
RoHS conform	Yes	2011/65/EU

## ENVIRONMENTAL

### Operational environmental conditions\*

Specification item	Value	Unit	Condition
Ambient temperature	+5 ... +40	°C	
Relative humidity	20 ... 80	%rH	no dew, no water spray, a maximum %rH of 60 is recommended.
Recommended internal operation temperature (temperature of OLED emission side)	≤ 50	°C	local temperature
Maximum internal operation temperature (temperature of OLED emission side)	≤ 80	°C	local temperature, for $t > 50$ °C lifetime will be reduced.

\* please refer to Thermal Characteristics on page 24 for more information.

The Brite FL300 ww is designed for indoor use only. Do not expose to water or excessive moisture.

### Storage conditions\*<sup>1</sup>

Specification item	Value	Unit	Condition
Ambient temperature	-40 ... +60	°C	
Relative humidity	5 ... 85	%rH	no dew, no water spray

\*<sup>1</sup> Recommended storage temperature is between 15 .. 25 °C with a humidity < 65 %rH.

### Transport conditions

Specification item	Value	Unit	Condition
Ambient temperature	-40 ... +60	°C	
Relative humidity	5 ... 85	%rH	no dew, no water spray

## MECHANICAL DIMENSIONS

Specification item		Value	Unit	Condition
Brite FL300 ww N	length	120.5 ± 0.2	mm	
	width	120.5 ± 0.2	mm	
	height	1.9 ± 0.15	mm	
	weight	36.4 ± 0.5	gram	
Brite FL300 ww N w/o Rset	length	120.5 ± 0.2	mm	
	width	120.5 ± 0.2	mm	
	height	1.3 ± 0.15	mm	
	weight	36.4 ± 0.5	gram	
Brite FL300 ww A0	length	127 ± 0.2	mm	dimensions excluding cable
	width	127 ± 0.2	mm	
	height	2.1 ± 0.2	mm	excluding Molex Picoblade plug
	diameter screw opening	3.2	mm	for fixation with M3 screws
	distance screw openings	127 ± 0.2	mm	
	weight	69 ± 0.8	gram	
Brite FL300 ww BI PCAL	length	127 ± 0.2	mm	dimensions excluding cable
	width	127 ± 0.2	mm	
	height	2.9 ± 0.2	mm	excluding Molex Picoblade plug
	diameter screw opening	3.2	mm	for fixing with M3 screws
	distance screw openings	127 ± 0.2	mm	
	weight	77 ± 2	gram	
Light emitting area	length	102.4	mm	Brite FL300 ww N Brite FL300 ww N w/o Rset Brite FL300 ww A0
	width	102.4	mm	
	area	104.86	cm <sup>2</sup>	
	length	102 ± 0.2	mm	Brite FL300 ww BI PCAL
	width	102 ± 0.2	mm	
	area	104.4	cm <sup>2</sup>	

## Diagrams of the Brite FL300 ww N and the Brite FL300 ww N w/o Rset (integration level I)

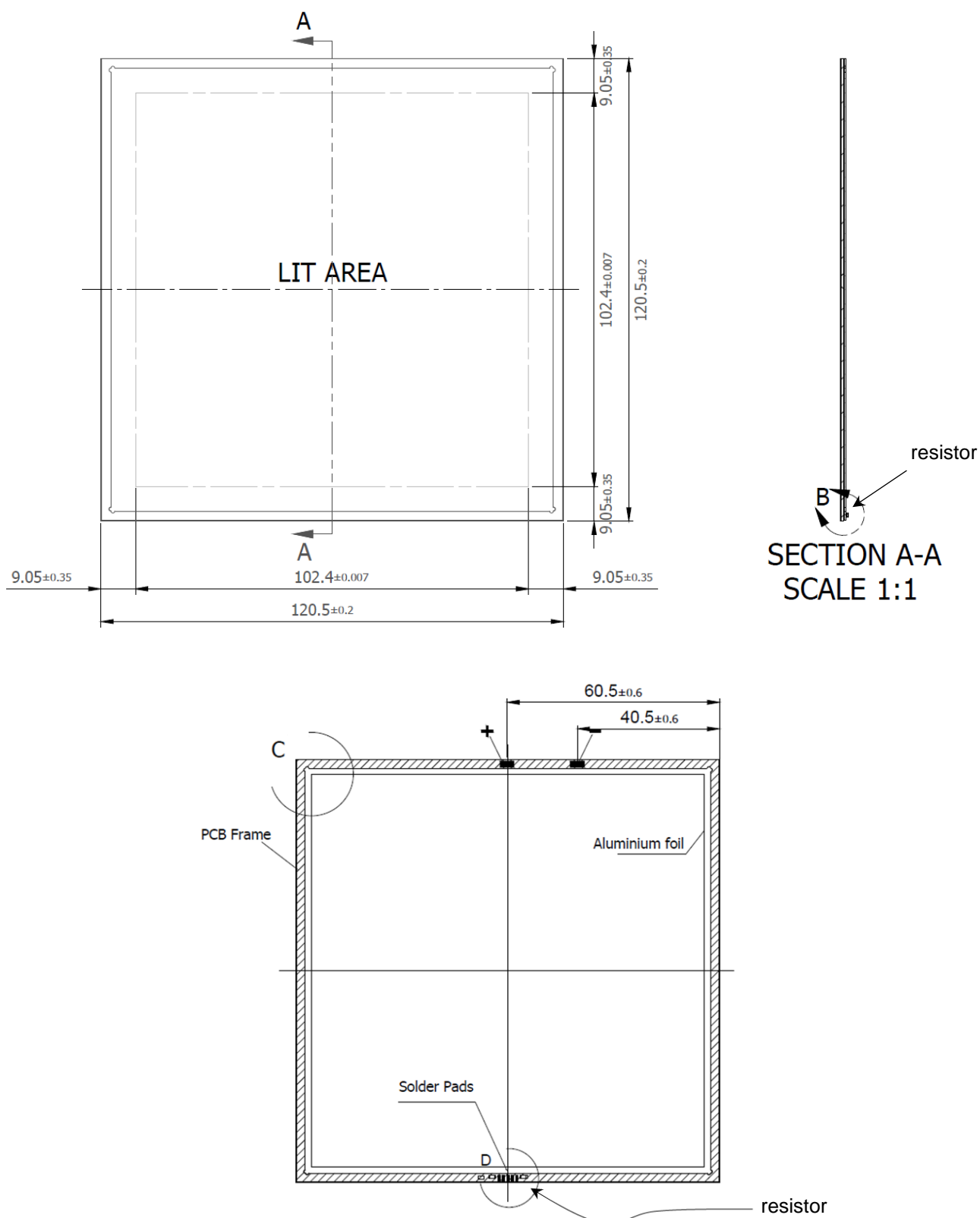


Figure 2: Brite FL300 ww N – front and side view (top), rear view (bottom) - integration level I

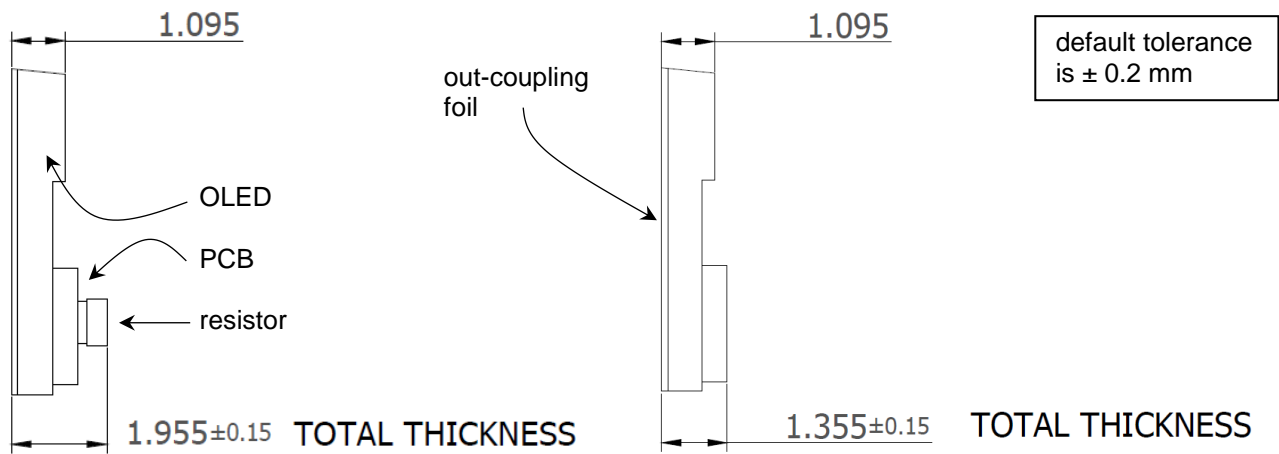


Figure 3: Detail B of Figure 2; Brite FL300 ww N (left), Brite FL300 ww N w/o Rset (right)

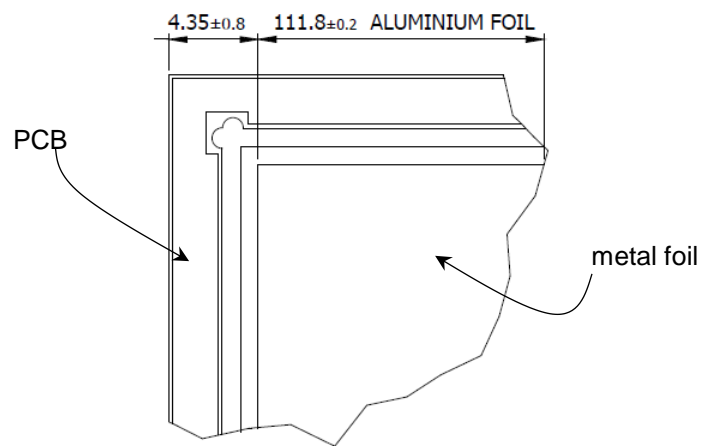


Figure 4: Detail C of Figure 2 – corner of PCB frame - integration level I

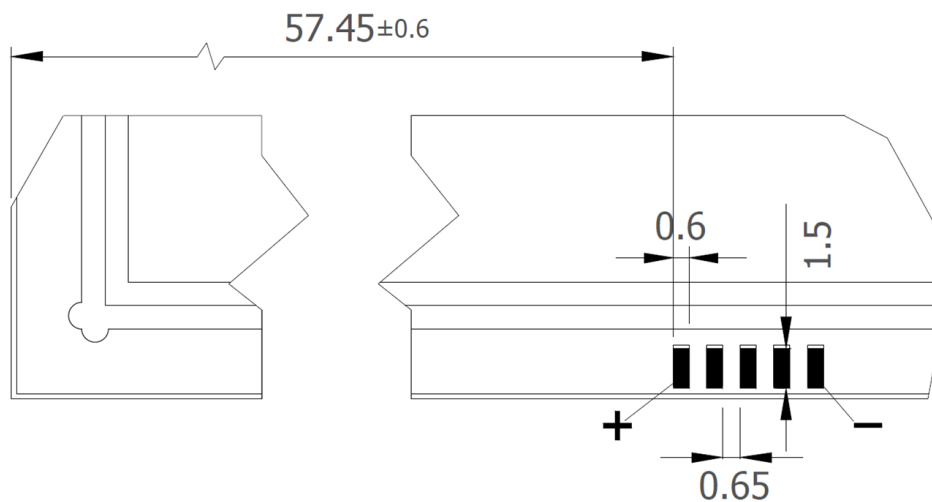


Figure 5: Detail D of Figure 2 – contact pads and distance to corner - integration level I



## Diagrams of the Brite FL300 ww A0 (integration level 2)

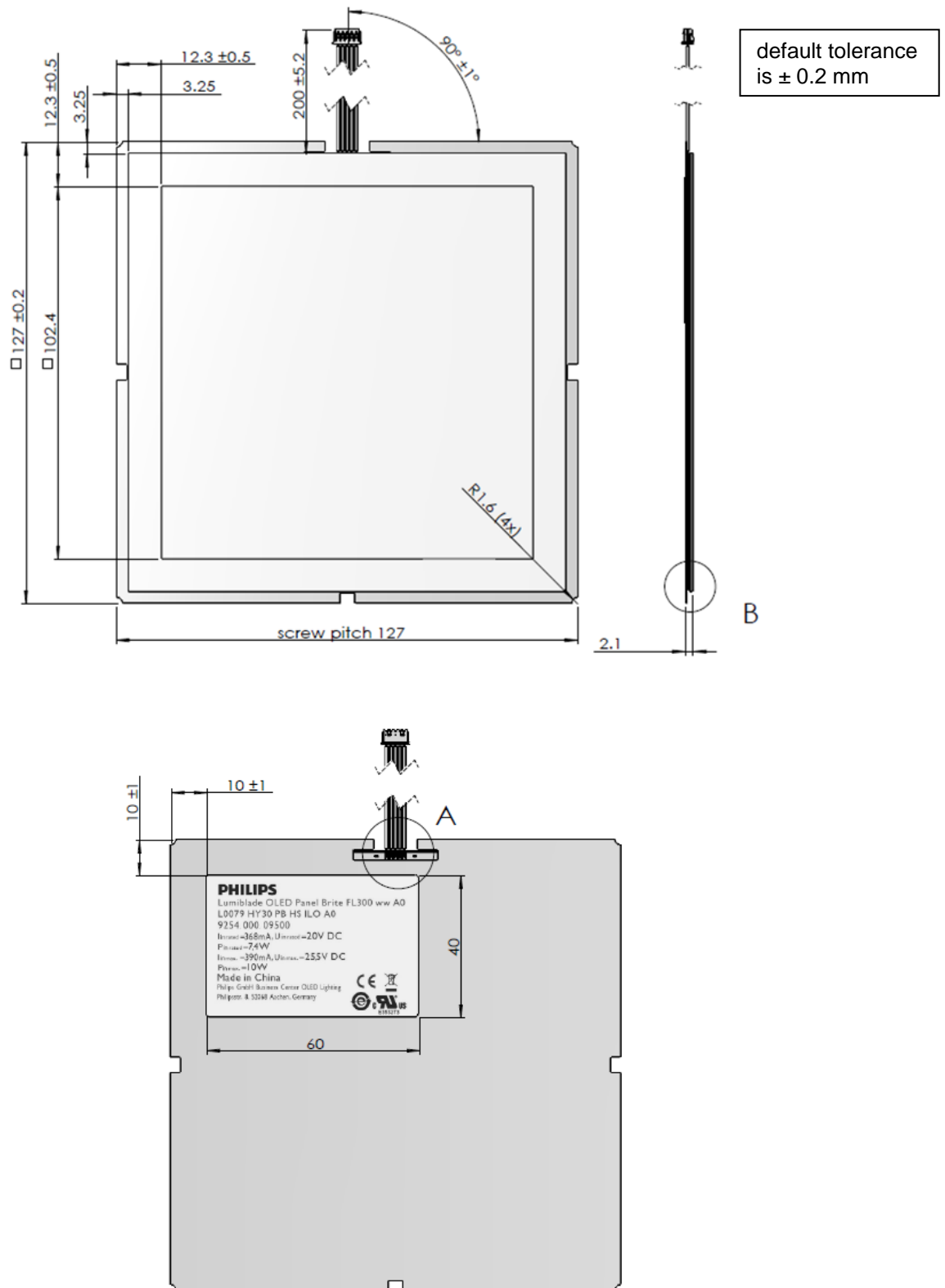


Figure 6: Brite FL300 ww A0 – front and side view (top), rear view (bottom) - integration level 2

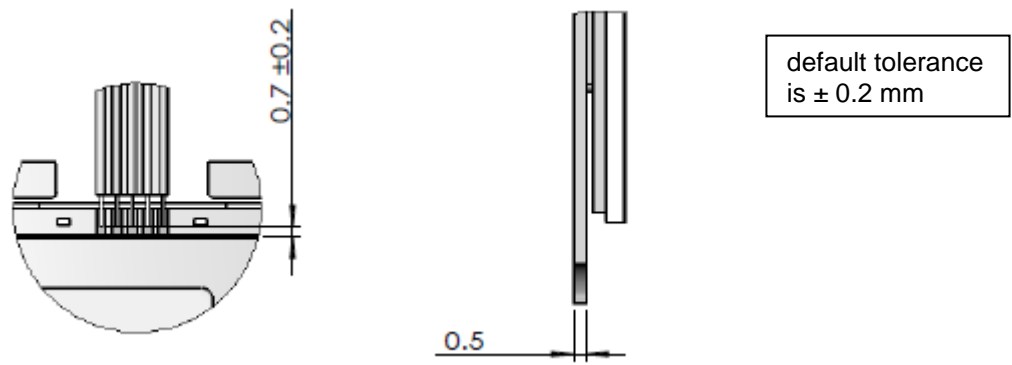


Figure 7: Details A and B of Figure 6 – solder orientation on PCB and thickness of metal back plate - integration level 2

### Diagrams of the Brite FL300 ww BI PCAL (integration level 4)

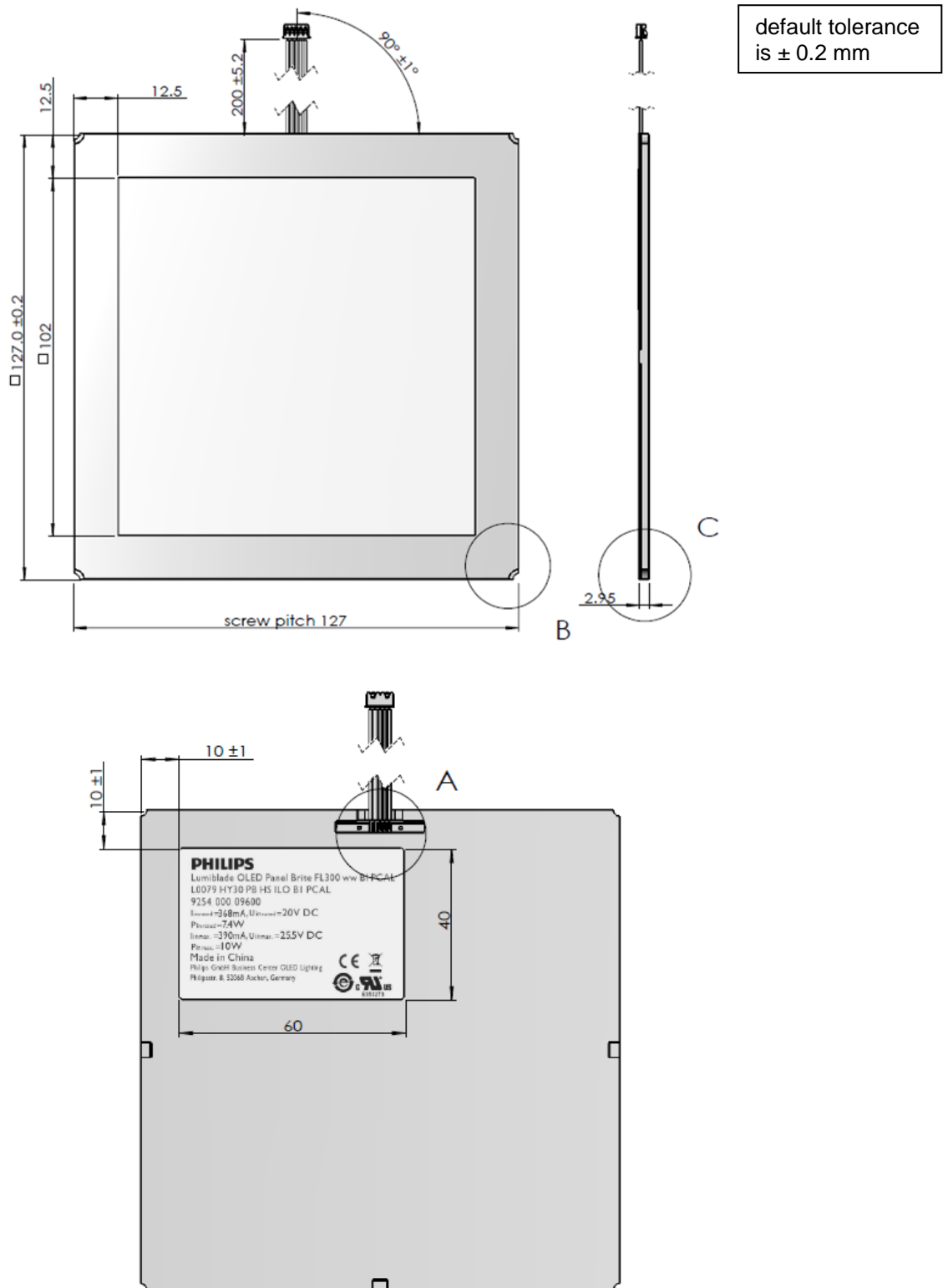


Figure 8: Brite FL300 ww BI PCAL - front and side view (top), rear view (bottom) - integration level 4

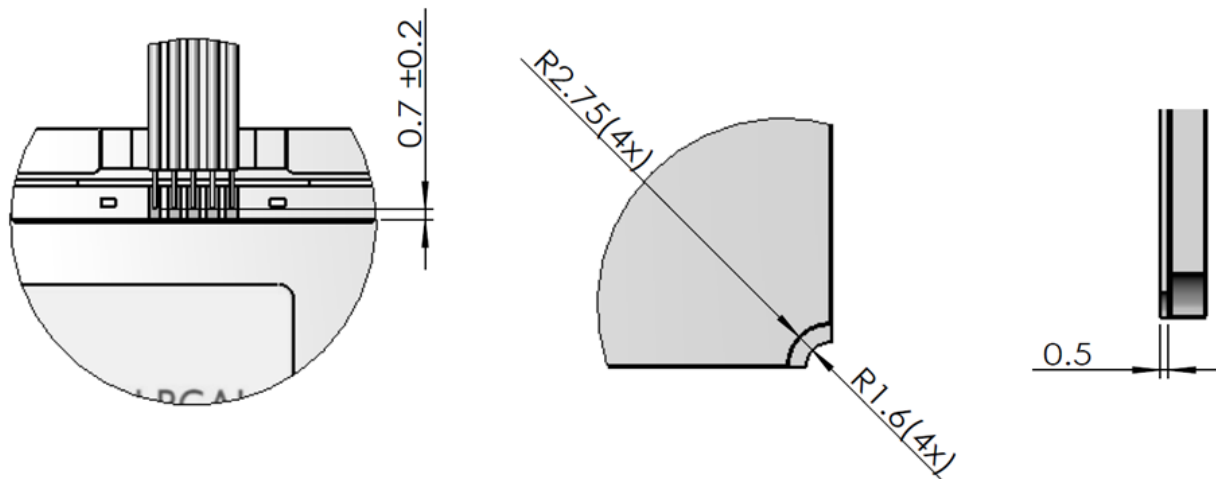


Figure 9: Detail A (left) B (center) and C (right) of Figure 8: solder orientation on PCB, screw openings and thickness of metal back plate - integration level 4

## Mechanical handling

OLEDs are electronic components and should not be tampered with in any way. They are made of thin glass with potentially sharp edges. Avoid mechanical stress, such as shock, pressure, bending, torsion and especially point loads on the OLED. To avoid fingerprints on the front side, preferably handle the OLED from the sides. Gloves or finger cots are recommended at all times whilst handling the OLED.

Avoid contact with water. Do not submerge OLEDs in any kind of solvent, acid, base, salt or other chemicals.

In case of damage to the product, disconnect the product from power supply without touching the damaged parts. Do not reconnect the product. Contact the manufacturer or a qualified service technician.

Improper use can cause OLEDs to break resulting in glass splinters. Please handle all OLEDs with care to avoid breakage as especially the edges of the OLED are very delicate. Use of protective gloves is advised, in particular with broken OLEDs or OLEDs with sharp edges/corners. Avoid direct contact with broken OLEDs.

The product may become warm during normal use. Do not cover with materials that are flammable.



Do not bend



Do not twist



Do not press

## ELECTRICAL AND OPTICAL CHARACTERISTICS - OLED

### Electrical characteristics

Specification item	Value	Unit	Condition
OLED rated current, $I_{in \text{ rated}}$	0.368	A	
OLED maximum current, $I_{in \text{ max}}$	0.390	A	
OLED voltage at $t=0$ , $U_{in}$	20.0 + 0.5/- 1.0	V DC	$I_{in \text{ rated}}$
OLED voltage at end of life, $U_{EOL} = U_{in \text{ max}}$	25.5	V DC	$I_{in \text{ max}}$
Power consumption at $t=0$ , $P_{in}$	7.4	W	$I_{in \text{ rated}}$
Power consumption at end of life, $P_{EOL} = P_{in \text{ max}}$	10.0	W	$I_{in \text{ max}}$

All data nominal at stabilized conditions after 5 min warm-up,  $T_{\text{organic}} = 50 \text{ }^{\circ}\text{C}$ .

### OLED drivers

Use of power supplies with dedicated controls for turning off output power if an OLED fails is recommended when operating the Philips Lumiblade OLED Panel Brite FL300 ww. Recommended drivers are shown in the table below. These drivers all have sockets compatible with the Molex Picoblade connector.

Product	Supply voltage	Output channels	Product Code
Driver D230V 80W/0.1-0.5/1A/28V TD/A 8CH	120, 220-240, 277 V AC	8	9254.000.10200
Driver D024V 10W/0.1A-0.4A/28V D/A	24 V DC	1	9254.000.10100
Driver D024V 10W/0.1A-0.4A/28V DMX	24 V DC	1	9254.000.12000

### Dimming

Both pulse width modulation (PWM) and amplitude modulation (AM) techniques can be used to dim the OLED. More detailed information can be found in the design-in guide for the Brite FL300 family.

### OLED connection

The Philips Lumiblade OLED Panel Brite FL300 ww is available at different integration levels. At integration level 1, no cable is attached to the device. Integration levels 2 and 4 provide a 5-wire cable with a Molex Picoblade connector type compatible with the Lumiblade OLED driver electronics.

At integration level 1 the Brite FL300 ww features two contact areas on the rear side (see Figure 10). Area A provides two contact pads A1 (plus) and A2 (minus). Area B provides 5 contact pads (B1 to B5) which are used to connect the 5-wire flat cable used at the higher integration levels. The individual signals for the 5-wire connection are shown in Figure 11. Only one of the interface areas must be used for electrical contact.

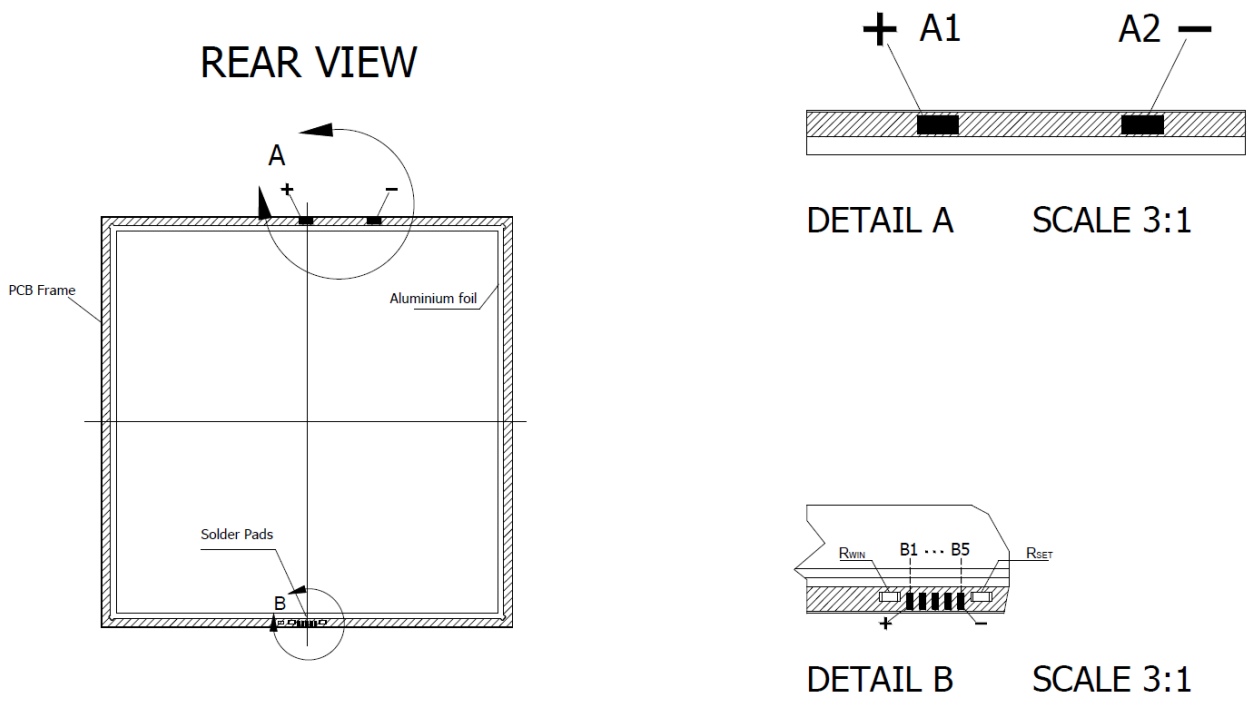


Figure 10: Channel connections from driver to the Brite FL300 ww N – integration level I

The function of the pads is illustrated in Figure 11. A1 and B1 link to the plus pole and A2 and B5 link to the minus pole. B2, B3 and B4 are used to connect to resistors which encode the proper driving window and failure detection mode of the panel. Hence, using the 5-wire flat cable or connecting the 5 wires according to the schematic in Figure 11 the dedicated Lumiblade OLED drivers automatically recognize the panel and drive it correctly<sup>2</sup>.

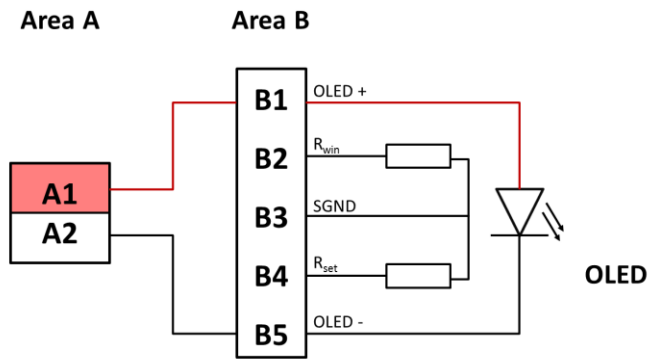


Figure 11: Contact pads of the Brite FL300 ww N – integration level I

<sup>2</sup> except for the Brite FL300 N w/o R<sub>set</sub> which does not contain resistors for identification.

Specification item	Value	Unit	Remark
Wire cross-section	26	AWG	flat cable; voltage rating: 300 V; circuits: 5
Wire length	200 ± 5	mm	
Connector (header/crimp)			Molex Picoblade male

## OLED voltage

The voltage of the OLED depends on the point of operation, temperature of the organics and the age of the OLED. As a result, the OLED voltage is affected by the ambient temperature. During operation the temperature of the organics may increase, especially shortly after powering the OLED. At constant current control, this may result in a change in voltage.

Example of voltage evolution after a cold start at different ambient temperature levels is shown in Figure 12. The initial voltage drop is due to the device heating up until steady state (approx. min after turning on). Besides this the voltage/organic temperature depends on the ambient temperature.

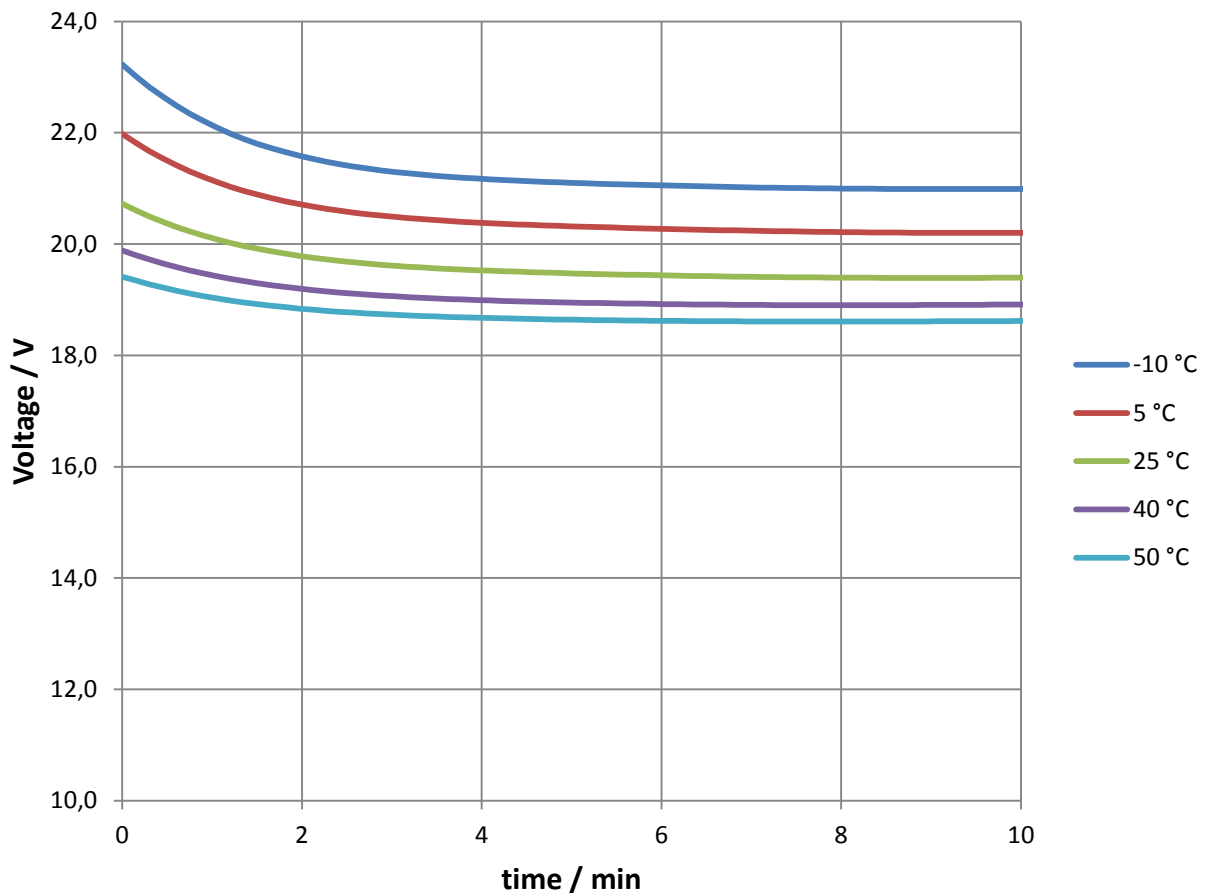


Figure 12: typical voltage evolution after start-up at different ambient temperatures, integration level 1, vertical orientation, air,  $I_{in rated} = 0.368 A$

Figure 13 shows typical decrease of the driving voltage of the Brite FL300 after a cold start until steady state conditions when operated at different ambient temperature conditions ranging from 5 °C to 40 °C. In this example the device is driven at rated current. Electrical steady state conditions are typically reached after

5 min of operation at rated current. Typical drop down voltage after turn on at room temperature ( $RT = 25\text{ }^{\circ}\text{C}$ ) and rated current is  $1.3 \pm 0.4\text{ V}$  (integration level I vertically oriented in air at rated current).

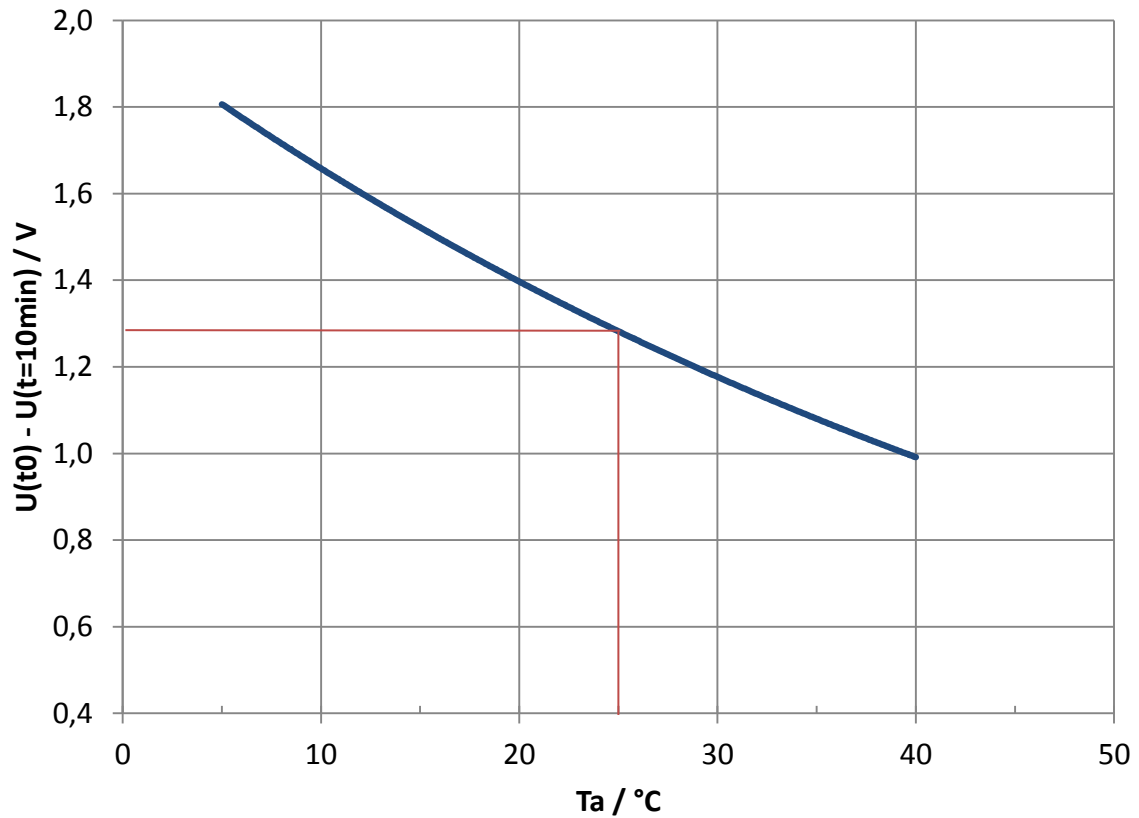


Figure 13: Voltage differences between turning device on and after 10 min at different ambient temperatures  $T_a$ , integration level I, vertical orientation, air,  $I_{in\ rated} = 0.368\text{ A}$

Figure 14 gives the voltage offset that results from varying the ambient temperature  $T_a$  with respect to  $RT = 25\text{ }^{\circ}\text{C}$ . Two curves are given, one for steady state condition and one for the turn on condition.



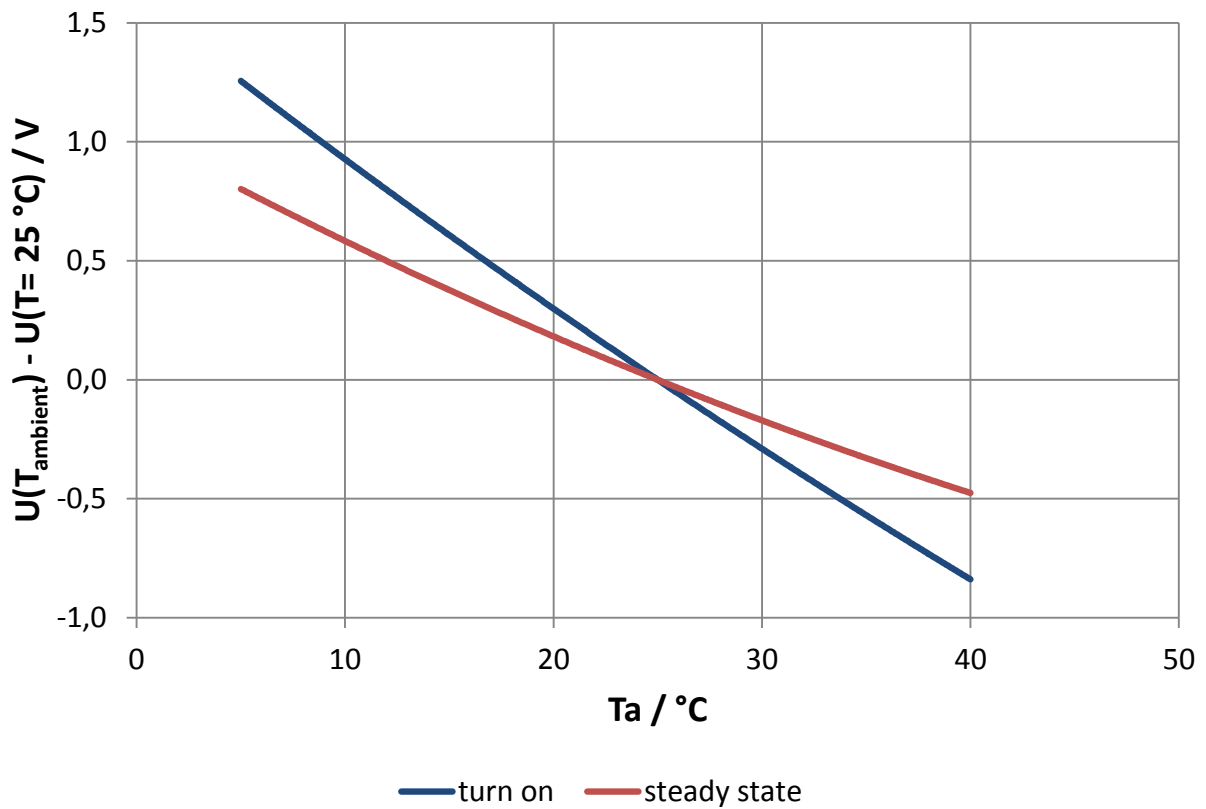


Figure 14: impact of ambient temperature  $T_a$  on change of OLED voltage with respect to  $RT = 25\text{ }^{\circ}\text{C}$ ,  
Integration level I, vertical orientation, air,  $I_{\text{in rated}} = 0.368\text{ A}$

### Short circuit behavior

If an OLED fails it can fall into a short circuit. Such a condition may mean that

- no light is generated
- the OLED is heated locally, i.e. one small spot of the OLED surface gets hot
- the current still flows through the OLED but the voltage drops to a lower value.

In case such a fault occurs turning off the OLED is recommended.

## Optical characteristics\*2

Specification item	Value	Unit	Condition
Luminance, nominal	8300	cd/m <sup>2</sup>	@ I <sub>in rated</sub> = 0.368 A, perpendicular, center
	3150		@ 0.135 A, perpendicular, center
Luminous flux	300 ± 10 %	lm	@ I <sub>in rated</sub> = 0.368 A
	115 ± 10 %		@ 0.135 A
Luminous efficacy, nominal	42	lm/W	@ I <sub>in rated</sub> = 0.368 A
	46		@ 0.135 A
	50		@ 0.040 A
Color	White		
Chromaticity x, nominal	0.4415		integral measurement, CIE 1931
Chromaticity y, nominal	0.4016		
Chromaticity u', nominal	0.2546		integral measurement, CIE 1976
Chromaticity v', nominal	0.5211		
Duv	-0.0016		center of color box with respect to BBL
Color spec limits CIE xy	0.4290 0.3934		corner coordinates of area in color-space
	0.4490 0.3997		
	0.4544 0.4097		
	0.4337 0.4034		
Color spec limits CIE u'v'	0.2500 0.5159		corner coordinates of area in color-space
	0.2604 0.5215		
	0.2594 0.5262		
	0.2488 0.5206		
CCT	2900	K	@ I <sub>in rated</sub> = 0.368 A
Color Rendering Index: CRI / R9	80 / 0		@ I <sub>in rated</sub> = 0.368 A
color instability over angle (CSF)	≤ 0.004		0 .. 75°, Δ=5°, Ta = RT, I = 0.368 A
Homogeneity	≥ 80%		9 point measurement, min/max, I <sub>in rated</sub> = 0.368 A

\*2 all data for stabilized electrical conditions of the device after 5 min warm-up period, integration level I.

## OLED spectrum

Typical spectra of the OLED at different driving currents are given in Figure 15.

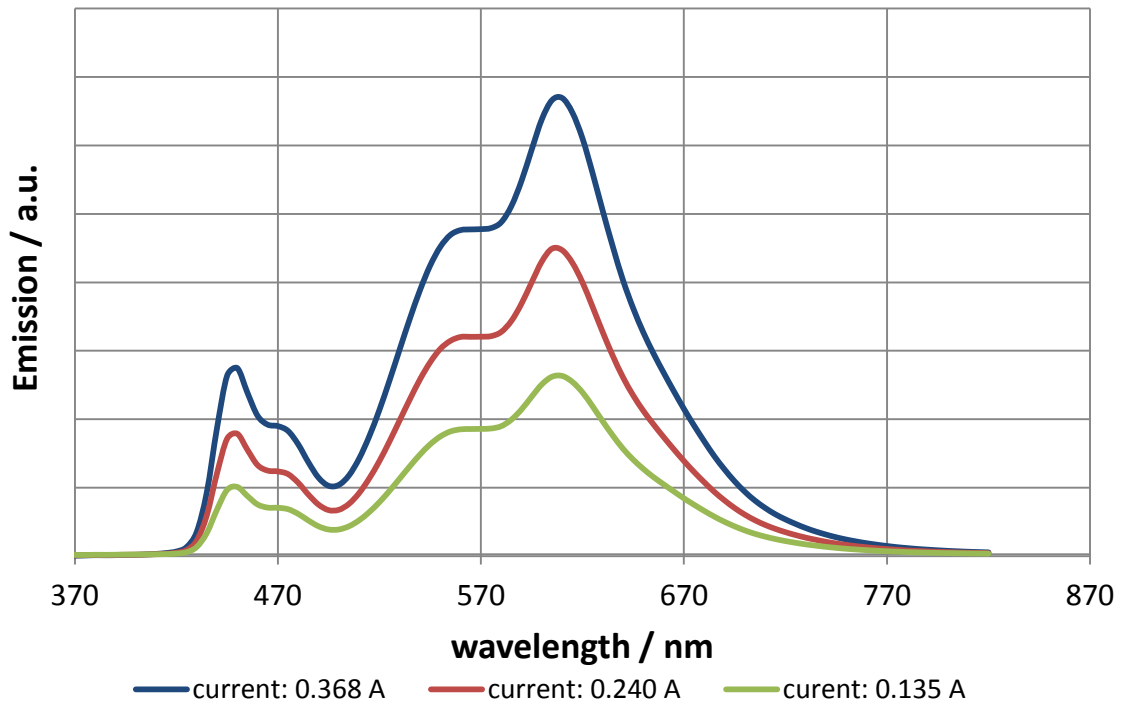


Figure 15: typical emission spectra of the Brite FL300 ww at different driving currents ( $I = 0.135 \text{ A}, 0.240 \text{ A}, 0.368 \text{ A}$ )

## Current – voltage – luminance characteristics

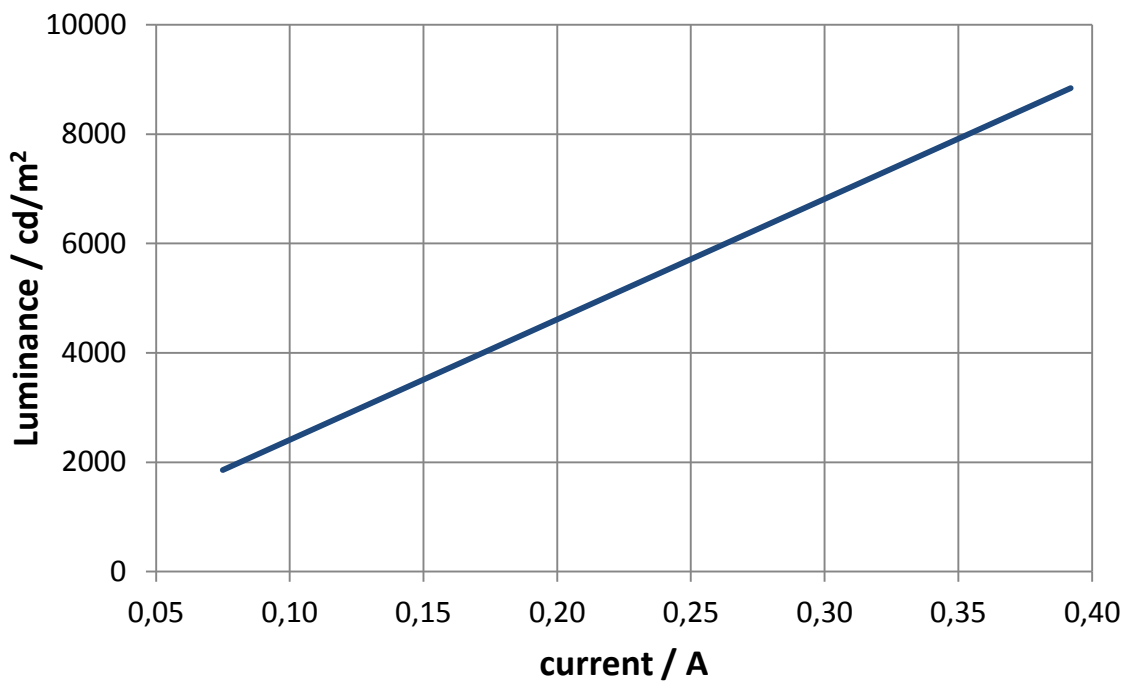


Figure 16: Luminance versus forward current at room temperature, integration level I

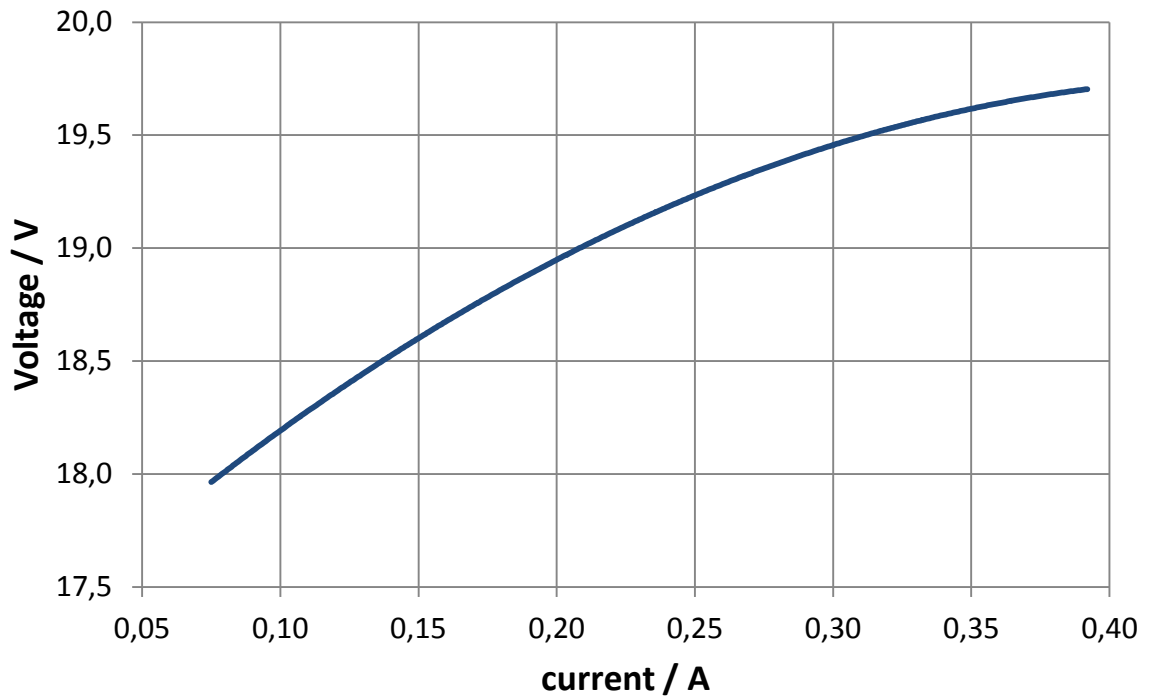


Figure 17: Voltage versus forward current at room temperature, integration level I

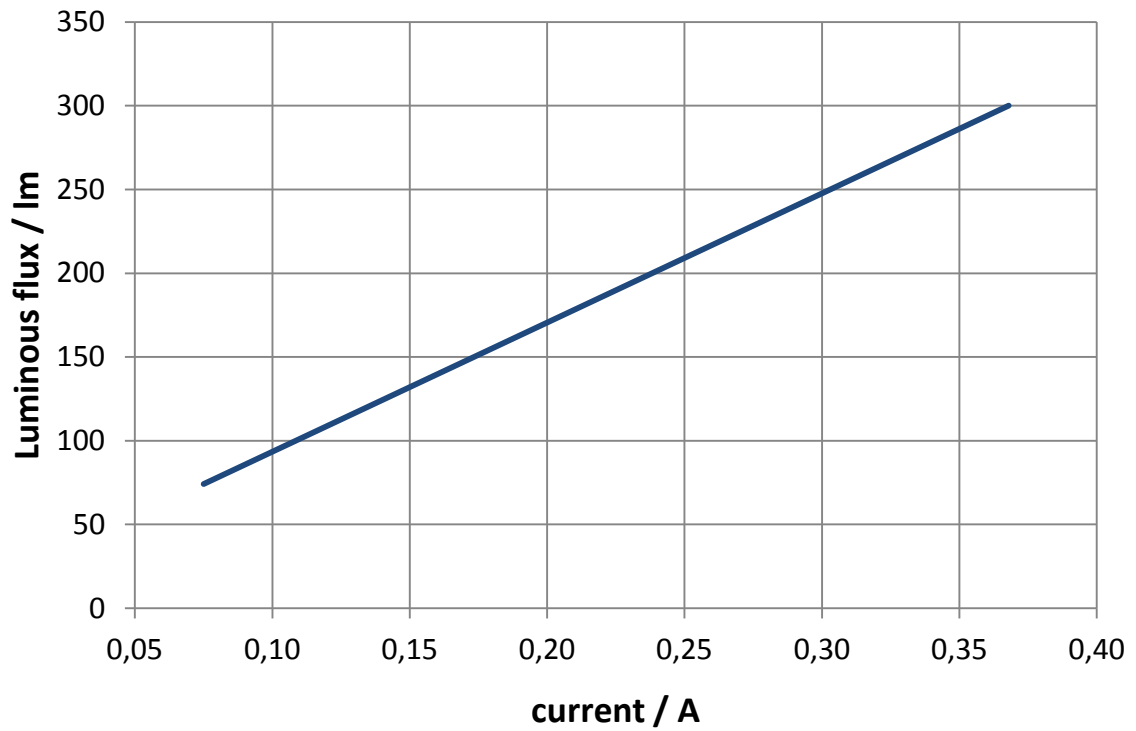


Figure 18: Luminous flux vs current, integration level I

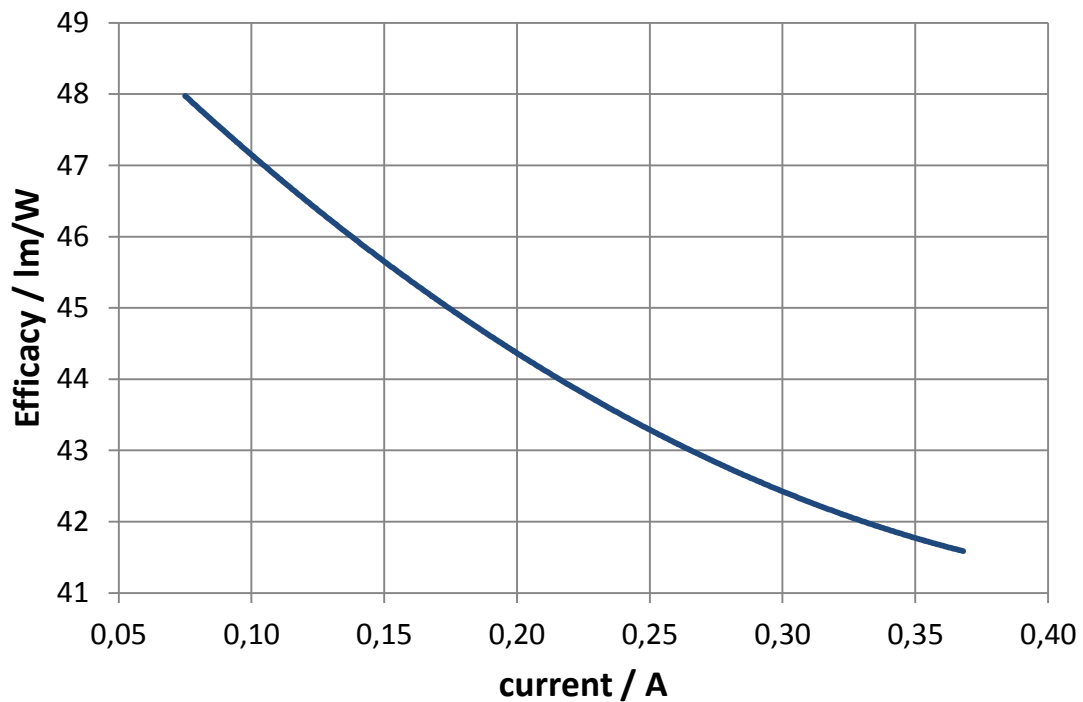


Figure 19: Efficacy versus current at room temperature, integration level I

### Homogeneity of optical parameters

The Philips Lumiblade OLED Panel Brite FL300 ww is a large area device and the luminance value may depend on the location within the active area. A very small color point distribution may also be observed: Typical values for a bare OLED at rated current and room temperature are  $\Delta CIE_x \approx 0.0012$ ,  $\Delta CIE_y \approx 0.0009$  ( $\Delta CIE_u' \approx 0.0016$ ,  $\Delta CIE_v' \approx 0.0005$ ).

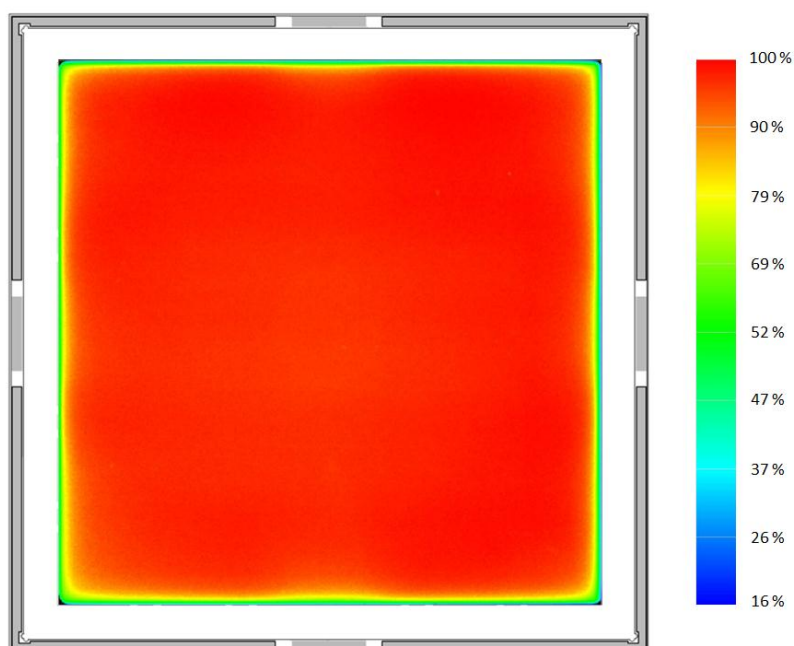


Figure 20: Typical luminance distribution for a Brite FL300 ww N panel. Operation conditions: vertical in air, RT (= 25 °C),  $I = I_{in\ rated}$

An example for the luminance distribution is given in Figure 20. Optical parameters of an OLED panel depend on temperature. Hence, local changes in temperature might alter the distribution shown below.

### Angular dependency

The luminance (measured in  $\text{cd}/\text{m}^2$ ) of the OLED light depends on angle of observation. Figure 21 shows typical values for the Philips Lumiblade OLED Panel Brite FL300 ww N operated at different driving currents.

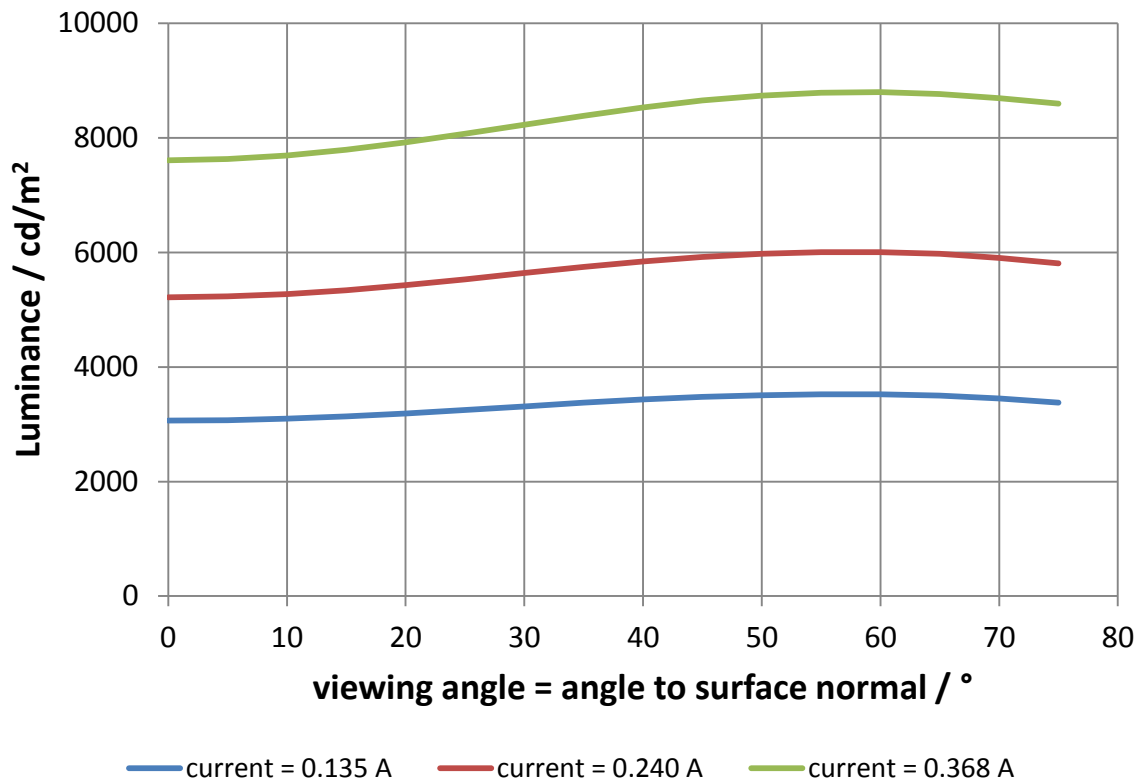


Figure 21: Luminance as function of the viewing angle. Driving currents  $I = 0.135 \text{ A}$ ,  $0.240 \text{ A}$ ,  $0.368 \text{ A}$ , integration level 1

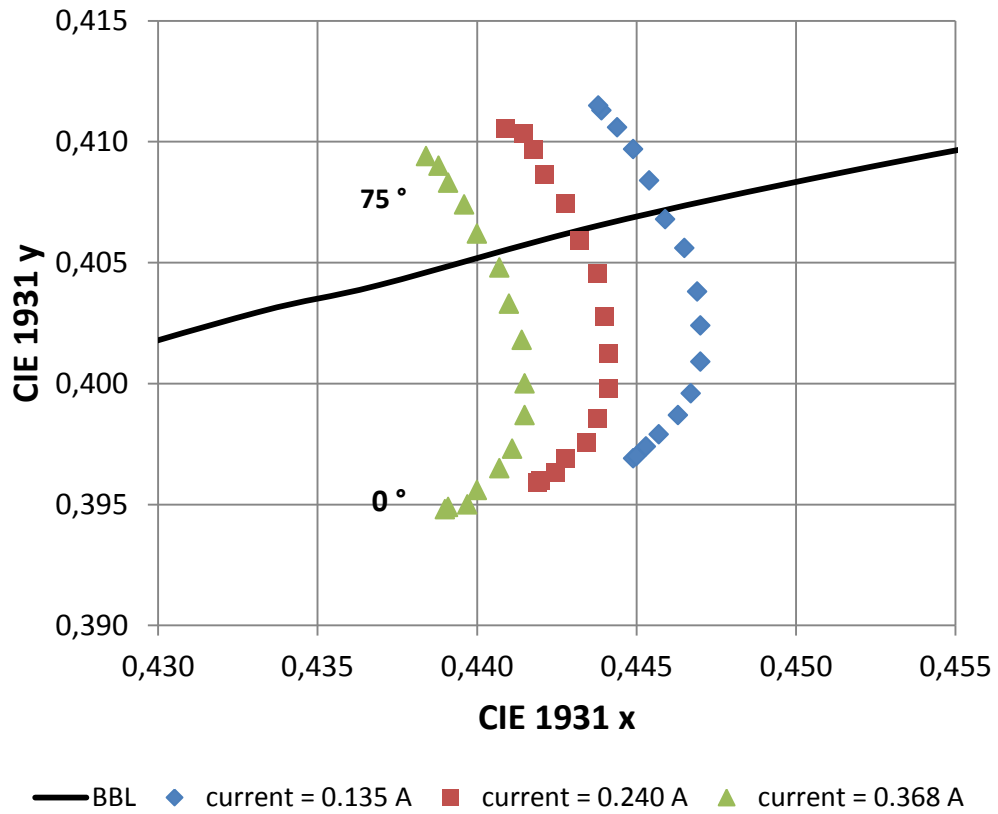


Figure 22: CIE x/y as function of the viewing angle. Driving currents  $I = 0.135 \text{ A}, 0.240 \text{ A}, 0.368 \text{ A}$ , integration level I

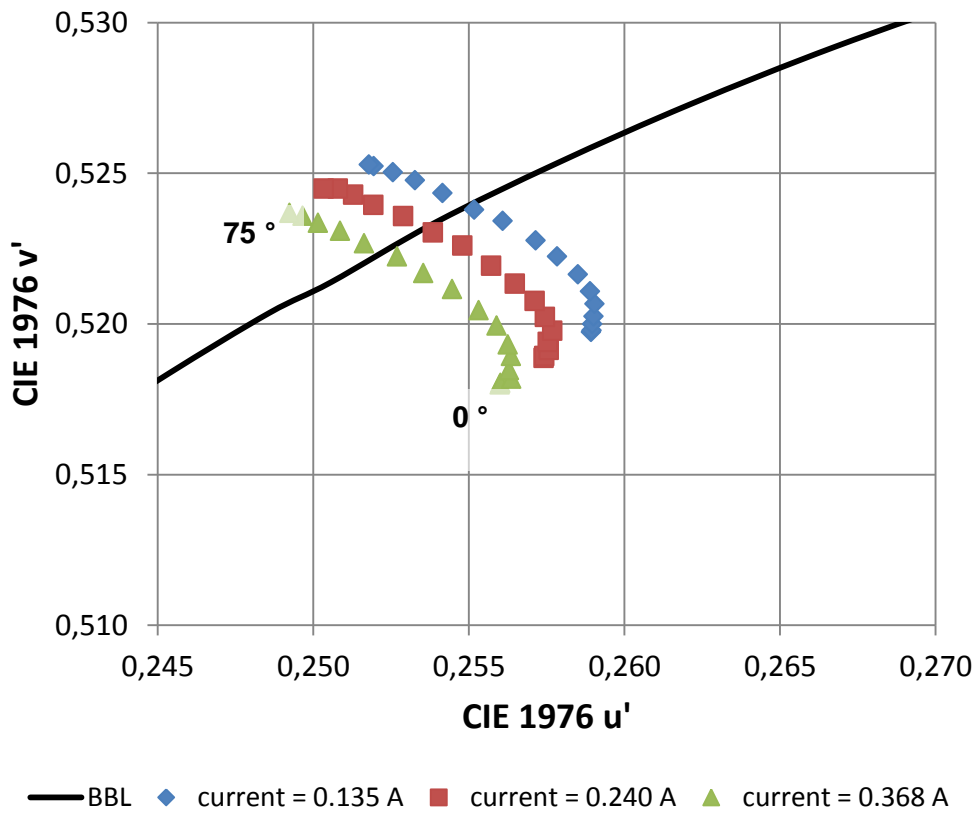


Figure 23: CIE u'/v' as function of the viewing angle. Driving currents  $I = 0.135 \text{ A}, 0.240 \text{ A}, 0.368 \text{ A}$ , integration level I

## THERMAL CHARACTERISTICS

OLEDs can generate a certain amount of heat. Despite the fact that no active cooling is required, the panels should not be covered in order to avoid heat accumulation.

The OLED temperature during operation depends on ambient conditions and driving current. Indicative values for internal (organics) temperature of the device can be measured at the glass surface at the center of the device with a thermocouple attached.

Typical temperature for the Brite FL300 ww N is  $\approx 50$  °C with the following set-up:

- $I = I_{\text{in rated}} = 0.368$  A
- $T_{\text{ambient}} = RT = 25$  °C
- vertical orientation
- climate chamber, no active convection.

## OLED temperature distribution

Typical temperature distributions of the Philips Lumiblade OLED Panel Brite FL300 ww are shown in the following figures:

- rows: top to bottom → integration level 1, 2, and 4
- columns: left → scales fixed to the upper temperature level of integration level 1
- right → scales float to reflect maximum temp in picture

The reduced temperatures of integration level 2 and 4 compared to integration level 1 as well as the improved homogeneity of temperature (and hence optical parameters) is obvious.



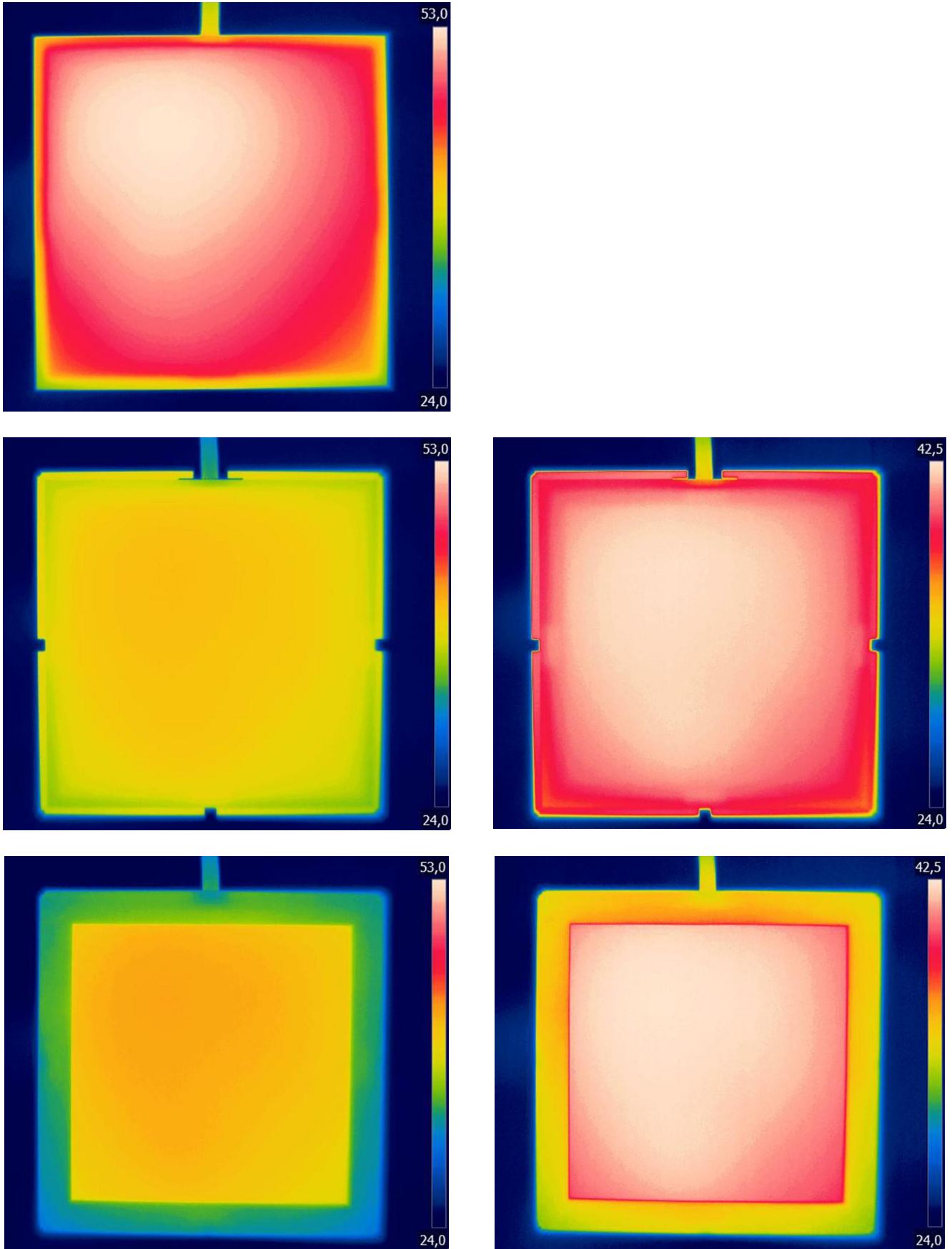


Figure 24: exemplary heat distribution in °C of a Brite FL300 ww panel in integration levels 1, 2 and 4 (top-down).  
vertical orientation, air,  $I_{in rated} = 0.368$  A,  $T_a = RT$  and after 5 min (left column with fixed scales).

## Lifetime

Luminous flux reduces with lifetime of the OLED. The luminous flux of the Brite FL300 ww decreases to approximately 70% after 10,000 hours at rated current.

Specification item	Value	Unit	Condition
OLED Panel Lifetime L70B50	10,000	Hours	@ $I_{in\ rated}$ , $T_{organic} = 52\text{ °C}$
OLED Panel Lifetime L70B50	50,000	Hours	@ 0.135 A, $T_{organic} = 35\text{ °C}$

Voltage increases over lifetime of the OLED; color and homogeneity of the panel may also change.

## General handling recommendations and care

### Cleaning

Please avoid scratching the front side with any hard or sharp objects. OLEDs can be cleaned with any soft textile. If required use a damp cloth but avoid extensive moisture.

Use of a compressed air spray to remove regular dust from the individual panels is advised for everyday cleaning. Should fingerprints or more persistent contamination occur, isopropanol applied to a lint-free cloth can be used to gently clean the surface of the OLED. Clean using circular movements beginning at the center of the OLED and moving outwards towards the edges. Contact with water is to be avoided.

### Storage and operating

Please note that the recommended storage temperature is 15 °C to 25 °C. The recommended relative storage humidity is 65% or lower. Avoid exposing OLEDs to UV light.

### Safety

Please be careful when handling OLEDs. The edges of the OLED panels may be sharp and can chip or break.

In the unlikely event that an OLED fails, the temperature may rise locally to high levels. To avoid this the OLED should be turned off immediately.

### Disposal

OLEDs should be disposed of according to local legislation

## Logistical data

Specification item	Value
Product name	Philips Lumiblade OLED Panel Brite FL300 ww N
Order code	37979240
Logistics code	9254.000.0940 I
EAN3	8727900379808
Pieces per box	20

Specification item	Value
Product name	Philips Lumiblade OLED Panel Brite FL300 ww A0
Order code	37981531
Logistics code	9254.000.0950 I
EAN3	8727900379822
Pieces per box	6

Specification item	Value
Product name	Philips Lumiblade OLED Panel Brite FL300 ww BI PCAL
Order code	37983931
Logistics code	9254.000.0960 I
EAN3	8727900379846
Pieces per box	6

Specification item	Value
Product name	Philips Lumiblade OLED Panel Brite FL300 ww N w/o Rset
Order code	37992140
Logistics code	9254.000.1140 I
EAN3	8727900379938
Pieces per box	20

### Contact:

Philips GmbH  
 Business Center OLED Lighting  
 Philipsstr. 8, 52068 Aachen, Germany  
[info@lumiblade-experience.com](mailto:info@lumiblade-experience.com)

### For more information visit:

[www.lumiblade-experience.com](http://www.lumiblade-experience.com)  
[www.facebook.com/lumiblade](https://www.facebook.com/lumiblade)  
[www.twitter.com/lumiblade](https://www.twitter.com/lumiblade)  
[www.youtube.com/user/PhilipsLumiblade](https://www.youtube.com/user/PhilipsLumiblade)

