

PHILIPS

Fortimo

LED system

SLM Gen4

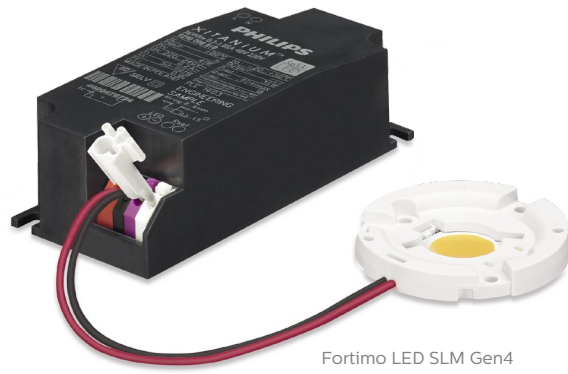


New levels of
brightness and
saturation in retail

Indoor lighting

Fortimo LED SLM Gen4

Quality of light



Fortimo LED SLM Gen4

High quality of light for spot and downlighting





What's new?

- Unparalleled rendering of rich colors and whites
- A complete portfolio on one single platform
- Flexibility to optimize luminaire performance to the type of merchandise illuminated
- No special cable needed
- Reset on drivers
- Small LES sizes for smaller luminaire designs
- Chip-on-Board (CoB) technology, enabling system efficacy of up to 137 lm/W
- Extended Tc up to 85 °C possible
- Range covers 1100 to 4500 lm
- Available in colors 827, 830, 840, 927 and 930

Retailers want to show their merchandise in the best possible light, and luminaire manufacturers are keen to help them do so. Now, a new range of spotlight modules expands the possibilities, giving manufacturers the flexibility to provide a much wider choice of retail-specific lighting.

Next to a standard range of products the Fortimo LED SLM Gen4 includes modules that are specifically optimized for fresh food, modules for meat, and modules that make white materials appear pure and bright as well as making other colors appear saturated and intense – this is something that, until now, was only possible with MASTERColor CDM.

Furthermore, the Fortimo LED SLM Gen4 proposition allows the luminaire manufacturer to select a product out of the Gen4 range based on high quality of light, with either high efficacy (lm/W) or lowest costs (lm/€), meeting requirements he might be faced within in his project for an end user.

Also each module is interchangeable. This enables retailers to create different lighting effects throughout the entire store with just one consistent luminaire range.

“

Optimized lighting attracts consumers and makes merchandise shine”

Indoor lighting

Fortimo LED SLM Gen4

Quality of light



High-quality light

The new Fortimo LED SLM range provides a superior color rendering index of >80 or >90. In particular, its rendering of the color red – critical in retailing – is an all-time-high R9 value of 80. There's also a choice of color temperatures: 2700, 3000 and 4000 K. And it provides an extremely high color uniformity and consistency over life, with a MacAdam Ellipse of just 3 SDCM.

In addition to the Fortimo LED SLM Gen4 standard range, the Fortimo LED SLM Premium White version is also available. This version has been specially developed for spot and accent lighting in retail, hospitality and supermarket applications, where a color point below the black body line is required.

Food

Fortimo LED SLM Food Warm White

The Fortimo LED SLM Warm White creates a unique color impression that makes fresh food, such as fruit, vegetables and bread, look highly attractive.

Fortimo LED SLM Premium Red

The Fortimo LED SLM Premium Red has been developed with a tuned color spectrum that enhances red and simultaneously displays white in a clear and fresh way. It creates a punchy contrast between the two colors, enhancing the appearance of fresh meat.

For further details on:

SLM Food Warm White / Premium Red

Please refer to the respective leaflets and data sheets.

Fashion Retail

Fortimo LED SLM CrispWhite

Fortimo LED SLM CrispWhite is set to revolutionize fashion retail applications. It's the first light source that makes whites appear pure, bright and crisp at the same time as making other colors appear warm, saturated and intense. The result? A totally new color experience. Retailers can now enjoy all the advantages of LED but with the added benefit of enhanced rendering for both whites and colors.



For further details on:

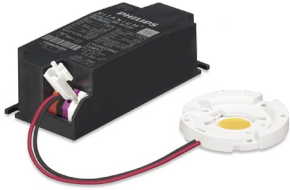
SLM CrispWhite

Please refer to the respective leaflets and data sheets.





Benefits to manufacturers



Smart System

Together with the wide range of compatible Philips Xitanium LED drivers, the Fortimo LED SLM Gen4 system is future-proof, easy to design-in, has a long lifetime and is backed up by the Philips five-year system warranty. The SLM modules assure fixed lumen output, consistent light distribution, and a standardized optical, mechanical, electrical and thermal interface. The module design is Zhaga-compliant and is backwards-compatible with previous SLM generation modules and drivers.*

In addition, the Fortimo LED SLM is designed to work with Xitanium LED drivers. This Smart System approach includes the following essential features for spot lighting:

- Xitanium mini drivers for the smallest possible luminaire designs
- Xitanium window drivers for maximum flexibility
- 12 V output included for easy connection to active cooling systems
- DALI dimming for scene setting and further energy savings
- Independent driver with mains loop through, enabling easy installation with a remote driver
- DC input is enabled to ensure compatibility with central emergency system
- Lower current operating window available with Xitanium drivers.

* Zhaga-compliant and is backwards-compatible with previous SLM generation modules and drivers. Measurements on the SLM 3000 lm L15 module show compliance to Zhaga book 3 version 1.2

Easy design-in and approbation

Fortimo LED SLM systems have been designed with luminaire manufacturers' needs in mind:

- High Tc point of 95 °C possible for further luminaire miniaturization
- CE, REACH, RoHS-certified for smooth luminaire approbation
- Full set of complementary thermal and optical partner components available for quick luminaire design.

Maximized flexibility

The new modules come with three different holder options:

- Standard: holder with two fixed, pre-molded connection wires (60 cm, pre-tinned)
- Downlight: holder with two fixed, pre-molded connection wires (60 cm, tin-dipped) with an extra sleeve to accommodate strain relief
- Poke-in: holder without fixed wires, but with two connection points allowing users to mount their own wires.

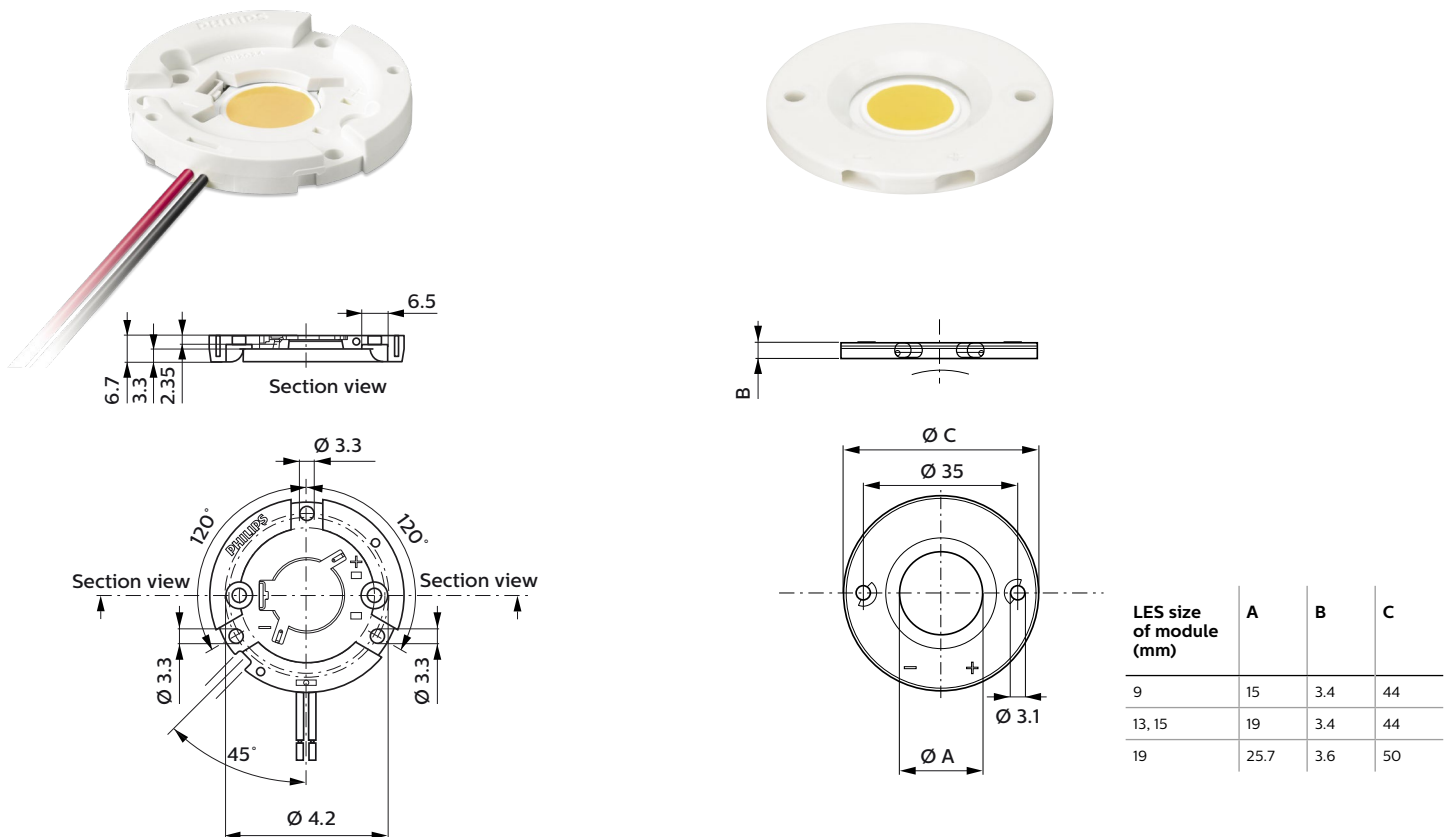
Specifications and ordering details

Fortimo LED SLM Gen4

Type	Light output (lm)	Module power (W)	Module efficacy (lm/W)	System efficacy* (lm/W)	Color temperature (K)	Color rendering CRI	Color consistency (SDCM)	Tc life (°C)	B50/L70 at Tc life (hours)
Fortimo LED SLM 1100lm 827 L9 G4	1030	11	92	76	2700	>80	3	85	>50,000
Fortimo LED SLM 1100lm 830 L9 G4	1100	11	98	81	3000	>80	3	85	>50,000
Fortimo LED SLM 1100lm 840 L9 G4	1170	11	104	86	4000	>80	3	85	>50,000
Fortimo LED SLM 1100lm 827 L13 G4	1160	10	114	93	2700	>80	3	85	>50,000
Fortimo LED SLM 1100lm 830 L13 G4	1240	10	122	100	3000	>80	3	85	>50,000
Fortimo LED SLM 1100lm 840 L13 G4	1330	10	130	107	4000	>80	3	85	>50,000
Fortimo LED SLM 2000lm 830 L13 G4	2020	17	117	98	3000	>80	3	85	>50,000
Fortimo LED SLM 2000lm 840 L13 G4	2150	17	124	104	4000	>80	3	85	>50,000
Fortimo LED SLM 2000lm 927 L13 G4	1570	17	91	76	2700	>90	3	85	>50,000
Fortimo LED SLM 2000lm 930 L13 G4	1650	17	95	79	3000	>90	3	85	>50,000
Fortimo LED SLM 3000lm 830 L15 G4	2970	26	114	99	3000	>80	3	85	>50,000
Fortimo LED SLM 3000lm 840 L15 G4	3170	26	122	106	4000	>80	3	85	>50,000
Fortimo LED SLM 3000lm 927 L15 G4	2320	26	89	77	2700	>90	3	85	>50,000
Fortimo LED SLM 3000lm 930 L15 G4	2400	26	92	80	3000	>90	3	85	>50,000
Fortimo LED SLM 4500lm 830 L19 G4	4860	42	115	101	3000	>80	3	85	>50,000
Fortimo LED SLM 4500lm 840 L19 G4	5160	42	122	107	4000	>80	3	85	>50,000
Fortimo LED SLM 4500lm 927 L19 G4	3760	42	89	78	2700	>90	3	85	>50,000
Fortimo LED SLM 4500lm 930 L19 G4	3930	42	93	82	3000	>90	3	85	>50,000

* Average value, depends on type of driver used.

Dimensions (mm)



Standard and downlight version

Poke-in version

Ordering data

System consists of CSLM Gen4 module (CoB with holder), driver and Rset.
Each item should be ordered seperately.

SLM Gen4 standard version (with 60 cm pre-tinned cable)

Type	Units per pack	EOC code	12NC code
Fortimo LED SLM 1100lm 827 L9 G4	20	8718291 783138 00	9290 009 01206
Fortimo LED SLM 1100lm 830 L9 G4	20	8718291 783152 00	9290 009 01306
Fortimo LED SLM 1100lm 840 L9 G4	20	8718291 783176 00	9290 009 01406
Fortimo LED SLM 1100lm 827 L13 G4	20	8718291 783190 00	9290 009 01506
Fortimo LED SLM 1100lm 830 L13 G4	20	8718291 783213 00	9290 009 01606
Fortimo LED SLM 1100lm 840 L13 G4	20	8718291 783237 00	9290 009 01706
Fortimo LED SLM 2000lm 830 L13 G4	20	8718291 783251 00	9290 009 01806
Fortimo LED SLM 2000lm 840 L13 G4	20	8718291 783275 00	9290 009 01906
Fortimo LED SLM 2000lm 927 L13 G4	20	8718291 783299 00	9290 009 02006
Fortimo LED SLM 2000lm 930 L13 G4	20	8718291 783312 00	9290 009 02106
Fortimo LED SLM 3000lm 830 L15 G4	20	8718291 783350 00	9290 009 02306
Fortimo LED SLM 3000lm 840 L15 G4	20	8718291 783374 00	9290 009 02406
Fortimo LED SLM 3000lm 927 L15 G4	20	8718291 783398 00	9290 009 02506
Fortimo LED SLM 3000lm 930 L15 G4	20	8718291 783411 00	9290 009 02606
Fortimo LED SLM 4500lm 830 L19 G4	20	8718291 783459 00	9290 009 02806
Fortimo LED SLM 4500lm 840 L19 G4	20	8718291 783473 00	9290 009 02906
Fortimo LED SLM 4500lm 927 L19 G4	20	8718291 783497 00	9290 009 03006
Fortimo LED SLM 4500lm 930 L19 G4	20	8718291 783510 00	9290 009 03106

SLM Premium White (color point bBBL)

Type	Units per pack	EOC code	12NC code
Fortimo LED SLM 2000lm 830 PW L13 G4	20	8718291 799306 00	9290 009 11506
Fortimo LED SLM 2000lm 930 PW L13 G4	20	8718696 417362 00	9290 009 29006
Fortimo LED SLM 3000lm 830 PW L15 G4	20	8718291 799375 00	9290 009 11606
Fortimo LED SLM 3000lm 930 PW L13 G4	20	8718696 417386 00	9290 009 29106
Fortimo LED SLM 4500lm 830 PW L19 G4	20	8718291 799399 00	9290 009 11706
Fortimo LED SLM 4500lm 930 PW L19 G4	20	8718696 417409 00	9290 009 29206

SLM Gen4 downlight version (with tin-dipped sleeved cable 60 cm)

Type	Units per pack	EOC code	12NC code
Fortimo LED SLM 1100lm 827 DL L13 G4	20	8718291 799412 00	9290 009 11806
Fortimo LED SLM 1100lm 830 DL L13 G4	20	8718291 799436 00	9290 009 11906
Fortimo LED SLM 1100lm 840 DL L13 G4	20	8718291 799450 00	9290 009 12006
Fortimo LED SLM 2000lm 830 DL L13 G4	20	8718291 799474 00	9290 009 12106
Fortimo LED SLM 2000lm 840 DL L13 G4	20	8718291 799498 00	9290 009 12206
Fortimo LED SLM 2000lm 927 DL L13 G4	20	8718696 417096 00	9290 009 28506
Fortimo LED SLM 2000lm 930 DL L13 G4	20	8718696 417669 00	9290 009 30306
Fortimo LED SLM 3000lm 830 DL L15 G4	20	87182917 99535 00	9290 009 12306
Fortimo LED SLM 3000lm 840 DL L15 G4	20	87182917 99559 00	9290 009 12406
Fortimo LED SLM 3000lm 927 DL L15 G4	20	87182917 83398 00	9290 009 28606
Fortimo LED SLM 3000lm 930 DL L15 G4	20	87182917 83510 00	9290 009 30406
Fortimo LED SLM 4500lm 830 DL L19 G4	20	87182917 83190 00	9290 009 28806
Fortimo LED SLM 4500lm 840 DL L19 G4	20	87182917 83213 00	9290 009 28906
Fortimo LED SLM 4500lm 927 DL L19 G4	20	87182917 83176 00	9290 009 28706
Fortimo LED SLM 4500lm 930 DL L19 G4	20	87182917 83534 00	9290 009 30506
Fortimo LED SLM 2000lm 830 DL PW L13 G4	20	87182917 83299 00	9290 009 29306
Fortimo LED SLM 3000lm 830 DL PW L15 G4	20	87182917 83312 00	9290 009 29406
Fortimo LED SLM 4500lm 830 DL PW L19 G4	20	87182917 83336 00	9290 009 29506
Fortimo LED SLM 2000lm 930 DL PW L13 G4	20	87182917 83350 00	9290 009 29606
Fortimo LED SLM 3000lm 930 DL PW L15 G4	20	87182917 83374 00	9290 009 29706
Fortimo LED SLM 4500lm 930 DL PW L19 G4	20	87182917 83398 00	9290 009 29806

SLM Gen4 poke-in version (without fixed, pre-molded wires)

Type	Units per pack	EOC code	12NC code
Fortimo LED SLM 1100lm 827 PI L9 G4	20	8718696 432426 00	9290 009 35106
Fortimo LED SLM 1100lm 830 PI L9 G4	20	8718696 432440 00	9290 009 35206
Fortimo LED SLM 1100lm 840 PI L9 G4	20	8718696 432464 00	9290 009 35306
Fortimo LED SLM 1100lm 827 PI L13 G4	20	8718696 431887 00	9290 009 35406
Fortimo LED SLM 1100lm 830 PI L13 G4	20	8718696 431900 00	9290 009 35506
Fortimo LED SLM 1100lm 840 PI L13 G4	20	8718696 431924 00	9290 009 35606
Fortimo LED SLM 2000lm 830 PI L13 G4	20	8718696 431948 00	9290 009 35706
Fortimo LED SLM 2000lm 840 PI L13 G4	20	8718696 431962 00	9290 009 35806
Fortimo LED SLM 2000lm 927 PI L13 G4	20	8718696 431986 00	9290 009 35906
Fortimo LED SLM 2000lm 930 PI L13 G4	20	8718696 432006 00	9290 009 36006
Fortimo LED SLM 3000lm 830 PI L15 G4	20	8718696 432020 00	9290 009 36106
Fortimo LED SLM 3000lm 840 PI L15 G4	20	8718696 432044 00	9290 009 36206
Fortimo LED SLM 3000lm 927 PI L15 G4	20	8718696 432068 00	9290 009 36306
Fortimo LED SLM 3000lm 930 PI L15 G4	20	8718696 432082 00	9290 009 36406
Fortimo LED SLM 4500lm 830 PI L19 G4	20	8718696 432105 00	9290 009 36506
Fortimo LED SLM 4500lm 840 PI L19 G4	20	8718696 432129 00	9290 009 36606
Fortimo LED SLM 4500lm 927 PI L19 G4	20	8718696 432143 00	9290 009 36706
Fortimo LED SLM 4500lm 930 PI L19 G4	20	8718696 432167 00	9290 009 36806
Fortimo LED SLM 2000lm 830 PI PW L13 G4	20	8718696 432181 00	9290 009 36906
Fortimo LED SLM 3000lm 830 PI PW L15 G4	20	8718696 432204 00	9290 009 37006
Fortimo LED SLM 4500lm 830 PI PW L19 G4	20	8718696 432228 00	9290 009 37106
Fortimo LED SLM 2000lm 930 PI PW L13 G4	20	8718696 432280 00	9290 009 37206
Fortimo LED SLM 3000lm 930 PI PW L15 G4	20	8718696 432303 00	9290 009 37306
Fortimo LED SLM 4500lm 930 PI PW L19 G4	20	8718696 432327 00	9290 009 37406



Fortimo LED SLM Gen4 Drivers

Module type SLM	LED driver	Light output (lm)	Rset (Ω)	EOC code	12NC code
1100lm, L9	Xitanium 20W/m 0.15-0.5A 48V 230V	1100	560	8718291 766636 00	9290 008 93806
1100lm, L9	Xitanium 20W LH 0.15-0.5A 48V TD/I 230V	1100	560	8718291 782346 00	9290 006 00303
1100lm, L13	Xitanium 36W LH 0.3-1A 48V I 230V	2000	1200	8718291 666448 00	9290 008 38903
1100lm, L13	Xitanium 36W/s 0.3-1A 48V 230V	2000	1200	8718291 697862 00	9290 008 39003
1100lm, L13	Xitanium 36W/m 0.3-1.05A 48V 230V	2000	1200	8718291 750277 00	9290 008 81806
1100lm, L13	Xitanium 36W LH 0.3-1A 48V TD/I 230V	2000	1200	8718291 729037 00	9290 008 70806
1100lm, L13	Xitanium 36W/s 0.3-1A 48V TD 230V	2000	1200	8718291 770947 00	9290 008 97606
1100lm, L13	Xitanium 20W/m 0.15-0.5A 48V 230V	1100	560	8718291 766636 00	9290 008 93806
1100lm, L13	Xitanium 20W LH 0.15-0.5A 48V TD/I 230V	1100	560	8718291 782346 00	9290 009 04006
2000lm, L13	Xitanium 36W LH 0.3-1A 48V I 230V	3000	2050	8718291 666448 00	9290 008 38903
2000lm, L13	Xitanium 36W/s 0.3-1A 48V 230V	3000	2050	8718291 697862 00	9290 008 39003
2000lm, L13	Xitanium 36W/m 0.3-1.05A 48V 230V	3000	2050	8718291 750277 00	9290 008 81806
2000lm, L13	Xitanium 36W LH 0.3-1A 48V TD/I 230V	3000	2050	8718291 729037 00	9290 008 70806
2000lm, L13	Xitanium 36W/s 0.3-1A 48V TD 230V	3000	2050	8718291 770947 00	9290 008 97606
2000lm, L13	Xitanium 20W/m 0.15-0.5A 48V 230V	2000	1200	8718291 766636 00	9290 008 93806
2000lm, L13	Xitanium 20W LH 0.15-0.5A 48V TD/I 230V	2000	1200	8718291 782346 00	9290 006 00303
2000lm, L13	Xitanium 36W LH 0.3-1A 48V I 230V	2000	1200	8718291 666448 00	9290 008 38903
2000lm, L13	Xitanium 36W/s 0.3-1A 48V 230V	2000	1200	8718291 697862 00	9290 008 39003
2000lm, L13	Xitanium 36W/m 0.3-1.05A 48V 230V	2000	1200	8718291 750277 00	9290 008 81806
2000lm, L13	Xitanium 36W LH 0.3-1A 48V TD/I 230V	2000	1200	8718291 729037 00	9290 008 70806
2000lm, L13	Xitanium 36W/s 0.3-1A 48V TD 230V	2000	1200	8718291 770947 00	9290 008 97606
3000lm, L15	Xitanium 50W/s 0.9-1.4A 48V 230V	4500	4870	8718291 777588 00	9290 008 99306
3000lm, L15	Xitanium 50W LH 0.7-1.5A 48V TD/I 230V	4500	4870	8718291 782360 00	9290 009 04106
3000lm, L15	LED Driver 50W 0.7-1.5A 44V I 230V *	4500	4870	6923410 748277 00	9290 008 92606
3000lm, L15	Xitanium 36W LH 0.3-1A 48V I 230V	3000	2050	8718291 666448 00	9290 008 38903
3000lm, L15	Xitanium 36W/s 0.3-1A 48V 230V	3000	2050	8718291 697862 00	9290 008 39003
3000lm, L15	Xitanium 36W/m 0.3-1.05A 48V 230V	3000	2050	8718291 750277 00	9290 008 81806
3000lm, L15	Xitanium 36W LH 0.3-1A 48V TD/I 230V	3000	2050	8718291 729037 00	9290 008 70806
3000lm, L15	Xitanium 36W/s 0.3-1A 48V TD 230V	3000	2050	8718291 770947 00	9290 008 97606
3000lm, L15	Xitanium 50W LH 0.7-1.5A 48V TD/I 230V	3000	2050	8718291 782360 00	9290 009 04106
3000lm, L15	LED Driver 50W 0.7-1.5A 44V I 230V *	3000	2050	692341 0748277 00	9290 008 92606
4500lm, L19	Xitanium 50W LH 0.7-1.5A 48V TD/I 230V	4500	4870	871829 1782360 00	9290 009 04106
4500lm, L19	LED Driver 50W 0.7-1.5A 44V I 230V *	4500	4870	692341 0748277 00	9290 008 92606
4500lm, L19	Xitanium 50W/s 0.9-1.4A 48V 230V	4500	4870	8718291 777588 00	9290 008 99306

* Driver type Xitanium mini driver (/m) with type poke-in resistor, others with JST.
Note: availability to be checked with your local Philips representative.

Rset

Rset	Type	Value (Ω)	EOC code	12NC code
Fortimo LED Rset 300 mA	Poke-in	560	8718696 401934 00	9290 009 12506
Fortimo LED Rset 300 mA connector	JST	560	8718696 401958 00	9290 009 12606
Fortimo LED Rset 500 mA	Poke-in	1200	8718696 401996 00	9290 009 12706
Fortimo LED Rset 500 mA connector	JST	1200	8718696 402016 00	9290 009 12806
Fortimo LED Rset 750 mA	Poke-in	2050	8718696 402030 00	9290 009 12906
Fortimo LED Rset 750 mA connector	JST	2050	8718696 402054 00	9290 009 13006
Fortimo LED Rset 950 mA	Poke-in	3090	8718696 402078 00	9290 009 13106
Fortimo LED Rset 950 mA connector	JST	3090	8718696 402092 00	9290 009 13206
Fortimo LED Rset 1200 mA	Poke-in	4870	8718696 402115 00	9290 009 13306
Fortimo LED Rset 1200 mA connector	JST	4870	8718696 402139 00	9290 009 13406



