

# PHILIPS

## LED Modules

### Fortimo DLM Flex L2

#### 36 G1 NA



#### **Fortimo LED DLM flex L2 expands solution beyond downlight applications.**

The Philips Fortimo LED downlight module (DLM) flex L2 brings even more application possibilities than the previous DLM flex generation. DLM flex L2 expands applications to include high-bay and other sectors. It is a product covered by the Fortimo brand promise of light quality and a smart system. We provide you with a system proposition ranging from 1,100 lm to 10,000 lm, from high performance to low cost, all in one flexible portfolio. Models can be easily tuned to meet your needs through Philips Advance Xitanium LED drivers with SimpleSet technology.

Commercial Product Name	12NC
Fortimo LED DLM Flex L2 827 36 G1 NA	929000750413
Fortimo LED DLM Flex L2 830 36 G1 NA	929000750513
Fortimo LED DLM Flex L2 835 36 G1 NA	929000750613
Fortimo LED DLM Flex L2 840 36 G1 NA	929000750713
Fortimo LED DLM Thermal Accessory G1	929000765413
Fortimo LED DLM Flex Cover NA	929000765313

For drivers' compatibility, please visit our Easy Design-In Tool:  
<https://www.na.easydesignintool.philips.com/select-module/24;jsessionid=B48812A82EB79F03366908351B479626>

# Fortimo LED DLM L2 36 G1 NA

## Features

- Wide lumen output range: from 1,100 to 10,000lm
- Variation of color temperatures (2700K, 3000K, 3500K and 4000K)
- Lifetime > 50,000hrs<sup>1</sup> (B50L70 at Tc 85°C)
- High color consistency: 3SDCM
- Various mechanical interface options
  - Enabling standard or slim designs
  - Self-cooled option for up to 3,000lm<sup>2</sup>
  - No additional heat sink needed

## Benefits

- High energy efficiency (up to 159lm/W at Tc 85°C), also enabling excellent thermal management
- Flexible output/performance when set through our Philips Advance Xitanium LED drivers with SimpleSet technology
- Limited glare
- Integrated thermal protection, enabling universal voltage fixtures and low power consumption (compliant with UL SREC/991)
- Reduced effort with thermal design and testing<sup>3</sup>
- 5-year limited system warranty with Philips Advance Xitanium LED drivers<sup>4</sup>

## Application

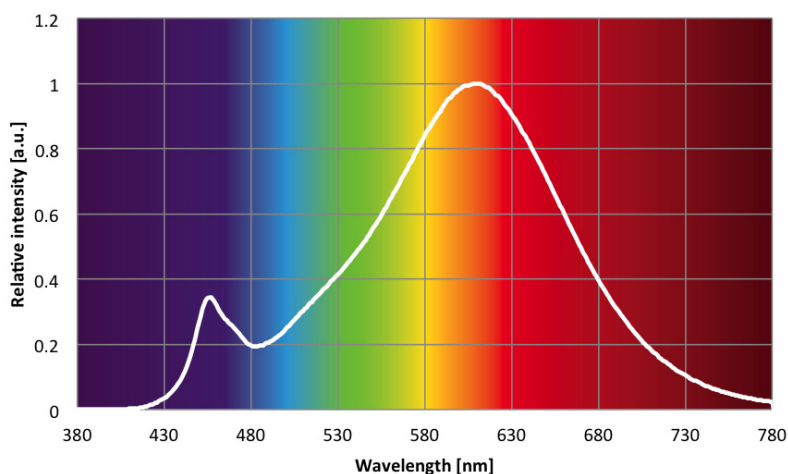
- Recessed downlights
  - Offices
  - Hospitality
  - Education
  - Retail
- High-bay
  - Warehouses
  - Industries
- Surface mount luminaries
  - Residential
  - Hospitality
  - Offices

## Optical Characteristics – Table per CCT

Fortimo LED DLM Flex L2 827 36 G1 NA			
Parameter	Typ*	Max**	Unit
Luminous Flux	2,300	4,724	lm
Luminous Flux with DLM Flex Cover	1,909	3,921	lm
Module Efficiency	132	104	lm/W
Module Efficiency with DLM Flex Cover	110	86	lm/W
Nominal Current	511	1200	mA
Correlated Color Temperature	2700		K
Color Consistency	3		SDCM
CRI	>80		-
Radiation Angle	120		deg

Note: \*Specifications stated at Tc nom = 85°C

\*\*Maximum values within lifetime/warranty (at maximum Tc 75°C)



1. Average rated life is based on engineering data testing and probability analysis. The hours are at the B50, L70 point - 50,000 hours life with 70% lumen maintenance at Tc point.
2. When combined with Fortimo LED thermal accessory G1. Please refer to product design-in guide for design instructions and restrictions.
3. When combined with the Fortimo thermal accessory G1, the need for an external heat sink is eliminated (for up to 3,000lm, according to the product design-in guide rules), resulting in simplified thermal management design and testing. The Fortimo DLM flex design-in guide is available at <http://www.usa.lighting.philips.com/products/oem-components/led-modules-literature.html>.
4. View limited warranty at <http://www.usa.lighting.philips.com/support/support/warranty> for details and restrictions.

# Fortimo LED DLM L2 36 G1 NA

## Optical Characteristics – Table per CCT

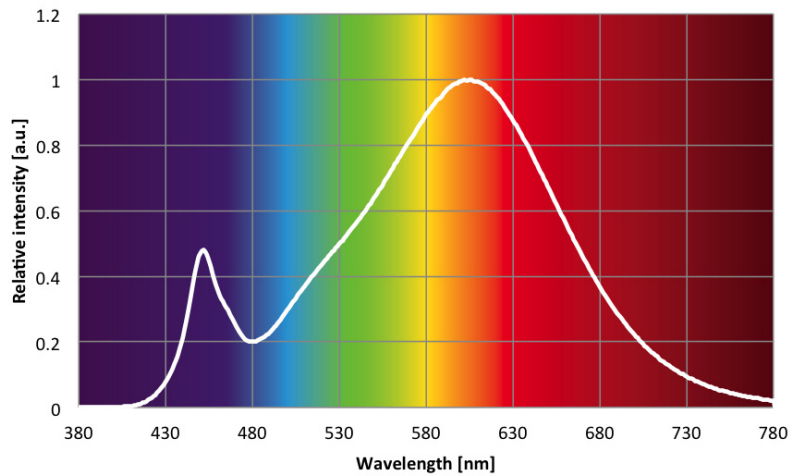
Fortimo LED DLM Flex L2 830 36 G1 NA			
Parameter	Typ*	Max**	Unit
Luminous Flux	2,420	4,961	lm
Luminous Flux with DLM Flex Cover	2,009	4,117	lm
Module Efficiency	139	109	lm/W
Module Efficiency with DLM Flex Cover	115	91	lm/W
Nominal Current	511	1200	mA
Correlated Color Temperature		3000	K
Color Consistency		3	SDCM
CRI		>80	-
Radiation Angle		120	deg

Note: \*Specifications stated at Tc nom = 85°C

\*\*Maximum values within lifetime/warranty (at maximum Tc 75°C)

Tolerance for flux data is -10% +20%.

Tolerance for efficacy data is ±10%.



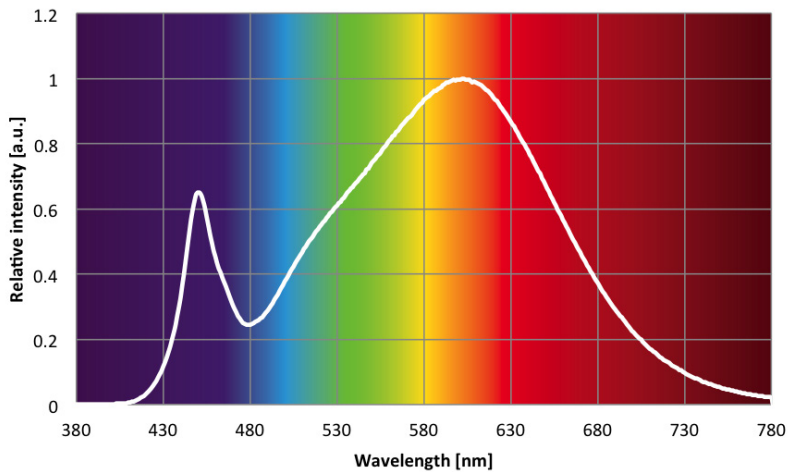
# Fortimo LED DLM L2 36 G1 NA

## Optical Characteristics – Table per CCT

Fortimo LED DLM Flex L2 835 36 G1 NA			
Parameter	Typ*	Max**	Unit
Luminous Flux	2,420	4,961	lm
Luminous Flux with DLM Flex Cover	2,009	4,117	lm
Module Efficiency	139	109	lm/W
Module Efficiency with DLM Flex Cover	115	91	lm/W
Nominal Current	511	1200	mA
Correlated Color Temperature		3500	K
Color Consistency		3	SDCM
CRI		>80	-
Radiation Angle		120	deg

Note: \*Specifications stated at Tc nom = 85°C

\*\*Maximum values within lifetime/warranty (at maximum Tc 75°C)



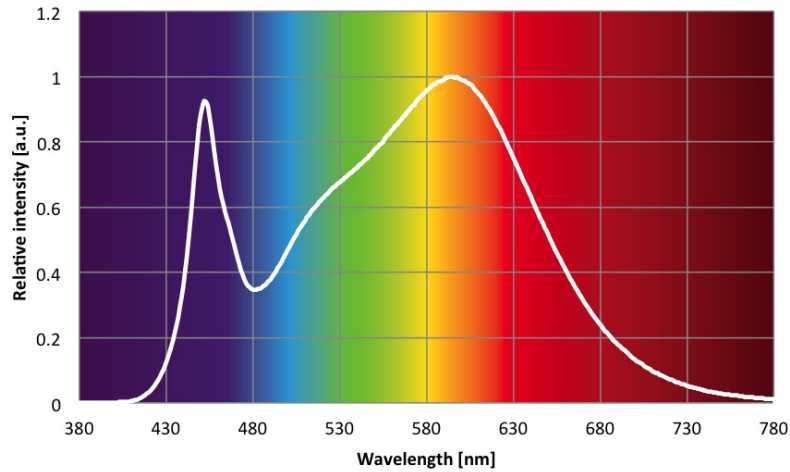
# Fortimo LED DLM L2 36 G1 NA

## Optical Characteristics – Table per CCT

Fortimo LED DLM Flex L2 840 36 G1 NA			
Parameter	Typ*	Max**	Unit
Luminous Flux	2,600	5,333	lm
Luminous Flux with DLM Flex Cover	2,158	4,426	lm
Module Efficiency	149	117	lm/W
Module Efficiency with DLM Flex Cover	124	97	lm/W
Nominal Current	511	1200	mA
Correlated Color Temperature	4000		K
Color Consistency	3		SDCM
CRI	>80		-
Radiation Angle	120		deg

Note: \*Specifications stated at Tc nom = 85°C

\*\*Maximum values within lifetime/warranty (at maximum Tc 75°C)



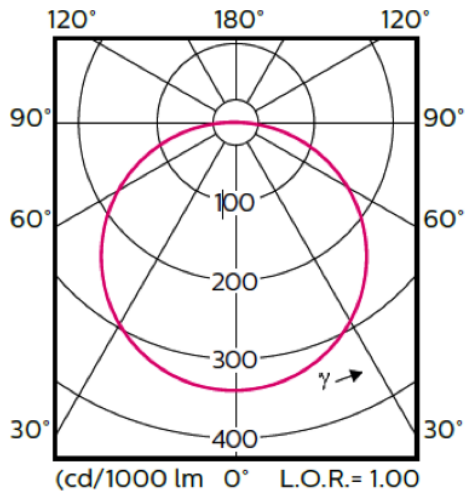
# Fortimo LED DLM L2 36 G1 NA

## Beam Shape

The Philips Fortimo LED DLM generates a Lambertian beam shape, which is a pragmatic starting point for OEMs wishing to design secondary optics.

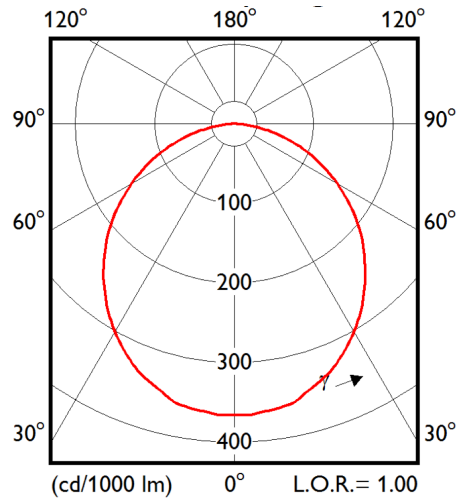
### Polar Intensity Diagram

DLM Flex L2 36



### Polar Intensity Diagram

DLM Flex L2 36 with DLM Flex Cover



## Electrical Characteristics

Parameter	Min	Typ	Max	Unit
Current		511		mA
Forwards Voltage	32.2	34.1	36.5	V
Power Consumption	16.5	17.4	18.7	W

## Lifetime

Parameter	Min	Unit
Lumen Maintenance B50L70	50,000	hrs

Note: Lifetime stated at Tc nom = 85°C and nominal current of module

Parameter	Nominal <sup>2</sup>	Max <sup>4</sup>	Max. Current <sup>5</sup>
Tc [°C]	85	95	75

3. Nominal value at which performance is specified.
4. Maximum value for safety.
5. Maximum TC allowed at maximum current within warranty window

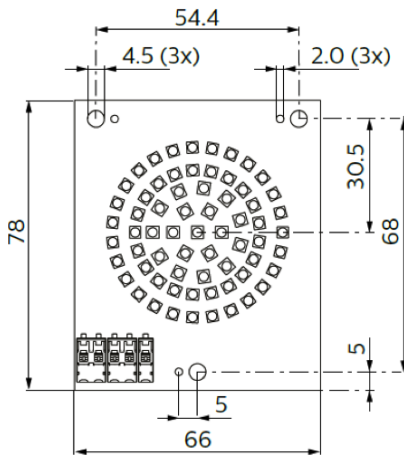
# Fortimo LED DLM L2 36 G1 NA

## Abs Max Ratings

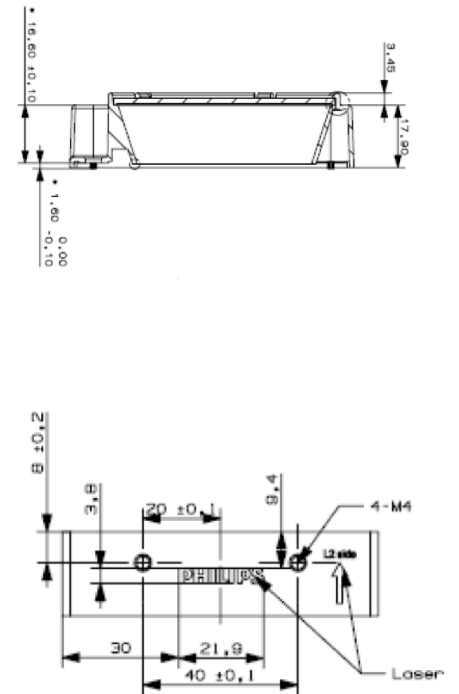
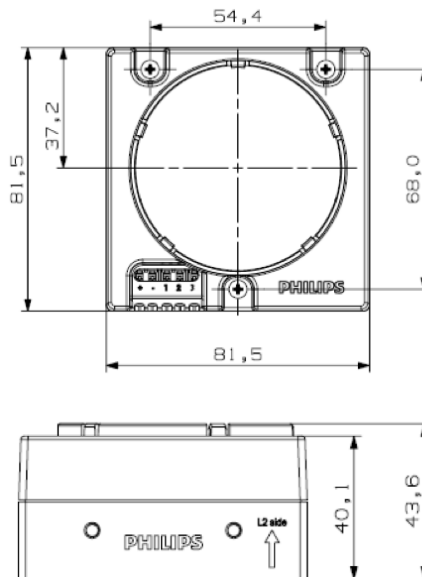
Parameter	Min	Typ	Max	Unit
Current I <sub>max</sub>			1200	mA
Case Temperature T <sub>c</sub> Max			95	°C
ESD Human Body Model (HBM) Class 3A JESD22-A114-E			1	kV
Storage Temperature	-40		100	°C

## Mechanical Characteristics

### DLM Flex L2 36



### DLM Flex Cover and DLM Thermal Accessory G1



## Application Information

### Compliance and Approval

CSA/ (UL CoA#: E336402)/ UL SREC

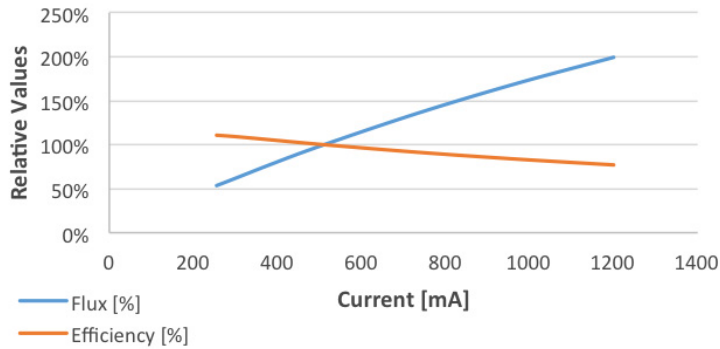
### Application Information

IP Rating	No IP rating
Overheating Protection	UL SREC
Luminaire Class	UL Class 2/ Class II

# Fortimo LED DLM L2 36 G1 NA

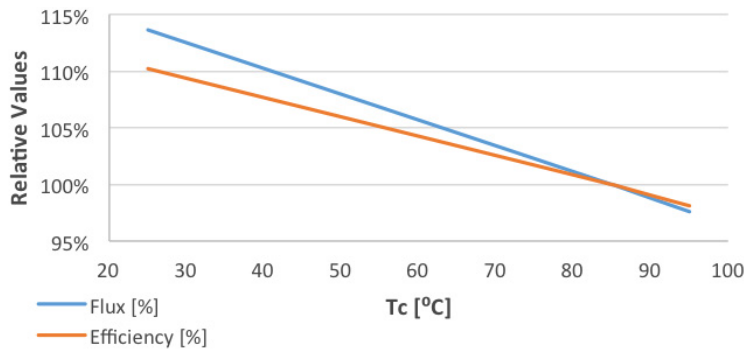
## Tuning Information

### Flux and Efficacy versus Current (at Nominal Temperature) DLM Flex L2 36



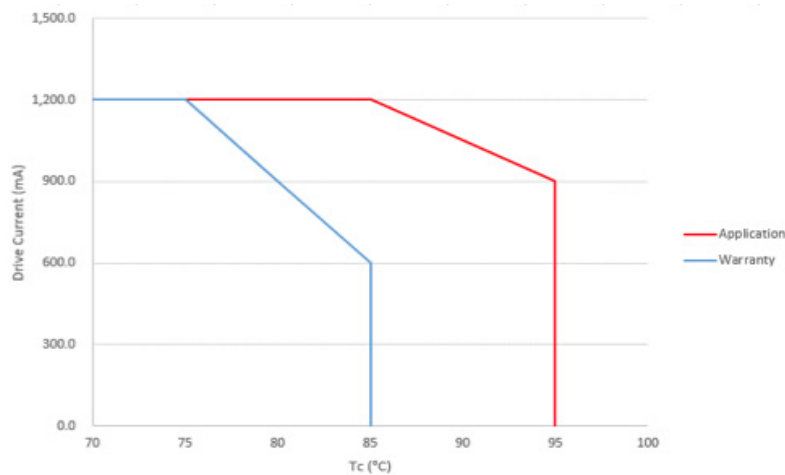
I [mA]	Flux [%]	Efficiency [%]
256	53%	111%
383	77%	106%
<b>511</b>	<b>100%</b>	<b>100%</b>
741	137%	91%
970	170%	84%
1200	200%	77%

### Flux and Efficacy versus Temperature at Tc (at Nominal Current) DLM Flex L2 36



Tc (C)	Flux [%]	Efficiency [%]
95	98%	98%
85	100%	100%
<b>75</b>	<b>102%</b>	<b>102%</b>
25	114%	110%

## Warranty Window



## Warranted Number of Full Thermal Product Cycles @ 25°C Ambient Temperature

Case Temperature Tc [°C]	Number of Cycles
85	5625
80	7500
75	10,000
70	12,500
65	12,500
60	12,500

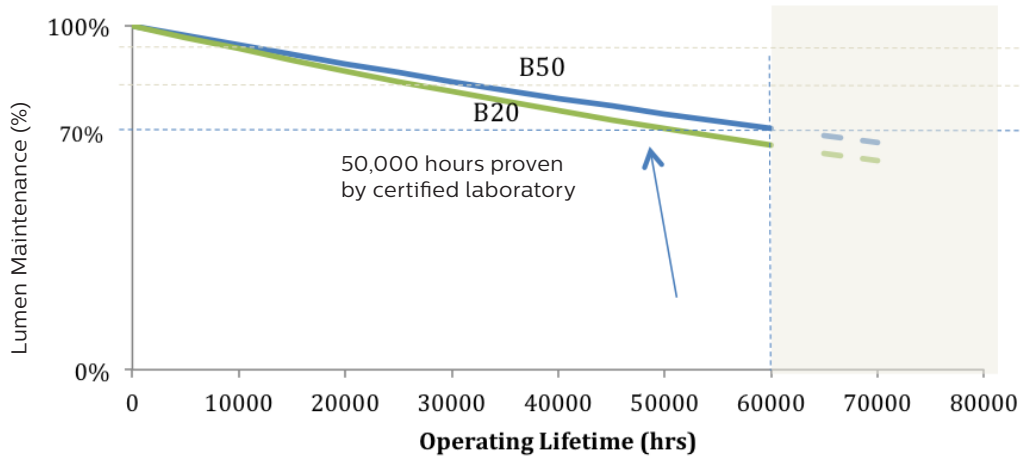


# Fortimo LED DLM L2 36 G1 NA

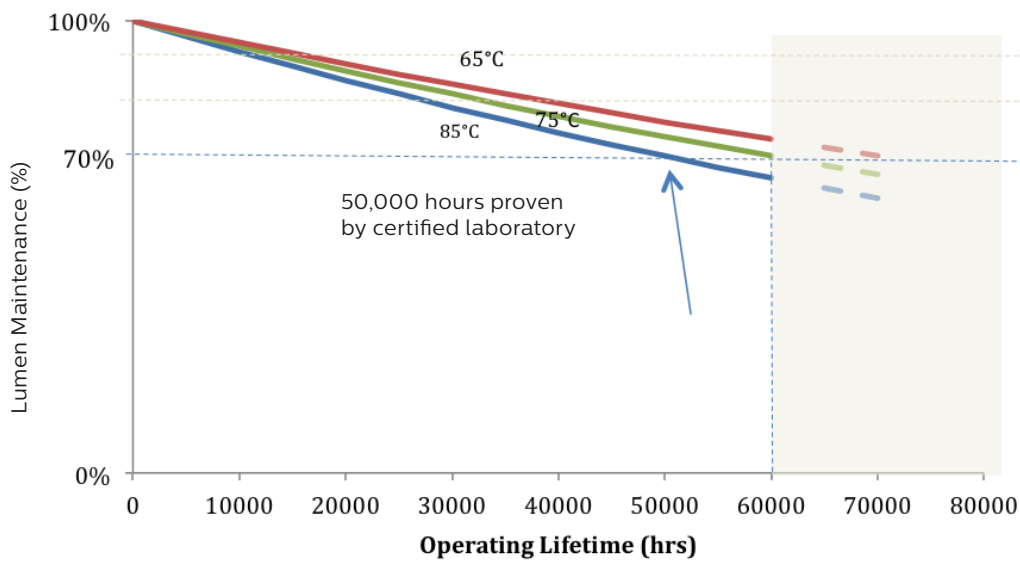
## Lumen Maintenance

### Fortimo LED DLM Flex L2 36 G1 NA

Lumen Maintenance: Nominal Conditions



### Fortimo LED DLM Flex L2 36 G1 NA



© 2016 Philips Lighting Holding B.V. All rights reserved.  
 Philips reserves the right to make changes in specifications and/or to discontinue any product at any time without notice or obligation and will not be liable for any consequences resulting from the use of this publication.  
[philips.com/ledmodulesna](http://philips.com/ledmodulesna)



Philips Lighting North America Corporation  
 10275 W. Higgins Road, Rosemont IL 60018  
 Tel: 800-322-2086 Fax: 888-423-1882  
 Customer/Technical Service: 800-372-3331  
 OEM Support: 866-915-5886

Philips Lighting Canada Ltd.  
 281 Hillmount Rd, Markham, ON, Canada L6C 2S3  
 Tel. 800-668-9008