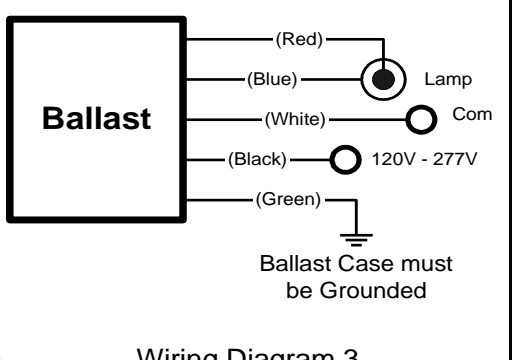
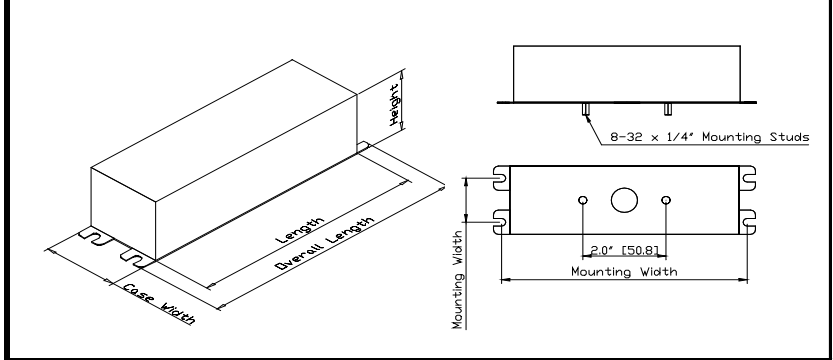


	e-Vision® Electronic Ballast for Metal Halide Lamps	Catalog Number: IMH-50-E For 50W Metal Halide Lamps ANSI C193, M110 120-277V 50/60Hz Electronic Status: RELEASED
---	--	--

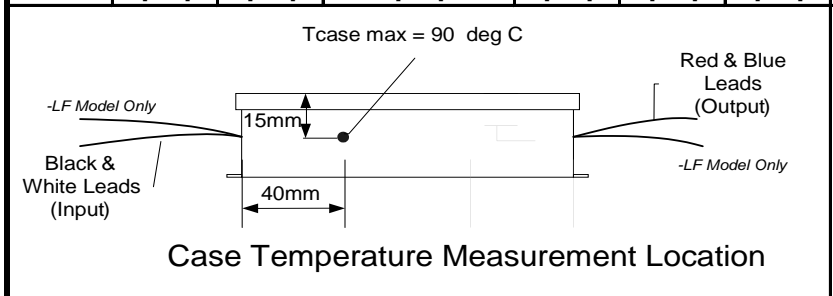
DIMENSIONS AND DATA

Lamp		Input Volts	Catalog Number*	Line Current (Amps)	Input Power (Watts)	Min Power Factor	Wiring Diag	Fig.	Weight (lb)	Max. Distance to Lamp (ft)
Number	Watts									
50W Watt Lamp, ANSI Code C193, M110 Minimum Starting Temp -20°C/-4°F										
1	50	120	IMH-50-E-XXX	0.48	57	0.9	3	E	0.6	5
		277		0.20	56					



Case Figure	Overall Length	Case Length	Case Width	Height	Mountin Length	Mounting Width
E	140mm [5.5"]	127mm [5.0"]	44mm [1.7"]	30mm [1.2"]	135mm [5.3"]	26mm [1.0"]

Wiring Diagram 3







- INSTALLATION & APPLICATION NOTES:**
- Maximum allowable case temperature is 90°C. See figure above for measurement location
 - Ignition pulse is 4 kV max
 - All leads are 12 inches long
 - Ballast output will shutdown after 20 minutes if lamp fails to ignite
 - Power must be cycled off – then on, after replacing lamp

*Ordering Information	
Order Suffix	Description
-LF	Ballast with side exit leads and mounting feet, Leads exit either end

Data is based on tests performed by Philips Advance in a controlled environment and is representative of relative performance. Actual performance can vary depending on operating conditions. Specifications are subject to change without notice. All specifications are nominal unless otherwise noted.