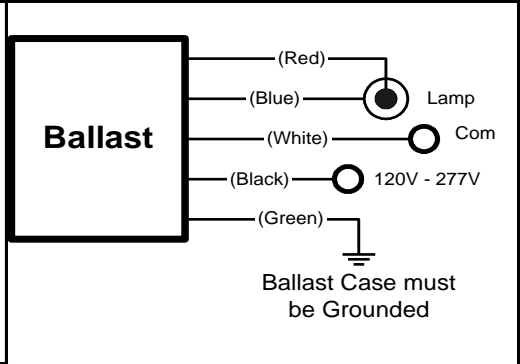
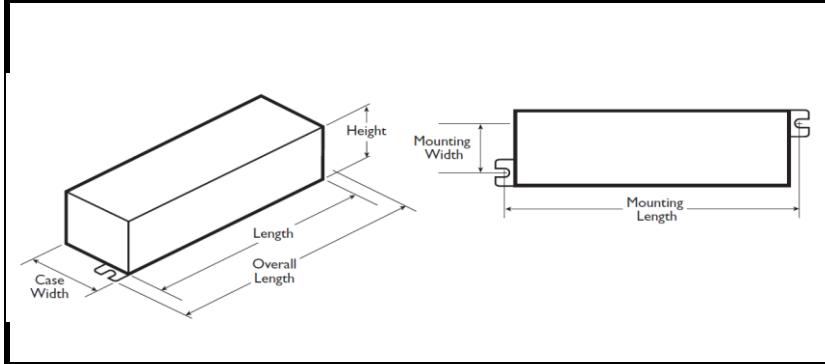
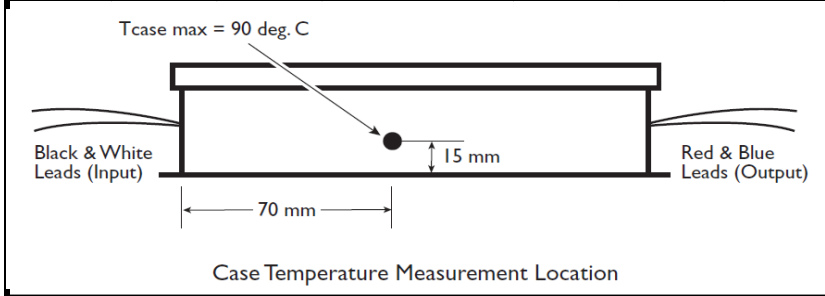


	e-Vision® Electronic Ballast for Metal Halide Lamps	Catalog Number: IMH-50-K For 50W Metal Halide Lamps ANSI C193 120-277 50/60Hz Electronic Status: Released
-----------------------------------------------------------------------------------	------------------------------------------------------------	-----------------------------------------------------------------------------------------------------------------------

DIMENSIONS AND DATA											
Lamp		Input Volts	Catalog Number*	Line Current (Amps)	Input Power (Watts)	Min Power Factor	Wiring Diag	Fig.	Weight (lb)	Max. Distance to Lamp (ft)	
Number	Watts										
50W Watt Lamp, ANSI Code C193 Minimum Starting Temp -20°C/-4°F											
1	50	120	IMH-50K-XXX	0.48	57	0.95	3	K	0.4	4	
		277		0.21	57						



Case Figure	Overall Length	Case Length	Case Width	Height	Mountin Length	Mounting Width
K	119mm [4.74"]	104mm [4.1"]	33mm [1.1"]	30mm [1.2"]	114mm [4.5"]	13.5mm [0.5"]







- INSTALLATION & APPLICATION NOTES:**
- Maximum allowable case temperature is 90°C. See figure above for measurement location
 - Ignition pulse is 4 kV max
 - Black, white, green leads are 6 inches long; lamp leads are 13 inches long.
 - Ballast output will shutdown after 20 minutes if lamp fails to ignite
 - Power must be cycled off – then on, after replacing lamp
 - Connect the red lead to the center terminal of lamp when using screw base lamps

*Ordering Information	
Order Suffix	Description
-LF	Ballast with side exit leads and mounting feet, Leads exit either end
-LFS	Ballast with side exit leads and mounting feet, Leads exit same end
-BLS	Ballast with bottom exit leads and mounting studs

Data is based on tests performed by Philips Advance in a controlled environment and is representative of relative performance. Actual performance can vary depending on operating conditions. Specifications are subject to change without notice. All specifications are nominal unless otherwise noted.