

	e-Vision Electronic Dimming Ballast for Metal Halide Lamps	Catalog Number: HZTMH-210315-R For 210W or 315W Metal Halide Lamps ANSI C183 or C182 347-480V 50/60Hz Electronic Status: RELEASED
---	---	---

DIMENSIONS AND DATA

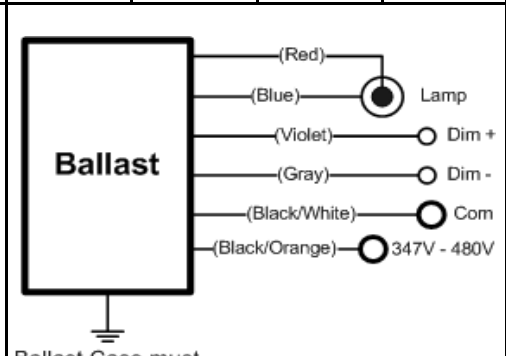
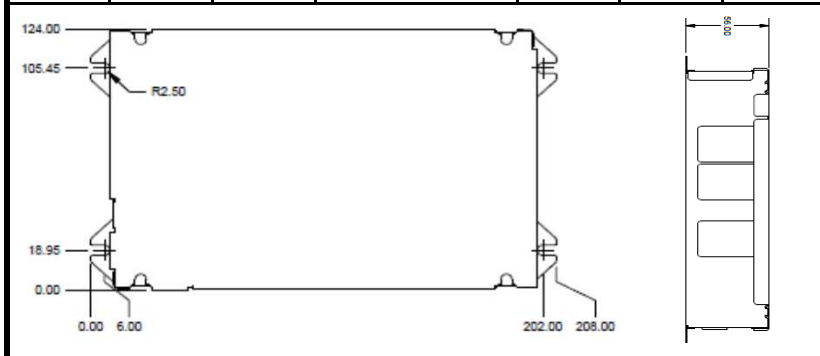
Lamp		Input Volts	Catalog Number*	Line Current (Amps)	Input Power (Watts)	Min Power Factor	Wiring Diag	Fig.	Weight (lb)	Max. Distance to Lamp (ft)
Number	Watts									

210 Watt Lamp, ANSI Code C183 Minimum Starting Temp -20°C/-4°F

1	210	347	HZTMH-210315-R-XXX	0.68	230	0.9	12	R	4.5	6
	210	480		0.49	228					

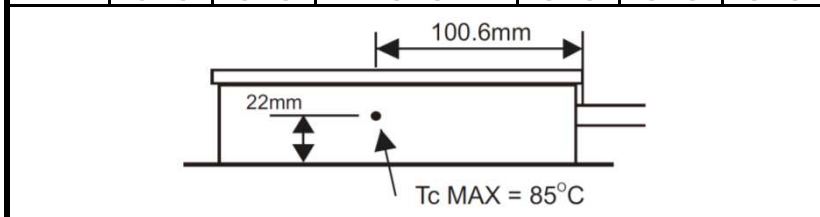
315 Watt Lamp, ANSI Code C182 Minimum Starting Temp -20°C/-4°F

1	315	347	HZTMH-210315-R-XXX	1.02	344	0.9	12	R	4.5	6
	315	480		0.73	342					



Case Figure	Overall Length	Case Length	Case Width	Height	Mounting Length	Mounting Width
R	208mm [8.2"]	191mm [7.5"]	124mm [4.9"]	56mm [2.2"]	196mm [7.7"]	86.5mm [3.4"]

Wiring Diagram 12







EISA Compliant

- INSTALLATION & APPLICATION NOTES:**
1. Maximum allowable case temperature is 85°C. See figure above for measurement location
 2. Ignition pulse is 4 kV max
 3. Wires lengths are 11.0" +/- 1.0"
 4. Ballast output will shutdown after 20 minutes if lamp fails to ignite
 5. Power must be cycled off – then on, after replacing lamp
 6. Ballast automatically operates lamp at 100% power for 10 minutes before allowing lamp to dim. 30 seconds fade to 50%, 3 seconds up to 100%
 7. Minimum dimming level = 50% of nominal lamp power.
 8. Maximum dimming control current is 0.5 mA per ballast
 9. For outdoor applications, additional surge protector rated 10kV, 5kA minimum is recommended
 10. Ballast is preset at factory for 210W operation - use slide switch located on the end of ballast to select lamp wattage

*Ordering Information	
Order Suffix	Description
-LF	Ballast with side exit leads and mounting feet

Data is based on tests performed by Philips Advance in a controlled environment and is representative of relative performance. Actual performance can vary depending on operating conditions. Specifications are subject to change without notice. All specifications are nominal unless otherwise noted.

Philips Lighting Electronics N.A.

10275 West Higgins Road • Rosemont, IL 60018 • www.philips.com/advance

Tel: 800-322-2086 • Fax: 800-423-1882 • Customer Support: 800-372-3331 • OEM Support: 866-915-5886