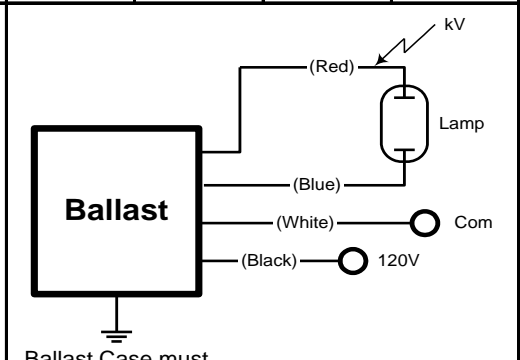
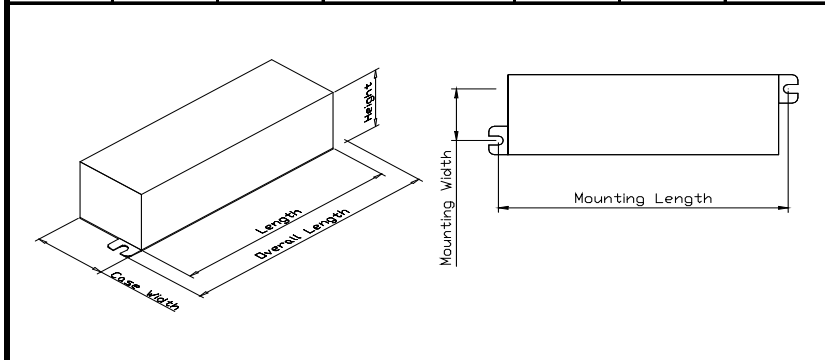
	<b>e-Vision® Electronic Ballast for Metal Halide Lamps</b>	Catalog Number: RMH-39-K For 39W Metal Halide Lamps ANSI C130/M130 or M179/C179 120V 50/60Hz Electronic Status: RELEASED
---	--	--

DIMENSIONS AND DATA										
Lamp		Input Volts	Catalog Number*	Line Current (Amps)	Input Power (Watts)	Min Power Factor	Wiring Diag	Fig.	Weight (lb)	Max. Distance to Lamp (ft)
Number	Watts									

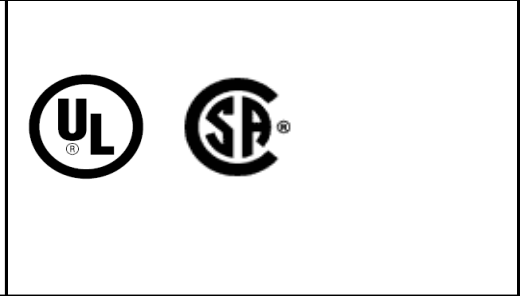
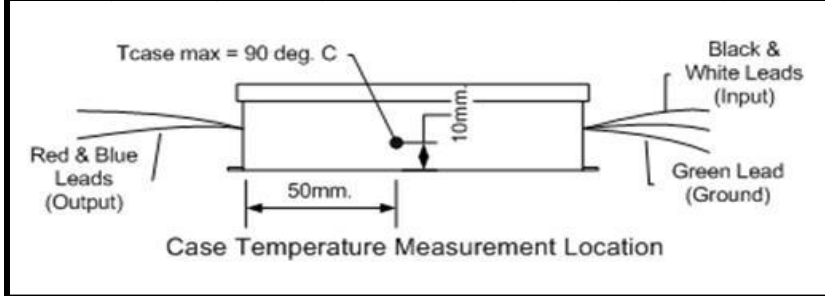
39W Watt Lamp, ANSI Code C130/M130, or C179/M179 Minimum Starting Temp -20°C/-4°F

1	39	120	RMH-39-K-XXX	0.4	45	0.9	4	K	0.4	6
---	----	-----	--------------	-----	----	-----	---	---	-----	---



Case Figure	Overall Length	Case Length	Case Width	Height	Mounting Length	Mounting Width
K	119mm [4.74"]	104mm [4.1"]	33mm [1.1"]	30mm [1.2"]	114mm [4.5"]	13.5mm [0.5"]

Wiring Diagram 4



- INSTALLATION & APPLICATION NOTES:**
1. Maximum allowable case temperature is 90°C. See figure above for measurement location
  2. Ignition pulse is 2 kV max
  3. All leads are 9 inches long
  4. Ballast output will shutdown after 20 minutes if lamp fails to ignite
  5. Power must be cycled off – then on, after replacing lamp
  6. Connect the red lead to the center terminal of lamp when using screw base lamps

*Ordering Information	
Order Suffix	Description
-LF	Ballast with side exit leads and mounting feet, Leads exit either end
-LFS	Ballast with side exit leads and mounting feet, Leads exit same end
-BLS	Ballast with top exit leads and mounting studs

Data is based on tests performed by Philips Advance in a controlled environment and is representative of relative performance. Actual performance can vary depending on operating conditions. Specifications are subject to change without notice. All specifications are nominal unless otherwise noted.

## Philips Lighting Electronics N.A.

10275 West Higgins Road • Rosemont, IL 60018 • [www.philips.com/advance](http://www.philips.com/advance)  
 Tel: 800-322-2086 • Fax: 800-423-1882 • Customer Support: 800-372-3331 • OEM Support: 866-915-5886