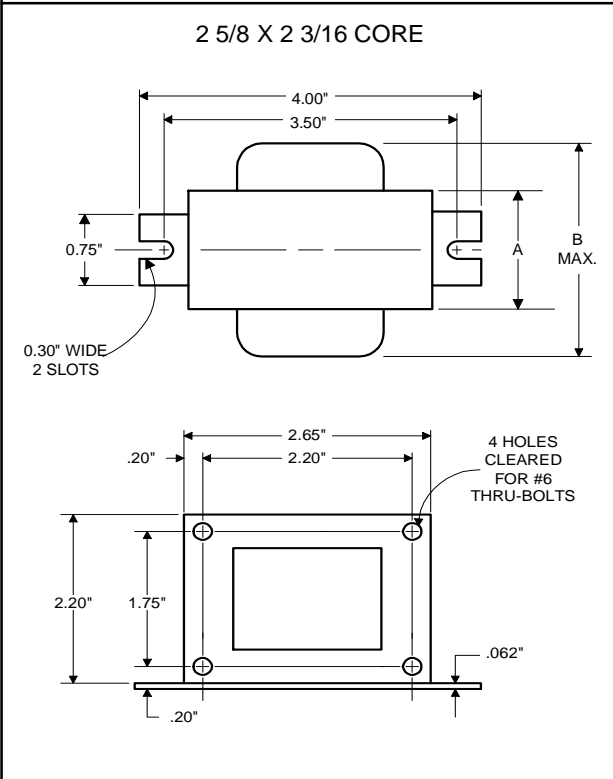




High Pressure  
Sodium  
Lamp Ballast

Catalog Number 71A7807  
For 50W S68  
60 Hz R-HPF  
Status: Active

**DIMENSIONS AND DATA**



INPUT VOLTS	120				
CIRCUIT TYPE	R-HPF				
POWER FACTOR (min)	90%				
REGULATION					
Line Volts	±5%				
Lamp Watts	WITHIN TRAPEZOID				
LINE CURRENT (Amps)					
Operating.....	0.55				
Open Circuit.....	0.90				
Starting.....	0.95				
UL TEMPERATURE RATINGS					
Insulation Class	H(180°C)				
Coil Temperature Code	1029				
MIN. AMBIENT STARTING TEMP.	-40°F or -40°C				
NOM. OPEN CIRCUIT VOLTAGE	120				
INPUT VOLTAGE AT LAMP DROPOUT.....	96				
INPUT WATTS	62				
RECOMMENDED FUSE (Amps).....	3				
CORE and COIL					
Dimension (A)	0.95				
Dimension (B)	2.30				
Weight (lbs.)	2				
Lead Lengths	12"				
CAPACITOR REQUIREMENT					
Microfarads	20.0				
Volts (min.)	120				
Fault Current Withstand (amps)					
60 Hz TEST PROCEDURES (Refer to Advance Test Procedure for HID Ballasts - Form 1270)					
High Potential Test (Volts)					
1 minute	2000				
2 seconds	2500				
Open Circuit Voltage Test (Volts)	114-126				
Short-Circuit Current Test (Amps)					
Secondary Current	1.45-2.20				
Input Current.....	0.60-0.90				

Capacitor: 7C200M12



Capacitance: 20  
Dia/Oval Dim: 1.5  
Height: 2.9  
Temp Rating: 105°C

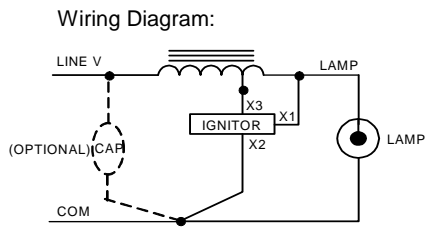


Fig. G

**Ordering Information**

Order Suffix	Description

Ignitor: LI551-H4



Ballast to Lamp Distance (BTL) = 2 feet  
Temp Rating: 105°C

Data is based upon tests performed by Advance Transformer in a controlled environment and representative of relative performance. Actual performance can vary depending on operating conditions. Specifications are subject to change without notice.