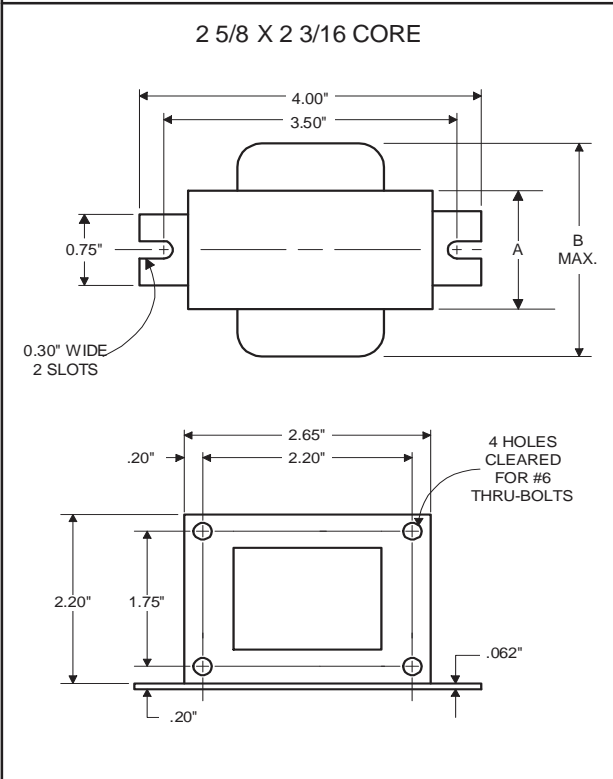




High Pressure  
Sodium  
Lamp Ballast

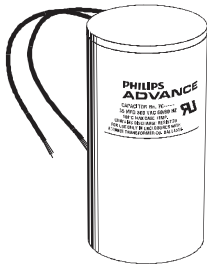
Catalog Number 71A7907B  
For 70W S62  
60 Hz R-HPF  
Status: Active

**DIMENSIONS AND DATA**



|                                                                                      |                  |   |   |   |   |
|--------------------------------------------------------------------------------------|------------------|---|---|---|---|
| INPUT VOLTS                                                                          | 120              |   |   |   |   |
| CIRCUIT TYPE                                                                         | R-HPF            |   |   |   |   |
| POWER FACTOR (min)                                                                   | 90%              |   |   |   |   |
| REGULATION                                                                           |                  |   |   |   |   |
| Line Volts                                                                           | ±5%              |   |   |   |   |
| Lamp Watts                                                                           | WITHIN TRAPEZOID |   |   |   |   |
| LINE CURRENT (Amps)                                                                  |                  |   |   |   |   |
| Operating.....                                                                       | 0.75             |   |   |   |   |
| Open Circuit.....                                                                    | 1.30             |   |   |   |   |
| Starting.....                                                                        | 0.90             |   |   |   |   |
| UL TEMPERATURE RATINGS                                                               |                  |   |   |   |   |
| Insulation Class                                                                     | H(180°C)         |   |   |   |   |
| Coil Temperature Code                                                                | 1029             | A |   |   |   |
| MIN. AMBIENT STARTING TEMP.                                                          | -40°F or -40°C   |   |   |   |   |
| NOM. OPEN CIRCUIT VOLTAGE                                                            | 120              |   |   |   |   |
| INPUT VOLTAGE AT LAMP DROPOUT.....                                                   | 96               |   |   |   |   |
| INPUT WATTS                                                                          | 86               |   |   |   |   |
| RECOMMENDED FUSE (Amps).....                                                         | 3                |   |   |   |   |
| CORE and COIL                                                                        |                  |   |   |   |   |
| Dimension (A)                                                                        | 1.30             |   |   |   |   |
| Dimension (B)                                                                        | 2.90             |   |   |   |   |
| Weight (lbs.)                                                                        | 2                |   |   |   |   |
| Lead Lengths                                                                         | 12"              |   |   |   |   |
| CAPACITOR REQUIREMENT                                                                |                  |   |   |   |   |
| Microfarads                                                                          | 28.0             |   |   |   |   |
| Volts (min.)                                                                         | 120              |   |   |   |   |
| Fault Current Withstand (amps)                                                       |                  |   |   |   |   |
| 60 Hz TEST PROCEDURES (Refer to Advance Test Procedure for HID Ballasts - Form 1270) |                  |   |   |   |   |
| High Potential Test (Volts)                                                          |                  |   |   |   |   |
| 1 minute                                                                             | 2000             |   |   |   |   |
| 2 seconds                                                                            | 2500             |   |   |   |   |
| Open Circuit Voltage Test (Volts)                                                    | 114-126          |   |   |   |   |
| Short-Circuit Current Test (Amps)                                                    |                  |   |   |   |   |
| Secondary Current                                                                    | 1.90-2.90        |   |   |   |   |
| Input Current.....                                                                   | 0.65-1.05        | - | - | - | - |

Capacitor: 7C280M12



Capacitance: 28  
Dia/Oval Dim: 1.5  
Height: 2.9  
Temp Rating: 105°C

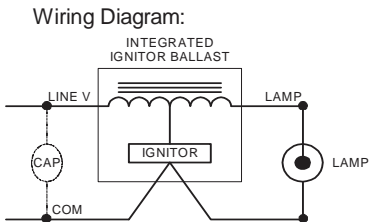


Fig. H

**Ordering Information**

Ignitor: INTEGRAL

An ignitor integral to the core and coil assembly is used to start the lamp.

Ballast to Lamp Distance (BTL) = 2 feet  
Temp Rating: 125°C

| Order Suffix | Description |
|--------------|-------------|
|              |             |

Data is based upon tests performed by Advance Transformer in a controlled environment and representative of relative performance. Actual performance can vary depending on operating conditions. Specifications are subject to change without notice.