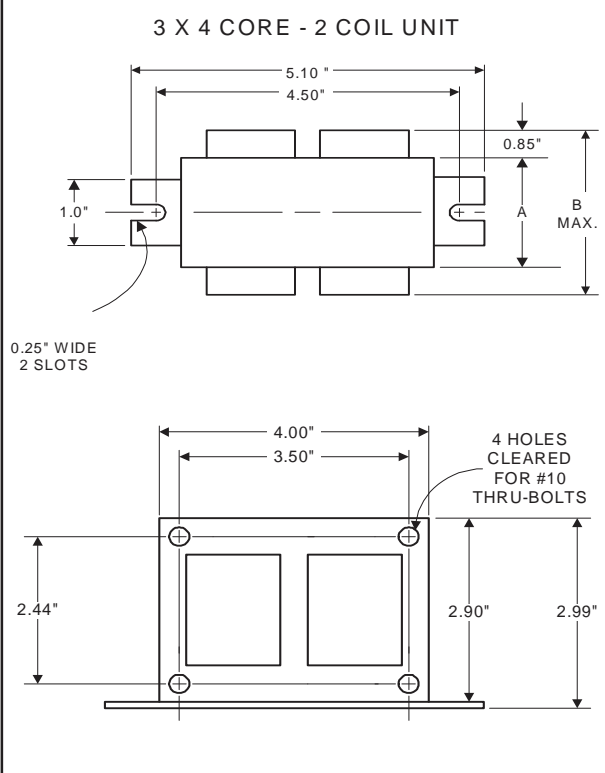




High Pressure
Sodium
Lamp Ballast

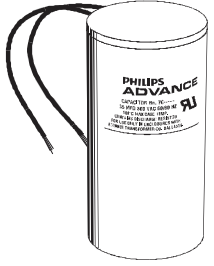
Catalog Number 71A79J3
For 70W S62
60 Hz CWA
Status: Active

DIMENSIONS AND DATA

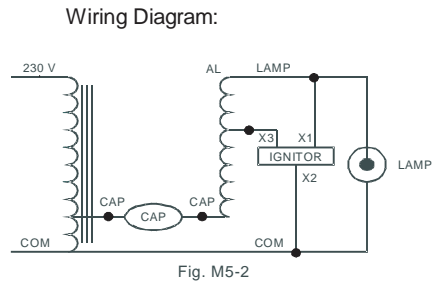


INPUT VOLTS	230				
CIRCUIT TYPE	CWA				
POWER FACTOR (min)	90%				
REGULATION					
Line Volts	±10%				
Lamp Watts	±10%				
LINE CURRENT (Amps)					
Operating.....	0.45				
Open Circuit.....	0.13				
Starting.....	0.45				
UL TEMPERATURE RATINGS					
Insulation Class	H(180°C)				
Coil Temperature Code	1029				
MIN. AMBIENT STARTING TEMP.	-40°F or -40°C				
NOM. OPEN CIRCUIT VOLTAGE	110				
INPUT VOLTAGE AT LAMP DROPOUT.....	161				
INPUT WATTS	98				
RECOMMENDED FUSE (Amps).....	2				
CORE and COIL					
Dimension (A)	1.60				
Dimension (B)	3.00				
Weight (lbs.)	5.7				
Lead Lengths	12"				
CAPACITOR REQUIREMENT					
Microfarads	28.0				
Volts (min.)	170				
Fault Current Withstand (amps)					
60 Hz TEST PROCEDURES (Refer to Advance Test Procedure for HID Ballasts - Form 1270)					
High Potential Test (Volts)					
1 minute	2000				
2 seconds	2500				
Open Circuit Voltage Test (Volts)	100-120				
Short-Circuit Current Test (Amps)					
Secondary Current	1.85-2.55				
Input Current.....	0.36-0.54				

Capacitor: 7C280P30RA



Capacitance: 28
Dia/Oval Dim: 1.85
Height: 3.7
Temp Rating: 105°C



Ordering Information

Order Suffix	Description

Ignitor: LI551-H4



Ballast to Lamp Distance (BTL) = 2 feet
Temp Rating: 105°C

Data is based upon tests performed by Advance Transformer in a controlled environment and representative of relative performance. Actual performance can vary depending on operating conditions. Specifications are subject to change without notice.