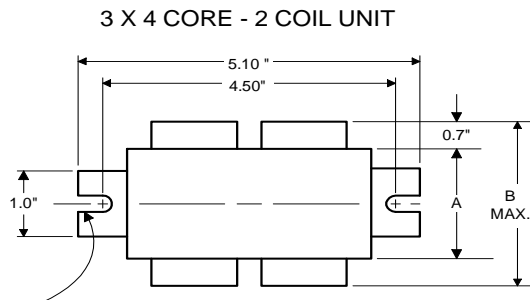




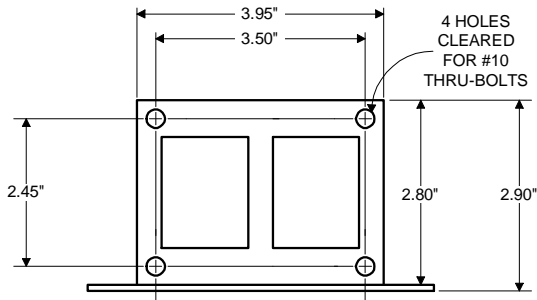
High Pressure
Sodium
Lamp Ballast

Catalog Number 71A80J3
For 100W S54
60 Hz CWA
Status: Active

DIMENSIONS AND DATA

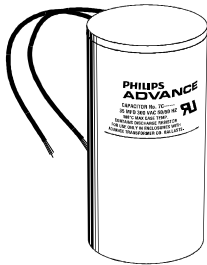


0.25" WIDE
2 SLOTS



INPUT VOLTS	230				
CIRCUIT TYPE	CWA				
POWER FACTOR (min)	90%				
REGULATION					
Line Volts	±10%				
Lamp Watts	WITHIN TRAPEZOID				
LINE CURRENT (Amps)					
Operating.....	0.61				
Open Circuit.....	0.32				
Starting.....	0.42				
UL TEMPERATURE RATINGS					
Insulation Class	H(180°C)				
Coil Temperature Code	1029				E
MIN. AMBIENT STARTING TEMP.	-40F or -40°C				
NOM. OPEN CIRCUIT VOLTAGE	118				
INPUT VOLTAGE AT LAMP DROPOUT.....	164				
INPUT WATTS	136				
RECOMMENDED FUSE (Amps).....	2				
CORE and COIL					
Dimension (A)	2.00				
Dimension (B)	3.30				
Weight (lbs.)	7.5				
Lead Lengths	12"				
CAPACITOR REQUIREMENT					
Microfarads	34.0				
Volts (min.)	170				
Fault Current Withstand (amps)					
60 Hz TEST PROCEDURES (Refer to Advance Test Procedure for HID Ballasts - Form 1270)					
High Potential Test (Volts)					
1 minute	2000				
2 seconds	2500				
Open Circuit Voltage Test (Volts)	106-130				
Short-Circuit Current Test (Amps)					
Secondary Current	2.65-3.20				
Input Current.....	0.29-0.43				

Capacitor: 7C340P24



Capacitance: 34
Dia/Oval Dim: 1.75
Height: 3.75
Temp Rating: 105°C

Wiring Diagram:

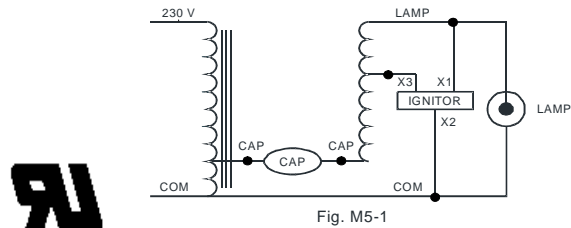


Fig. M5-1

Ordering Information

Order Suffix	Description

Ignitor: LI551-J4



Red (X1)
White (X2)
Blue (X3)

Ballast to Lamp Distance
(BTL) = 5 feet
Temp Rating: 105°C

Data is based upon tests performed by Advance Transformer in a controlled environment and representative of relative performance. Actual performance can vary depending on operating conditions. Specifications are subject to change without notice.

ADVANCE TRANSFORMER CO.

O'HARE INTERNATIONAL CENTER · 10275 WEST HIGGINS ROAD · ROSEMONT, IL 60018
Customer Support/Technical Service: Phone: 800-372-3331 · Fax: 847-768-7768
Corporate Offices: Phone: 800-322-2086

06/14/12