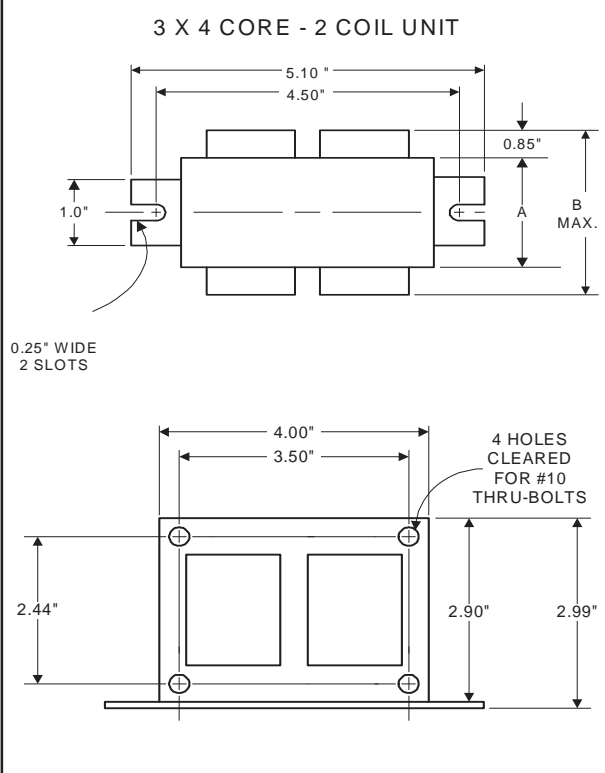




High Pressure  
Sodium  
Lamp Ballast

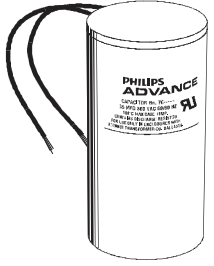
Catalog Number 71A80J9  
For 100W S54  
60 Hz CWA  
Status: Active

**DIMENSIONS AND DATA**

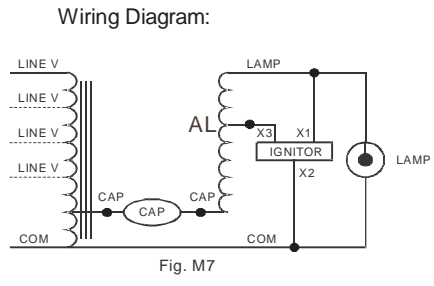


INPUT VOLTS	220	240			
CIRCUIT TYPE	CWA				
POWER FACTOR (min)	90%				
REGULATION	±10%				
Line Volts	WITHIN TRAPEZOID				
Lamp Watts	WITHIN TRAPEZOID				
LINE CURRENT (Amps)					
Operating.....	0.59	0.54			
Open Circuit.....	0.36	0.33			
Starting.....	0.33	0.30			
UL TEMPERATURE RATINGS					
Insulation Class	H(180°C)				
Coil Temperature Code	1029				
MIN. AMBIENT STARTING TEMP.	-40°F or -40°C				
NOM. OPEN CIRCUIT VOLTAGE	114				
INPUT VOLTAGE AT LAMP DROPOUT.....	160	167			
INPUT WATTS	124				
RECOMMENDED FUSE (Amps).....	2	2			
CORE and COIL					
Dimension (A)	2.82				
Dimension (B)	4.44				
Weight (lbs.)	8				
Lead Lengths	12"				
CAPACITOR REQUIREMENT					
Microfarads	36.0				
Volts (min.)	180				
Fault Current Withstand (amps)					
60 Hz TEST PROCEDURES (Refer to Advance Test Procedure for HID Ballasts - Form 1270)					
High Potential Test (Volts)					
1 minute	2000				
2 seconds	2500				
Open Circuit Voltage Test (Volts)	105-130				
Short-Circuit Current Test (Amps)					
Secondary Current	2.65-3.25				
Input Current.....	0.19-0.28	0.17-0.26	-	-	-

Capacitor: 7C360P24T1



Capacitance: 36  
Dia/Oval Dim: 1.65  
Height: 3.7  
Temp Rating: 105°C



**Ordering Information**

Order Suffix	Description

Ignitor: LI551-J4



Ballast to Lamp Distance (BTL) = 5 feet  
Temp Rating: 105°C

Data is based upon tests performed by Advance Transformer in a controlled environment and representative of relative performance. Actual performance can vary depending on operating conditions. Specifications are subject to change without notice.