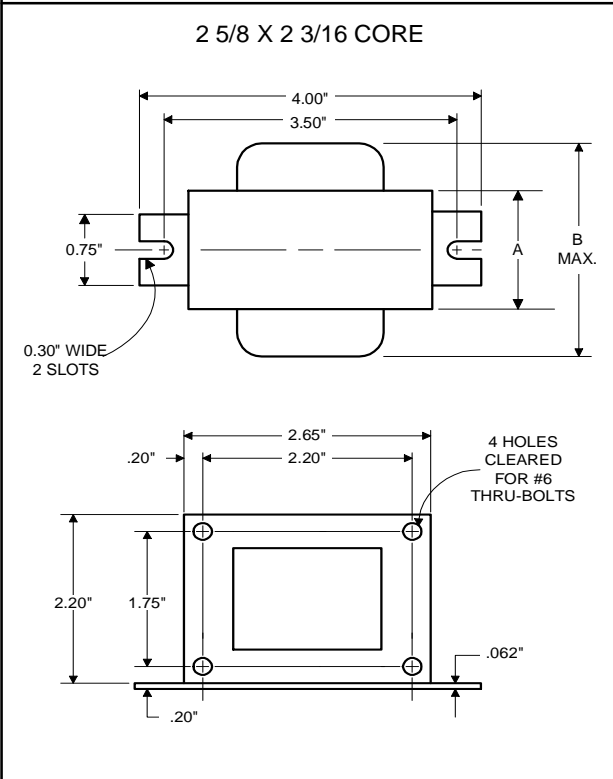




High Pressure
Sodium
Lamp Ballast

Catalog Number 71A8107
For 150W S55
60 Hz R-HPF
Status: Active

DIMENSIONS AND DATA



INPUT VOLTS	120				
CIRCUIT TYPE	R-HPF				
POWER FACTOR (min)	90%				
REGULATION					
Line Volts	±5%				
Lamp Watts	WITHIN TRAPEZOID				
LINE CURRENT (Amps)					
Operating.....	1.50				
Open Circuit.....	2.35				
Starting.....	2.25				
UL TEMPERATURE RATINGS					
Insulation Class	H(180°C)				
Coil Temperature Code	1029				
MIN. AMBIENT STARTING TEMP.	-40F or -40°C				
NOM. OPEN CIRCUIT VOLTAGE	120				
INPUT VOLTAGE AT LAMP DROPOUT.....	96				
INPUT WATTS	170				
RECOMMENDED FUSE (Amps).....	8				
CORE and COIL					
Dimension (A)	2.00				
Dimension (B)	3.30				
Weight (lbs.)	4				
Lead Lengths	12"				
CAPACITOR REQUIREMENT					
Microfarads	55.0				
Volts (min.)	120				
Fault Current Withstand (amps)					
60 Hz TEST PROCEDURES (Refer to Advance Test Procedure for HID Ballasts - Form 1270)					
High Potential Test (Volts)					
1 minute	2000				
2 seconds	2500				
Open Circuit Voltage Test (Volts)	114-126				
Short-Circuit Current Test (Amps)					
Secondary Current	3.65-5.55				
Input Current.....	1.65-2.75				

Capacitor: 7C550P12



Capacitance: 55
Dia/Oval Dim: 1.75
Height: 3.75
Temp Rating: 105°C

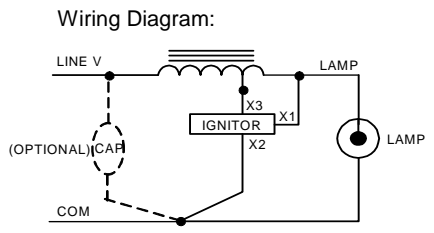


Fig. G

Ordering Information

Order Suffix	Description

Ignitor: LI551-H4



Red (X1)
White (X2)
Blue (X3)

Ballast to Lamp Distance (BTL) = 2 feet
Temp Rating: 105°C

Data is based upon tests performed by Advance Transformer in a controlled environment and representative of relative performance. Actual performance can vary depending on operating conditions. Specifications are subject to change without notice.