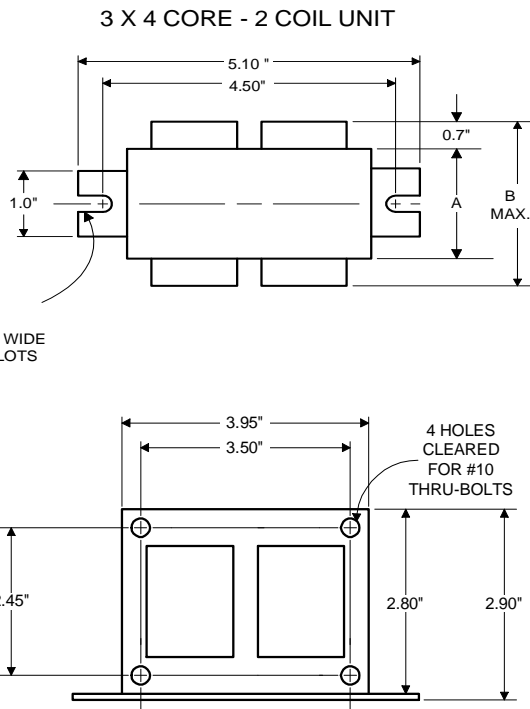




High Pressure  
Sodium  
Lamp Ballast

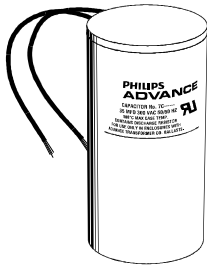
Catalog Number 71A8142T  
For 150W S55  
60 Hz HX-HPF  
Status: Active

**DIMENSIONS AND DATA**



INPUT VOLTS	480				
CIRCUIT TYPE	HX-HPF				
POWER FACTOR (min)	90%				
REGULATION					
Line Volts	±5%				
Lamp Watts	WITHIN TRAPEZOID				
LINE CURRENT (Amps)					
Operating.....	0.42				
Open Circuit.....	0.70				
Starting.....	0.50				
UL TEMPERATURE RATINGS					
Insulation Class	H(180°C)				
Coil Temperature Code	1029	E			
MIN. AMBIENT STARTING TEMP.	-40°F or -40°C				
NOM. OPEN CIRCUIT VOLTAGE	120				
INPUT VOLTAGE AT LAMP DROPOUT.....	384				
INPUT WATTS	188				
RECOMMENDED FUSE (Amps).....	2				
CORE and COIL					
Dimension (A)	3.00				
Dimension (B)	4.30				
Weight (lbs.)	9				
Lead Lengths	12"				
CAPACITOR REQUIREMENT					
Microfarads	14.0				
Volts (min.)	280				
Fault Current Withstand (amps)					
60 Hz TEST PROCEDURES (Refer to Advance Test Procedure for HID Ballasts - Form 1270)					
High Potential Test (Volts)					
1 minute	2000				
2 seconds	2500				
Open Circuit Voltage Test (Volts)	110-130				
Short-Circuit Current Test (Amps)					
Secondary Current	3.95-4.85				
Input Current.....	0.30-0.45				

Capacitor: 7C140M30RA



Capacitance: 14  
Dia/Oval Dim: 1.65  
Height: 2.75  
Temp Rating: 105°C

Wiring Diagram:

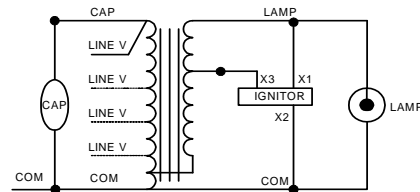


Fig. K

Ordering Information

Order Suffix	Description

Ignitor: LI551-H4



Red (X1)  
White (X2)  
Blue (X3)

Ballast to Lamp Distance (BTL) = 2 feet  
Temp Rating: 105°C

Data is based upon tests performed by Advance Transformer in a controlled environment and representative of relative performance. Actual performance can vary depending on operating conditions. Specifications are subject to change without notice.

**ADVANCE TRANSFORMER CO.**

O'HARE INTERNATIONAL CENTER · 10275 WEST HIGGINS ROAD · ROSEMONT, IL 60018  
Customer Support/Technical Service: Phone: 800-372-3331 · Fax: 847-768-7768  
Corporate Offices: Phone: 800-322-2086

03/03/10