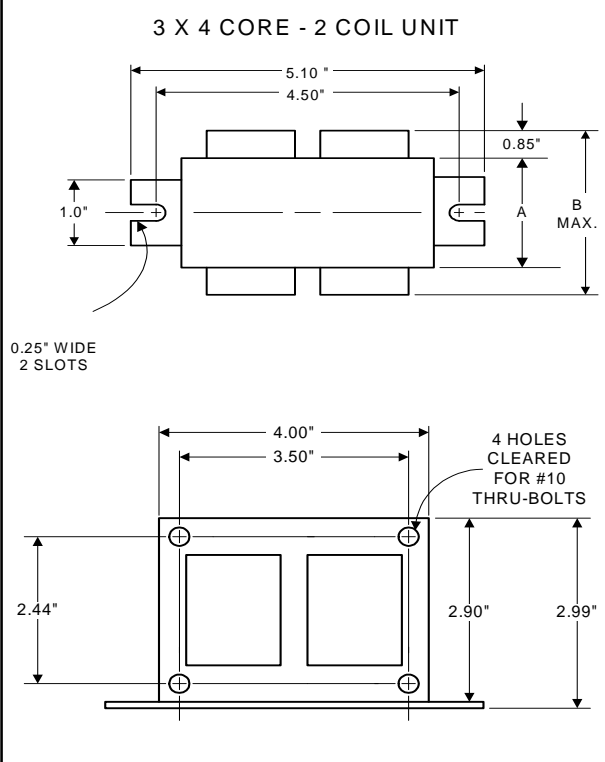




High Pressure  
Sodium  
Lamp Ballast

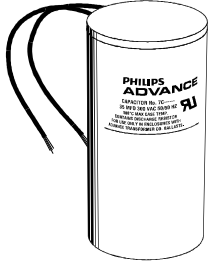
Catalog Number 71A8192  
For 150W S55  
60 Hz HX-HPF  
Status: Active

**DIMENSIONS AND DATA**

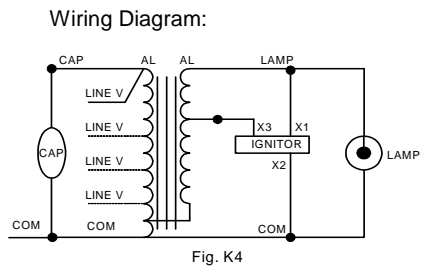


	120	208	240	277
INPUT VOLTS				
CIRCUIT TYPE	HX-HPF			
POWER FACTOR (min)	90%			
REGULATION				
Line Volts	±5%			
Lamp Watts	WITHIN TRAPEZOID			
LINE CURRENT (Amps)				
Operating.....	1.65	0.95	0.83	0.72
Open Circuit.....	2.80	1.60	1.40	1.25
Starting.....	2.00	1.15	1.00	0.85
UL TEMPERATURE RATINGS				
Insulation Class	H(180°C)			
Coil Temperature Code	1029			
MIN. AMBIENT STARTING TEMP.	-40°F or -40°C			
NOM. OPEN CIRCUIT VOLTAGE	120			
INPUT VOLTAGE AT LAMP DROPOUT.....	96	166	192	222
INPUT WATTS	190			
RECOMMENDED FUSE (Amps).....	10	5	5	4
CORE and COIL				
Dimension (A)	2.50			
Dimension (B)	4.20			
Weight (lbs.)	7			
Lead Lengths	12"			
CAPACITOR REQUIREMENT				
Microfarads	14.0			
Volts (min.)	280			
Fault Current Withstand (amps)				
60 Hz TEST PROCEDURES (Refer to Advance Test Procedure for HID Ballasts - Form 1270)				
High Potential Test (Volts)				
1 minute	2000			
2 seconds	2500			
Open Circuit Voltage Test (Volts)	110-130			
Short-Circuit Current Test (Amps)				
Secondary Current	3.95-4.85			
Input Current.....	1.15-1.75	0.65-1.00	0.55-0.85	0.50-0.75

Capacitor: 7C140M30RA



Capacitance: 14  
Dia/Oval Dim: 1.65  
Height: 2.75  
Temp Rating: 105°C



Ignitor: LI551-H4



Ballast to Lamp Distance (BTL) = 2 feet  
Temp Rating: 105°C

**Ordering Information**

Order Suffix	Description

Data is based upon tests performed by Advance Transformer in a controlled environment and representative of relative performance. Actual performance can vary depending on operating conditions. Specifications are subject to change without notice.