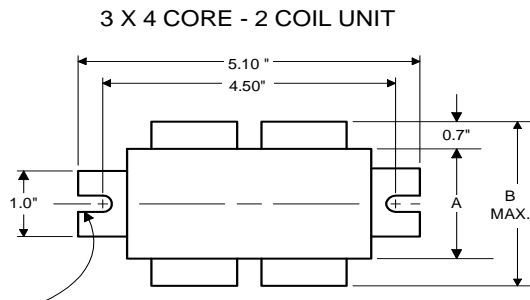




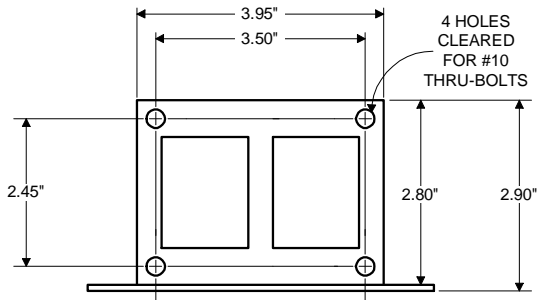
High Pressure
Sodium
Lamp Ballast

Catalog Number 71A8196
For 150W S56
60 Hz CWA
Status: Active

DIMENSIONS AND DATA



0.25" WIDE
2 SLOTS



	120	208	240	277	
INPUT VOLTS					
CIRCUIT TYPE	CWA				
POWER FACTOR (min)	90%				
REGULATION	±10%				
Line Volts	WITHIN TRAPEZOID				
Lamp Watts					
LINE CURRENT (Amps)					
Operating.....	1.75	1.00	0.88	0.75	
Open Circuit.....	0.80	0.50	0.40	0.35	
Starting.....	1.20	0.70	0.60	0.50	
UL TEMPERATURE RATINGS	H(180°C)				
Insulation Class					
Coil Temperature Code	1029				
MIN. AMBIENT STARTING TEMP.	-20°F or -30°C				
NOM. OPEN CIRCUIT VOLTAGE	180				
INPUT VOLTAGE AT LAMP DROPOUT.....	90	156	180	208	
INPUT WATTS	188				
RECOMMENDED FUSE (Amps).....	5	3	3	3	
CORE and COIL					
Dimension (A)	2.50				
Dimension (B)	4.10				
Weight (lbs.)	8.5				
Lead Lengths	12"				
CAPACITOR REQUIREMENT					
Microfarads	20.0				
Volts (min.)	280				
Fault Current Withstand (amps)					
60 Hz TEST PROCEDURES (Refer to Advance Test Procedure for HID Ballasts - Form 1270)					
High Potential Test (Volts)					
1 minute	2000				
2 seconds	2500				
Open Circuit Voltage Test (Volts)	165-200				
Short-Circuit Current Test (Amps)					
Secondary Current	2.20-2.70				
Input Current.....	0.80-1.20	0.45-0.70	0.40-0.60	0.35-0.55	-

Capacitor: 7C200P33-R



Capacitance: 20
Dia/Oval Dim: 1.75
Height: 3.75
Temp Rating: 105°C



Wiring Diagram:

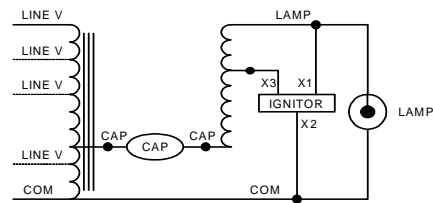


Fig. M

Ordering Information

Order Suffix	Description

Ignitor: LI501-H4



Red (X1)
White (X2)
Blue (X3)

Ballast to Lamp Distance (BTL) = 2 feet
Temp Rating: 105°C

Data is based upon tests performed by Advance Transformer in a controlled environment and representative of relative performance. Actual performance can vary depending on operating conditions. Specifications are subject to change without notice.

ADVANCE TRANSFORMER CO.

O'HARE INTERNATIONAL CENTER · 10275 WEST HIGGINS ROAD · ROSEMONT, IL 60018
Customer Support/Technical Service: Phone: 800-372-3331 · Fax: 847-768-7768
Corporate Offices: Phone: 800-322-2086

05/14/99