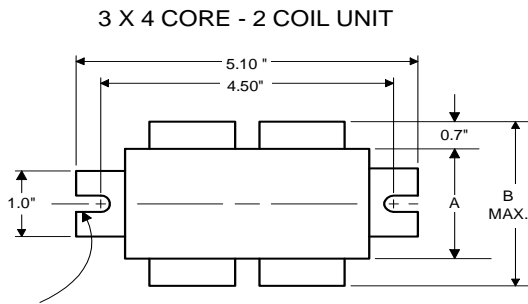




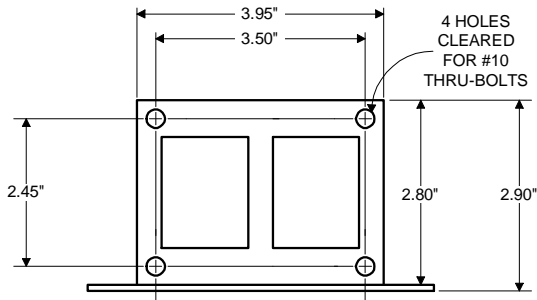
High Pressure
Sodium
Lamp Ballast

Catalog Number 71A81E6
For 150W S55
60 Hz CWI
Status: Active

DIMENSIONS AND DATA

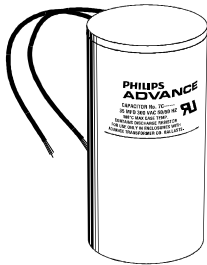


0.25" WIDE
2 SLOTS

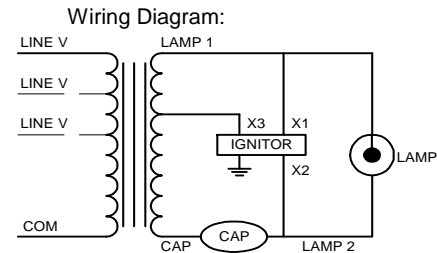


INPUT VOLTS	120	208	240		
CIRCUIT TYPE	CWI				
POWER FACTOR (min)	90%				
REGULATION	±10%				
Line Volts	WITHIN TRAPEZOID				
Lamp Watts					
LINE CURRENT (Amps)					
Operating.....	1.76	1.01	0.88		
Open Circuit.....	1.00	0.60	0.50		
Starting.....	0.90	0.50	0.45		
UL TEMPERATURE RATINGS	H(180°C)				
Insulation Class					
Coil Temperature Code	1029				
MIN. AMBIENT STARTING TEMP.	-40°F or -40°C				
NOM. OPEN CIRCUIT VOLTAGE	105				
INPUT VOLTAGE AT LAMP DROPOUT.....	90	156	180		
INPUT WATTS	190				
RECOMMENDED FUSE (Amps).....	5	3	3		
CORE and COIL					
Dimension (A)	2.60				
Dimension (B)	4.00				
Weight (lbs.)	8.5				
Lead Lengths	12"				
CAPACITOR REQUIREMENT					
Microfarads	52.0				
Volts (min.)	240				
Fault Current Withstand (amps)					
60 Hz TEST PROCEDURES (Refer to Advance Test Procedure for HID Ballasts - Form 1270)					
High Potential Test (Volts)					
1 minute	2000				
2 seconds	2500				
Open Circuit Voltage Test (Volts)	95-115				
Short-Circuit Current Test (Amps)					
Secondary Current	3.75-4.65				
Input Current.....	0.40-0.70	0.23-0.40	0.20-0.35	-	-

Capacitor: 7C520P24



Capacitance: 52
Dia/Oval Dim: 1.75
Height: 5.15
Temp Rating: 105°C



Ordering Information

Order Suffix	Description

Ignitor: LI551-J4



Red (X1)
White (X2)
Blue (X3)

Ballast to Lamp Distance (BTL) = 2 feet
Temp Rating: 105°C

Data is based upon tests performed by Advance Transformer in a controlled environment and representative of relative performance. Actual performance can vary depending on operating conditions. Specifications are subject to change without notice.

ADVANCE TRANSFORMER CO.

O'HARE INTERNATIONAL CENTER · 10275 WEST HIGGINS ROAD · ROSEMONT, IL 60018
Customer Support/Technical Service: Phone: 800-372-3331 · Fax: 847-768-7768
Corporate Offices: Phone: 800-322-2086

06/10/03